

Soberton & Newtown

PARISH MAGAZINE For all the community, delivered FREE to over 700 households

December - January 2025



Cover design: Jonty Sherwill

The Meon Valley Trail
Buddens Lane bridge
February 2024
Photo by Jonty Sherwill

www.sobertonchurch.org.uk www.newtownchurch.org.uk

St. Peter's, Soberton and Holy Trinity, Newtown.

For details of **CHURCH SERVICES**, please refer to page 4

For any enquiries, please contact the following

Benefice of Soberton, Newtown and Hambledon

Priest in charge of Meon Valley Parishes

Revd Andy Davis

revd.andydavis@gmail.com

07709 919602

Curate of Soberton, Newtown and Hambledon

The Reverend Liz Quinn

revliz7@icloud.com

07518 247637

Our Lady Queen of the Apostles, Roman Catholic Church

St. Martin's Street, Bishop's Waltham, SO32 1DN

Father Mario Toma 02380 612430

Parish Office 02380 273882

6.00 pm Saturday (First Mass of Sunday)

9.30 am Sunday

There are Sunday evening services in Winchester and in Fareham.

For further information, please contact Anthony McEwen 01489 877448

The Methodist Circuit. Services in the area are as follows:-

Shirrell Heath 10.30 am & 6.00 pm

Waltham Chase 10.30 am

Bishops Waltham 10.30 am

Swanmore 10.30 am & 6.00 pm

Hambledon 11.00 am & 6.00 pm

MAGAZINE PRODUCTION & COMMITTEE

<u>Chairman</u>	Perry Abbott	02392 632338	cpgabbott@hotmail.com
<u>Editor</u>	Gill Gray	07711 058760	gill.highcroft@btinternet.com
<u>Advertising</u>	Kate Buttriss	07801 441998	kate.buttriss@gmail.com
<u>Circulation</u>	Pete Woodacre	01489 877768	petewoodacre@gmail.com
<u>Treasurer</u>	Anthony McEwen	01489 877448	anthony.mcewen@btinternet.com
<u>Secretary</u>	Paula Hobbs	07469 258022	paulajhobbs@live.co.uk

Typesetting of adverts and printing: Solent Design Studio solentdesignstudio.co.uk

Front cover design: Jonty Sherwill 01329 835161 www.sherwilldesign.com

Contents

4	❖ The Benefice of Soberton, Newtown & Hambledon – Services
5	❖ Foreword ...from Rev Liz
	❖ Crib Service
6	❖ News from the Pews of St Peter's
	❖ Pop in for coffee & cake at St Peter's
7	❖ Christmas Coffee Morning
8	❖ Christmas Craft Workshop
9	❖ Carols and Cheer!
	❖ Road Report
10	❖ Droxford Junior School – ambassador status
11	❖ News from Newtown Soberton School
12-13	❖ LOTS going on at Rookesbury Hall!
14	❖ Roman Sarcophagus – the final decision
15	❖ Messy Church – new!
16	❖ Guiding in Soberton & Newtown
	❖ Soberton & Newtown Ladies' Group
17	❖ Beetle Drive – Guide Hut Committee
18-33	❖ Classified Adverts – please support our local businesses
34	❖ What's on (Village Diary)
35	❖ In your garden ... the preparation deepens!
	❖ RBL Poppy appeal 2024 - Newtown
36-37	❖ New Year Revolution - A fresh start for 2025
37	❖ Meet&Eat
38	❖ RBL - Droxford & District Branch
	❖ Meon Valley u3a
39	❖ Local History - a Walloping Good Story?
40	❖ Home-Start Hampshire
41	❖ MVARA Tai Chi
42	❖ Where have all the insects gone?
43	❖ Soberton and Newtown Good Neighbours Group
	❖ Wickham Society Autumn Programme
	❖ Meon Valley Carers Group
	❖ Meon Valley Heartstart need a new Chair
44-45	❖ Soberton Parish Council - Chairman's notes
45	❖ Apply to become a Parish Councillor
46	❖ Southwick Revival – an update
47	❖ Winchester City Council – District Councillors
48-49	❖ Hampshire County Council
50	❖ Meon Valley Community Bus Timetable and a new bus!
51	❖ Useful information
52	❖ PiNS Christmas Card

**Please e-mail copy for the February / March magazine to
gill.highcroft@btinternet.com**

NEXT COPY DATE - 13th January 2025 (17:00)

**The Benefice of
Soberton,
Newtown &
Hambleton**

Services

**December 2024
January 2025**

Holy Communion or Morning Prayer is celebrated every Wednesday at 0930 at Hambleton with a short service of reflection at 1715.

*Subject to change,
sometimes at short notice*

1 st	0930 1030 1830	Holy Communion Short Family Service Advent Service of the Light	Newtown Hambleton Hambleton
8 th	1100 1100 1600	Holy Communion and Baptism Holy Communion Christingle Service	Soberton Hambleton Hambleton
15 th	0930 1100 1100	Holy Communion Nine Lessons & Carols Service of the Word	Newtown Soberton Hambleton
22 nd	1100 1830	Holy Communion Nine Lessons & Carols	Hambleton Hambleton
24 th		Christmas Eve	
	1700 1800 2200 2300	Good Night Service Crib Service 1 st Communion of Christmas Midnight Communion	Hambleton Soberton Hambleton Soberton
25 th		Christmas Day	
	1000 1100	Holy Communion Holy Communion	Newtown Hambleton
29 th	1000	Benefice Holy Communion	Newtown
		January	
5 th	0800 0930 1030	Holy Communion Holy Communion Epiphany Short Family Gift Service	Hambleton Newtown Hambleton
6 th		Epiphany	
12 th	1100 1100	Holy Communion Holy Communion	Soberton Hambleton
19 th	0930 1100 1100 1830	Holy Communion Morning Worship Service of the Word Evensong	Newtown Soberton Hambleton Hambleton
22 nd	0930	Holy Communion	Soberton
25 th		Conversion of Paul	
26 th	1100 1800	Holy Communion Holy Communion	Hambleton Soberton



Foreword ... from Rev Liz

Can you believe it? Here we are again preparing for Christmas!

Maybe you're sending Christmas cards or Christmas messages. Perhaps you've got a Christmas shopping list as long as your arm or just have to give one present to a special person. Are you panicking about when you're going to put up the decorations? Are you a super organised person with a master plan? Perhaps you're thinking 'what's she on about, I like a calm, no frills ordinary time'!

At St. Peter's and Holy Trinity, Christmas preparations are afoot. The Holy Trinity Stir-Up Sunday Christmas cakes will be maturing nicely. We'll all be able to enjoy a slice after the Christmas services! There are busy preparations for the Children's Christmas Craft Workshop at St. Peter's on 23rd December.

As I write this, it gives me time to take stock. I reflect on my time here in this benefice of Soberton, Newtown and Hambledon and the wider Meon Valley Parishes. It's hard to believe that I've been the curate among you for eight months! What a special time it's been, renewing acquaintances and meeting many of you for the first time. It has, and continues to be, a privilege to be with you in times of joy and times of sorrow. At the end of the summer term, I had fun scooting down the country lanes to end-of-year school services in Hambledon, Newtown-Soberton and Droxford! What a joy to see the children celebrate!

As we know with life, there are challenging times too. Many of you have shared those challenges with me, including health, bereavement and family concerns. Andy, our priest-in-charge of the Meon Valley Parishes (MVP), has had his challenging time too. I'm sure that many of you know he severely injured his ankle. It is taking time to slowly heal. Andy will be on sick leave for some time yet. Both Andy, and all of you who are facing difficult times, continue to be held in prayer.

Looking to the future, I am hopeful that some more priests will be appointed to the Meon Valley Parishes. The plan is for the Bridge Benefice, of Meonstoke, Corhampton, Exton and Droxford, to have a named priest. This is in a similar way to me being with you in our benefice of Soberton, Newtown and Hambledon, and Andy in Swanmore.

As priests, we are all there to serve the whole of the MVP. This is why I have been supporting and taking some services in the Bridge Benefice. Some really good news is that Revd. Ruth Schofield has recently joined the MVP. Ruth will have a particular focus on Soberton and Newtown. She will support my ministry with you there.

And more about the future... We are hoping to start Messy Church in Soberton and Newtown, and Green Shoots in Hambledon. Details will be advertised.

I've been reflecting on the past and the future. Christmas is about doing the same. We're invited to remember and celebrate the birth of Jesus. We are also invited to look forward, to get to know Jesus better. We are invited to enjoy our Christmas Gift that is Jesus, taking time to unwrap our gift and see a little more of him each day. Perhaps Jesus will be the sort of gift that enriches our lives and that we treasure for ever. As an old saying goes: Jesus is for life not just for Christmas!

I look forward to seeing you at some of the Christmas celebrations in church and around the villages.

I know that Andy joins me as I wish you all a very Happy Christmas and Peaceful New Year. With blessings and love to you all.

Liz
Rev Liz Quinn - Curate Meon Valley Parishes

St Peter's, Soberton

Crib Service



Tuesday 24th December 2024, 6 p.m.

Come dressed as an angel, star, sheep or shepherd!

Numbers are limited so come early to avoid disappointment!
Contact luciehjones@btinternet.com for further information.

Participants can join us in the Church Rooms from 5.30.

News From the Pews (of St Peter's)

Funeral and Baptism

November has been a busy month culminating with a week which included the funeral of Mrs Lettice Palmer, the baptism of Henry Phillips and the hosting of the official Royal British Legion Remembrance Sunday service.

Lettice was a well-respected and contributing member of the community for many years. A very skilled flower arranger she organised several Flower Festivals in St Peter's and ran the fete's Garden Stall. A keen singer, with a fine voice, she sang in the church choir, helped create the Millenium Tapestry (now hanging in St Peter's), and was an active Bell Ringer, a member of the Wives Group, assisted with the Film & Lunch Clubs. After down-sizing to Bishops Waltham she maintained her links with Soberton through her many friends but found time to join the choir at St Mary's, Upham. The full church for her funeral was a testament to her faith, commitment to our village and support to Fareham Rotary Club.



A more joyful occasion was the baptism of Henry Phillips on Saturday 9th November. The service was conducted by Rev Ben Phillips, a cousin of Henry's father, and the church was filled with relatives and friends from the family's many overseas appointments. The fact that it was also the birthday of his father, John, made this a very special day.

Remembrance Sunday – 10th November

The annual Royal British Legion service of Remembrance was held in St Peter's on 10th November. This was attended by local residents as well as many from surrounding villages. It was particularly heartening to see plenty of young attending from our local Guides, Brownies, Cubs, Beavers and Droxford School. Each group joined in the laying of wreaths in the church and at our local war memorials.

It was also the first time our Brownies and Guides had paraded their new standards (shown here), which were purchased by a grant from //the Fete profits.



After the service in St Peter's wreaths were laid by the Chairman of the Parish Council, John Hyland, and representatives of the Royal British Legion, Fire Service and Brownies/Guides at both Soberton and Newtown's War Memorials. Each short commemoration included the playing of the Scottish lament, Flowers of the Field, on the bagpipes. The photo to the left shows our Bugler, Standard Bearer and the Piper during the playing of the "Reveille marking the end of 2 minutes silence.



Christmas Services

The Christmas Services are listed on page 4 of the magazine; all will be welcome. Meanwhile we wish everyone a very Joyful Christmas and a very Happy New Year.

Louise & Anthony

POP IN FOR COFFEE AND CAKE

at ST PETER'S CHURCH ROOM, SOBERTON

POP IN FOR COFFEE & CAKE ON THE 2nd AND 4th WEDNESDAY IN THE MONTH

10am – NOON

MEET FRIENDS, MAKE NEW FRIENDS AND HAVE A CHAT



Christmas Coffee Morning

Saturday 7 December 2024

10.30 – 12.00

St Peter's Church Rooms



Bring and buy – Raffle – Produce stall



Christmas Craft Workshop

Monday 23rd December

10am - 1:30pm

St Peter's Church, Soberton

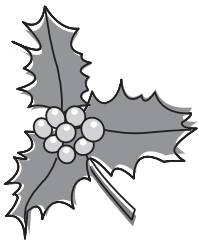
£5 per child

Includes lunch for
parent and child

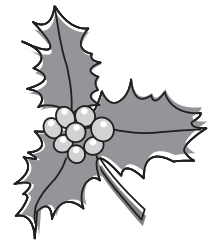
£10 max per family

Contact Jackie to reserve your place

Tel: 07940 649691 • jack@swallow2.plus.com



CAROLS & CHEER!



Thursday 12th December
at Rookesbury Hall Newtown

This year for the first time a two-part event for adults, children and families
Starting at 6.20pm for children, supported by the Lions with Father Christmas
Then from 7.30 the usual evening of carols, mince pies and stollen,
and mulled wine to get Christmas off to a cracking start!

NEW FORMAT

Musical Director - Tamsin Rowlinson
Event organised by the '3Ps'

Please bring your own cup so we can reduce plastic waste
No booking and no entry fee, but cash donations are gratefully accepted to cover our costs
Please also give what you can to support the Lion's charitable efforts

All welcome - we look forward to seeing you!

Road Report

Edited by Jonty Sherwill this feature aims to raise awareness about what we can each do to encourage more considerate driving with benefits for all road users whether on foot, horseback, cycle or behind the wheel or reins. The views expressed are personal and based on 50 years of driving. Friendly feedback is always welcome.

Headlamps under scrutiny

The investigation by TRL (established in 1933 as the UK government's Road Research Laboratory but renamed when privatised in 1996) into over-bright headlamps will be welcomed by many, me included, having been severely dazzled by a van's dipped headlights in static traffic recently, and leaving lingering dots in my sight for minutes afterwards. It is argued that brighter headlamps improve road safety but that's now being challenged. On empty rural roads and motorways the brighter lights are useful, but in my view not helpful in busy traffic sometimes even when dipped. Evidence suggests that bright headlamps may have been a contributory factor in some road accidents.

Whether as a result of this study a solution will be forthcoming or not, there are thousands of cars that already have these as standard fit so could be dazzling us for years to come, unless a vehicle recall is made mandatory, but that seems unlikely. One thing's for sure, a flash of main beam to say 'thank you' may no longer be well received as a friendly gesture!

One might think the French would be vocal about this issue but perhaps there's been a generational change. 50 years ago us Brits painted our headlamps with yellow varnish to avoid upsetting our Gallic neighbours - they disliked our bright white lights!

No doubt many readers will be experienced at driving in Europe or further afield. Getting used to the local road conditions and the style of driving is always interesting and important to keeping safe. A recent two week stay in Malta reminded me how busy the traffic has got there - not much courtesy but with improved roads, in contrast to the UK.

Back home

Which leads me back to the perennial local concern, excessive speeding in the parish, and how to persuade drivers to slow down. With the authorities reluctant to help with traffic calming measures some basic reminders might help - the things we all had to learn to pass our driving test, like a refresher on stopping distances. No matter how sophisticated a modern car's breaking system it cannot beat the basic physics of mass and friction.

But how can messages such as this be broadcast? Commuters through our villages do not read this magazine!

See you next issue and if there are topics you'd like raised, then please let us know.



As you may be aware, from the school's paperwork, website and front of the school – we are a South Downs National Park Ambassador School. But what does that mean actually?

Firstly, we are the only school in Hampshire to have this honour and are one of only three in the National Park. This is the only scheme of its kind in the country so it is also very unique and forward thinking.

The Ambassador School Scheme pulls together schools of excellent practice who are willing to share their practice and are settings who have consistently supported the values of the National Park. They offer high-quality learning experiences and resources that link to the special qualities of the National Park.

As leaders in this area, these schools offer peer-to-peer support, inspiration and host visits for schools, colleges and other learning providers.

Secondly, In terms of Droxford, it is how our curriculum meaningfully engages with the surrounding area and further afield; our enrichment opportunities and also how we offer the opportunity for other schools to come to us and experience what our children benefit from.

Finally this is what we offer other schools.

Droxford Junior School is rural school based in the Western area of the South Downs National Park. Surrounded by farmland and based incredibly close to the beautiful River Meon, one of the South Down's most celebrated chalk streams, the school has worked hard to develop their outdoor provision.

Over recent years, the school has focused on developing their school grounds, led by student voice and supported by community involvement. As a result, their outdoor spaces are engaging, diverse and environmentally friendly, all of which has been achieved on a shoestring budget.

The benefits of their unique locality weaves throughout their curriculum, from river studies in Science to conflict management in English.

Nowadays, Droxford is working hard to open their site to other schools so they too can benefit from this unique location.

Please contact the school to find out more about:

- Developing your school grounds
- Visits to their local river including the use of their river dipping resources and lesson plans
- 1-night residentials on the school field
- Teacher training in the outdoors

To find out more about the Ambassador School project please follow this link

<https://www.southdowns.gov.uk/learning-and-youth-volunteering/schools-groups/south-downs-ambassador-school-scheme/>

Matthew Dampier
Headteacher



It has been a busy but successful start to the year at Newtown Soberton Infant School. We had a full Year R intake this September and I am thrilled to report that our new starters have settled beautifully into school life. Indeed, all our children have come back to school ready and eager for the next step on their educational journey!

Excitingly, this year, we have introduced a School Council, an ECO Council, School Librarians and even a Gardening Club!



School Council

Our School Council, who were voted in by their classes, decided that their first action would be to purchase new playground equipment for all the children to enjoy at break and lunch times. But first they had to raise some funds! The council decided to hold a Cake Sale. They helped me write an email to parents, asking for donations of cakes and informing everyone of when and where the cake sale would take place. They then put up posters around the school, advertising the sale. On Tuesday 22nd October, parents and other family members came in droves to purchase cupcakes, cookies, flapjacks and other sweet treats and the council manned the stall, carefully taking money and giving out change to their customers. They raised a fantastic total of **£202.50!!** In our most recent meeting, the council selected the equipment they would like to purchase and this will hopefully all be arriving on the playground in the next few weeks. The council are now planning their next event – a charity fun run for Children in Need at 100 Acre Woods. We are all looking forward to raising money for a great cause!

ECO Council

Our ECO Council had to apply for their roles! The team are working towards achieving the ECO Green Flag and have recently undertaken an environmental review of our school grounds. The children recognised that we do not have a pond area or any wildflower areas to attract bees and butterflies and have therefore planned to introduce these over the course of the year. They will be working alongside the gardening team to ensure that the bulbs and seeds that are planted will eventually support the biodiversity within our school.

Gardening Team

Our new Gardening Team, who will be working with the wonderful Mrs James, are excited to begin working towards the RHS Gardening Awards. There are 5 levels of award and each level can earn rewards such as seeds and equipment for the school. We are looking forward to seeing some beautiful plants growing in our grounds in Spring!

What's Coming Up?

It is our favourite time of year – getting ready for Christmas! The children are already rehearsing for the Nativity, which this year has many recognisable favourites. I am certain that, as usual, they will all do beautifully.

I am also very pleased that our Year R children are welcoming some of the more elderly members of our community, into school for a Christmas afternoon tea and carolling. This should be lots of fun for all and is a great way to kick off the Christmas season.

As a final treat, we will be taking the children to see Mother Goose at the Winchester Theatre Royal – Christmas jumpers will be compulsory!

From all the staff and children at Newtown Soberton Infant School, I would like to wish everyone in our community a very happy, healthy and safe festive season.

Amy O'Toole
Executive Headteacher
Meon Valley Federation

Free Essential Digital Skills

For Winchester District Residents

Are you feeling left behind in the digital world?

From doctor's appointments to banking and staying connected with friends and family, so much is now online. If you're unsure where to start, you're not alone and we're here to help!



Friendly, informal sessions to boost your confidence
Hands-on support, tailored to your needs
One on one sessions at a location of your choice or group workshops in your area
Free progression courses



Free laptop loans for the duration of the course
Laptop basics and keyboard skills
Staying safe online and avoiding scams
Setting up and using email and online accounts



Video calling with friends, work and family
Managing forms, shopping and banking online
Managing your health online
Job searching and applications plus lots more!



To find out more or register for the course contact the training provider, Workadvisor Ltd

Email: info@workadvisor.co.uk

Tel: 02381550223

Tuesday 7th of January 1100-1300

Tuesday 14th of January 1100-1300

Rookesbury Hall, Church Road, Newtown
PO17 6LE



ESSENTIAL DIGITAL SKILLS
Funded by UK Government



Winchester
City Council

WorkAdvisor



... Rookesbury Hall!

NEW YEAR'S EVE PARTY - TUESDAY 31st DECEMBER 2024

Rookesbury Hall Management Committee would like to invite you to join us at the hall for a

NEW YEAR'S EVE GET TOGETHER with music for Newtown/Soberton residents

It's an opportunity for neighbours, friends and families to meet up and welcome in the New Year.

Feel free to drop in from 8pm onwards, stay for as long or little as you like, carriages at 12.30pm

Bring your own nibbles and drinks. We will provide plates and glasses.

This a free event.

RSVP gregory.cathryn@gmail.com



One of ITV's Most Popular Antique Experts...

Happy to arrange home calls by appointment
karendalmeny@gmail.com



KAREN DALMENY

For enquiries please call:
07712 545 700

BEST CASH PRICES PAID FOR:

Gold & Silver Jewellery & Antiques

Including: Watches, Medal, Bronzes, Oriental Ceramics, Quality Antiques, House Clearance/Insurance Valuations



Saturday 7th December 2024

Back by popular demand, Karen Dalmeny is returning to Rookesbury Hall, PO17 6LE.

She is especially seeking to purchase gold, silver, jewellery and antiques.

We had many happy customers last time!

Drop in between 10am and 2pm - there will be free tea and coffee.

£5.00 per person entry (up to five items).
CASH ONLY accepted for entrance.

Rookesbury Hall Management Committee would like to invite you to join us at our

ANNUAL GENERAL MEETING

on Friday 29th November at 7.00pm at Rookesbury Hall, Church Road, Newtown

Join us for some light refreshments and there will be an opportunity to hear about the hall and share new ideas for its use.

Christmas Wreath Workshop

Rookesbury Hall

£45pp

6th December

6:30pm to 9pm

To book please email kelly@theflowerartist.co.uk, book online at www.theflowerartist.co.uk or message/call 07359 141151

Roman Sarcophagus – the final decision



Many of you will be aware of the History Society's campaign to try and save the Roman Sarcophagus residing in St Peter's churchyard. The History Society has received this letter from the Parochial Church Council which sets out their position and that of the DAC. We would like to thank all those concerned members of the community who contacted the Society giving their unanimous support for the preservation of this 2000 year old artefact.

All names removed.



SOBERTON PAROCHIAL CHURCH COUNCIL

St Peter's Church, School Hill, Soberton, Hampshire SO32 3PF

Soberton & Newtown Local History Society

2nd October 2024

Dear <members>

The future of the Roman Sarcophagus in St Peter's Churchyard has been the subject of debate for many years. It is a remarkable artefact, and a precious link with our shared past in this village and the Meon Valley, and we note how strongly this view was echoed by a number of parishioners responding by email and on the Soberton Echo Facebook page to an article about the Sarcophagus which was published in the August/September 2024 issue of the Soberton parish magazine.

We recall as much of the story of the Sarcophagus as we can.

After its discovery in Brigdon Field (Manor Farm) in 1880, the sarcophagus was moved into St Peter's and the occupant's remains were interred in the churchyard. Due to renovation work in the Curl Chapel, the coffin was subsequently moved outside due to its size to its current location in the late 1960s.

We are grateful to the Soberton and Newtown Local History Society, which expressed concern some 4 years ago that, due to weather erosion and frost damage, the material state of the coffin had deteriorated. The Society recommended moving it back into the church, or erecting a permanent shelter for it in the churchyard. The matter was first discussed by the Parochial Church Council (PCC) at a meeting on 6 October 2021.

St Peter's and the churchyard are 'Grade I Listed' as places of exceptional architectural or historical interest, so any material alterations require listed buildings consent which, in the case of ecclesiastical buildings, is devolved to the (Portsmouth) Diocesan Advisory Committee (DAC). Moving the sarcophagus back into St Peter's with two possible locations was considered by the PCC.

Given the estimated weight of the coffin plus any mechanical moving equipment at 1.5 tonnes, a survey to determine the load bearing of the floors and any underfloor graves and other spaces was required. This, which included a Ground Penetrating Radar (GPR) survey and some non-related work, was conducted at the PCC's expense (approx. £1,000).

Although application to move the sarcophagus had yet to be submitted to the DAC, approval was given to protect it with a temporary cover from Cliveden Conservation. This was purchased by the PCC for £805: a sum which was reimbursed by the History Society, while the VAT element was recovered from the Listed Places of Worship Grant Scheme. This cover was used over the Winter months from 2021-2024.

At a meeting held between representatives of the PCC and the History Society with the Archdeacon of the Meon and the DAC Secretary in March 2024, it was accepted that damage to the sarcophagus could be incurred by attempting to move it from its current location.

Consequently, it was agreed to commission a report by an archaeological stone conservator, <the expert>. Her subsequent report in June 2024 (her fee of £550 was paid by the PCC)

confirmed that any movement of the coffin is likely to result in disintegration, and that it should be protected in situ, initially with the Cliveden cover.

In view of <the expert's> recommendations, the History Society's preferred solution was to erect a permanent shelter – a polycarbonate covering on a thin steel frame – around the sarcophagus. Although this proposal was submitted direct to the DAC by the History Society, the DAC gave the recommendation due consideration, but decided it was unacceptable to erect any kind of contemporary shelter adjacent to a Grade One Listed Building. The DAC extended its previous approval to use the Cliveden cover, despite concerns that it can harbour damp and may offer little long-term protection.

The situation was discussed at a PCC meeting held on 11 September 2024 and – in light of the DAC's decision and <the expert's> report - it was decided that no further action will be taken or expenditure committed by the PCC.

This is of course disappointing for us all, but we are bound by the decision of the DAC which in turn is also constrained by Listed Building regulations. With the Diocese being funded by the Parishes and having already made considerable expenditure, we consider it inappropriate to subsidise this project any further from church funds.

We plan to display quality photographs of the Sarcophagus and an accompanying information plaque in the Curl Chapel, where of course it stood from the 1880s to the 1960s.

We sincerely thank all those who share our concern for the Sarcophagus, and who have joined us in investing time, energy, funds and no small emotion in the task of preserving a valuable piece of our shared heritage. We have at least put in place small measures to slow an inevitable decline, and we will continue to make efforts, as described, to preserve its 2000-year-old memory in perpetuity.

Church Wardens



Church, but not as you know it

**Join us on Saturday January 25th, 2025 at 3-5pm
in St Peter's Church, Soberton
for Messy Church!**

What is Messy Church?

BRF's Messy Church ministry is a creative, inclusive way of being church for families which enables people to encounter Jesus in a relaxed space. It's primarily designed for people who don't already belong to another form of church, no matter how 'messy' they feel their lives are – and it's definitely not just for children!

What will we be doing?

We'll have lots of craft activities in the Church Rooms - there'll be a chance to chat over snacks and refreshments and then we'll move into the church for a short celebration of our faith.

Who is it for?

Everyone! Please come along and see what it means to be part of a Messy Church. We welcome families of children of all ages. Messy Church is all about creativity, celebration and hospitality – so join us to bring this new approach to worship to our villages. There is no charge for Messy Church.

The Messy Church® name and logo are registered trade marks of Bible Reading Fellowship, a charity (233280) and company limited by guarantee (301324), registered in England and Wales.brf.org.uk

Guiding in Soberton & Newtown



Guiding is very much alive in our villages with Brownies and Guides meeting on alternate Monday evenings at the Guide Hut on Soberton Recreation Ground.

This term the units have had a few unusual adventures:

- They have slept over at Bishops Waltham Library, along with 2000 other Guiding members around Hampshire, to celebrate 100 years of Hampshire Libraries (only 46 of us at BW!)
- 8 girls attended a Badge catch-up day in half term, where 6 girls completed their CAMP skills builder, 4 girls completed an interest badge, and we worked out 6 Brownies could sleep comfortable in a 3-man tent!
- They attended the RBL Remembrance service at St Peter's and presented our new unit flags. At the unit meetings we investigated on a map where the names on the war memorials once lived, as well as where the girls currently live. Mole (Victoria Rogers) sent us her investigations from York, helping the girls developed their map reading skills and understand a little more about what impact the war had on our villages.
- And by the time you are reading this, Snowy Owl and some of the Brownies will have entertained the villagers in the Panto – Oh yes they have!!

The term is not yet over and we have a couple more adventures to complete:

- We're off to watch Moana2 at a Guiding only viewing at Port Solent mid-December
- We hope to be able to visit a local care home to sing carols with the residence

And of course, we've planned some Christmas fun and crafts.

As I will be stepping down as Brown Owl in the summer (2025), the unit is looking for a new leader. If you are interested in becoming a helper at Brownies, or Guides, then do get in touch. Just showing interest does not mean you will end up running a unit, but it may mean that sharing the workload will enable someone else can take on the main role and Brownies will continue for a few more years.

Our contact details are :

Brownies (age 7 to 10 years)- SobertonNewtownBrownies@gmail.com

or Guides (age 10 to 14 years) - SobertonNewtownGuides@gmail.com

I would like to thank the leaders at Brownies and Guides for the time and energy they have given the unit and the support they have given me. So THANK YOU to Paula Hobbs, Mandy Haggar, Grace Parker, Katie Povey and Helen Dyne. Also a Thank You to Victoria Rogers for the remote admin support and programming, and Katie Rogers for the on call support. Good Guiding is only achieved by good teams, and we have one great team here at Soberton & Newtown. Who wouldn't want to be part of it?!

We wish everyone a Merry Christmas and a very Happy New Year

Caroline Rogers - Unit Leader for Soberton & Newtown Brownies and Guides

Soberton & Newtown Ladies' Group

In October Ellie Hawkins gave us lots of advice and helped us do some very fancy decorations on biscuits.

For the next meeting Andy Rankine gave a fascinating talk on the origins of Air Traffic Control and brought us up to date with the latest technology.

On Wednesday 4th December, at 8pm in St Peter's Church Room, we will be tasting wine from local Wyches Vineyard.

The New Year's Party is on 11th January 2025 in Soberton Village Hall. This is open to husbands, partners or a guest.

Liz Whales 01489 877712 lizwhales@aol.com

Helen Stranks 01489 878270 helen.stranks@btopenworld.com



The Guide Hut Committee invite you to a

Beetle Drive

Fun for all the family

Friday 7th February

6.00 – 8.00 pm



Soberton Village Hall

Tickets: £7.50

to include a Hot Dog (with proper sausages!),
cake & a glass of wine/beer or soft drink

Never played Beetle? It's easy and loads of fun for all ages from 4-104!

- You take turns rolling the dice to **build your own beetle!**
- Each number you roll lets you draw a different beetle part.
- Be the first to finish and shout "**Beetle!**" to win the round.
 - Lots of giggles, quick rounds, and prizes to be won!
- All the rules will be explained beforehand - no prior experience needed!



Tickets available from:

Caroline Barfoot on 07736 714565

or email guidehutsoberton@gmail.com

All proceeds to the maintenance of the Guide Hut

STUDIO 6

DESIGN & PRINT

Business Cards & Letterheads • Leaflets & Flyers
 Wedding Stationery • Funeral Orders of Service
 Banners & Signage • Booklets & Brochures
 Personal Stationery • Labels, Rubber Stamps & much more!

www.studio-6.co.uk

We have new premises!

PLEASE CONTACT US VIA PHONE OR E-MAIL

01329 832933 • print@studio-6.co.uk

EXPERT TAX ADVICE WITH A HUMAN FACE FOR THE MEON VALLEY

WATCHING OUT FOR THE NEXT GENERATION

Is IHT a factor in making my Will? Is a Family Trust a good idea?

PROPERTY OR WORK OVERSEAS

How does it affect my tax if I live, work or have property abroad?

FOR ENTREPRENEURS

Am I the only one wondering whether it's worth all the aggro?

PERSONAL TAX

What is the best way to order my tax affairs, in full compliance with the law?

SELLING MY BUSINESS

How much tax will I pay? What is my business worth?

Nicholas Ridge
 TAX EXPERTISE

Oakleaf, Ludwells Lane, Waltham Chase, Southampton, SO32 2NP

t: 01489 899102 e: nicholas@nicholasridgecta.co.uk

www.nicholasridgecta.co.uk

CARPET & UPHOLSTERY CLEANING HIGH QUALITY & AFFORDABLE

- Independent Family Run & Owned Business - Est 2003
- Carpets, Leather, Rug & Curtain Cleaning
- Approved by Trading Standards
- Honest & Competitive Pricing
- Rapid Drying Times
- Discounts for Whole Houses

'We have used Elliott Carpet Care for many years and have never ever been disappointed. Carpets and sofas come up like new. The attention to detail and care taken is extraordinary'.

Call us today on:

M: 07436 266078

www.elliottcarpetcare.co.uk



All aspects of Carpentry & Building work undertaken

- Extensions • Alterations • Refurbishments
- New Builds • Landscaping

Tel: 02392 632037 Mob: 07885 283036

jay.tucker16@yahoo.co.uk

Fully qualified and insured



The Perfect Space for Meetings or Committees

HOST YOUR NEXT MEETING OR
 PRESENTATION IN A DISCREET AND
 PRIVATE AREA.

RURAL LOCATION NEAR HAMBLEDON.

- Seating area for 6 to 8 people.
- Parking up to 4 cars.
- Ultra Fast Internet.
- Coffee, tea, cold drinks facility.
- WC.

ENQUIRIES:

Contact Ben **07973668539**
 by text or WhatsApp

Discount offered for repeat or regular bookings

FOR ALL YOUR DRY CLEANING AND LAUNDRY NEEDS

Duvets Laundered
 Curtain Cleaning & Alterations
 Tailor Repairs & Alterations
 Wedding Dresses Cleaned & Boxed
 Specialist Rug Cleaning Service



Laundry Service
 Carpet Cleaning Machine Hire
 Waxed Garments Cleaned & Re-Waxed
 Pillows Cleaned & Recovered
 Suede & Leather Cleaning

4 Merlin Mews, Bishop's Waltham. Tel: 01489 894421 • Agent: Meonstoke Post Office

www.bryantscleaners.co.uk

MARK & JUNE MASON

Husband and wife high quality painters and decorators. Period to modern properties, one room to a whole building. We work around your requirements.

www.masonspaint.co.uk

Phone 01329 235847

Mobile 07973 162397

52 The Causeway, Fareham PO16 8RW

Ray Chandler STATION GARAGE FAREHAM LTD

SERVICING, MECHANICAL & BODY REPAIRS,
WELDING, M.O.T. TESTING,
BREAKDOWN SERVICE

Tel: **01329 238451**

www.stationgaragefareham.co.uk

Unit 1, The Avenue, Fareham, Hants PO14 1NP



All Types of Carpentry, Joinery & Building Work Undertaken
Kitchens, Bathrooms, Windows & Doors (wood & U.P.V.C.)
Renovations & Repairs, Wardrobes & Cupboards,
Bespoke Joinery, Furniture Restoration, Painting & Decorating.

Professionally Qualified & Insured
30+ Years of Local Experience

M: 07875 557961 T: 01489 895890

E: leeacooper@talktalk.net

W: www.leecoopercarpentry.co.uk

Sweeps of all types of appliances carried out
Stove maintenance and repairs carried out
Bird guards / Caps supplied and fitted
CCTV inspections carried out
Fully insured
Certificates issued

Neil Jarrett 0751 0304 888

neil@sunrisechimneysweeps.co.uk
www.sunrisechimneysweeps.co.uk



WELLER PATRICK

SOBERTON AND MEON VALLEY PROPERTY EXPERTS

Experienced local team with
detailed knowledge of the area.

01489 893555

www.wellerpatrick.com
info@wellerpatrick.co.uk



THE WHITE LION

BED & BREAKFAST

BEER GARDEN,
FUNCTIONS, HOME
COOKING AND
LOCAL BEERS

TELEPHONE: 01489 877346

INFO@THEWHITELIONSOBERTON.CO.UK
WWW.THEWHITELIONSOBERTON.COM





J. Gordon

Forestry & Arboriculture Ltd

- Crown Reduction/Re-shaping • Thinning/Dead Wooding • Skilled Tree Removal • Hedges
- Plantation Maintenance • Tree Planting • Fencing • Woodland Management • Stump Grinding

Professional Qualifications • Insured in all aspects of forestry and tree surgery

For a personal and caring service contact Joe Gordon

24 HOUR EMERGENCY CALL-OUT • FREE QUOTATIONS

Hambledon 023 9263 2418 Mobile 07712 808 081 www.treedocjoe.co.uk



**Taylor's Garage
Droxford**
Hampshire SO32 3QL



Tel: 01489 877433

CAR and MOTORCYCLE MOTs

Service and repair to cars
light commercials and horse trailers

Air conditioning - service & repair

Competitive prices on
tyres batteries and exhausts

Collection & delivery or loan car available
subject to availability

BUY WITH CONFIDENCE
Trading Standards Approved Trader

Sweeps of all types of appliances carried out
Stove maintenance and repairs carried out
Bird guards / Caps supplied and fitted
CCTV inspections carried out
Fully insured
Certificates issued

Neil Jarrett 0751 0304 888
info@sunrisechimneysweeps.co.uk
www.sunrisechimneysweeps.co.uk



CORE STRENGTH
FLEXIBILITY
FLAT STOMACH
JOINT MOBILITY
REDUCED STRESS
TONING
IMPROVED POSTURE

PILATES

PILATES

CARRIE MANDLEY RGN
PILATES INSTRUCTOR
PHONE 07854 413352



**SOLENT
DESIGN**

- Design
- Artwork
- Stationery
- Leaflets
- Flyers
- Brochures
- Booklets
- Newsletters
- Labels
- Postcards
- Folders
- Posters
- Banners
- Vinyl
- Exhibition Displays



**Tel: 01489 892344 • Email: sales@solentdesignstudio.com
www.solentdesignstudio.com**

Pressing Needs



The Fabric Care Specialists

FREE

Collection & Delivery

Tuesday & Friday

25% off Duvet Cleaning

with Promo Code: S&N25

www.pressingneeds.co.uk

verity@pressingneeds.co.uk

- Laundry
- Dry Cleaning
- Ironing
- Shirt Service
- Bedding Laundry
- Duvet Laundry
- Curtain Cleaning

Duncan Rd, Park Gate, Southampton, SO31 1BD

01489 582095

MEON VALLEY
Mowers
SERVICE AND REPAIRS

Specialist in professional & domestic
mower & garden machinery

- Service & repairs
- Collection & delivery
- Competitive rates
- Rotary blades, cylinders & hedge cutter sharpening
- Visit our workshop



07783 937212 or 01489 878085

info@meonvalleymowers.co.uk



H
HAMBLEDON
CARS

PRIVATE TAXI SERVICE

Superior Air Conditioned Cars
8 Seater Minibus
Airports, Stations & Cruise Transfers
Theatre, Shopping, Business
& Local Travel

Steve & Tracey Eames

M: 07766 027 301

W: 02392 632 375

hambledon-cars@hotmail.co.uk
www.hambledoncars.co.uk

West Street Hambleton Hampshire

TP Mushroom Catering

**Bringing Masterchef
to the Meon Valley**

Masterchef contestant Gill Holland provides bespoke menus that give your special occasion the wow factor! Traditional British fare, a Thai feast or a Mediterranean mezze, canapés at a drinks party to full wedding packages.

Whatever your event give Gill a call on the contact details below:

www.mushroom-club.co.uk

**West Down Cottage, Chalk Hill,
Soberton, SO32 3PH**

07879 696495, 01489 876741

Andrew Smyth

HANDYMAN & DECORATING SERVICES

BASED IN
Newtown

General Home Maintenance
Painting & Decorating
Carpentry & Fencing
Bespoke Wooden Goods
Plumbing & Electrical
Domestic & Commercial
AND MUCH MORE!

Feel free to contact me!
07909253681
andrew.j.smyth65@gmail.com

 andrew_the_handyman  AndrewSmythHandyman

Wickham Fisheries

Your local Take Away
A wide variety of food

Gluten-free chips available everyday
Gluten free menu for other products
available every day (call and place your
order half an hour before collection)

Find all opening information and our menu
on Facebook – Wickham Fisheries

The Square
Wickham
PO17 5JQ
Tel 01329 832394



 Wallops Wood

Local & Award Winning Luxury Self-Catering

- Ideal for family gatherings, celebrate here!
- Indoor heated pool and jacuzzi with hoist, sauna & steam room
- Hot tubs, en-suite bedrooms, wood burners
- Dog friendly, enclosed gardens, accessible
- Country views, EV charging points, free WiFi

WALLOPS WOOD COTTAGES
wallopswoodcottages.co.uk

GRENVILLE AT WALLOPS WOOD
grenvilleatwallopswood.co.uk

01489 878888

unwind@wallopswoodcottages.co.uk

Book with confidence and unwind with us

RICHARD STEEL & PARTNERS

THE FAMILY OWNED
FUNERAL DIRECTORS



www.steelsfuneral.co.uk

BISHOP'S WALTHAM
The Gate House, Victoria Road,
Bishop's Waltham, SO32 1DJ
01489 892640

WINCHESTER
Alderman House, 12-14 City Road,
Winchester, SO23 8SD
01962 862333

Available 24 Hours

B.G. Property Maintenance

EST 1974

Internal and External Painting &
Decorating

Roof Repairs – Gutter Maintenance

Pointing – Brickwork & Plastering
Repairs

Glazing – Tiling – Paving – Carpentry

CLINT: 07836 620844

BOB: 07971 551513

Email: rgoble717@btinternet.com

FULLY INSURED
FREE QUOTES

BOWMAN

ALES LTD.

TRY OUR AWARD WINNING ALES



Our beers are
available in
bottles,
bags-in-boxes or
casks, all direct
from the brewery

01489 878 110

info@bowman-ales.com www.bowman-ales.com



Household and Business storage

02392 384 888

BARN-STORE.CO.UK

Offwell Farm, Southwick, Fareham, PO17 6DX

Hurricane Farm



Our Services:

- Mobile educational farm
- Incubator hire
- Breeders of pedigree Tamworth and Gloucestershire old spots
- Breeder of rare breed poultry and garden hens
- Supplier of quality pork

01489 878218 - 07876244146

LOCAL FARRIER

(Soberton Based)

David Povey Dip WCF

For:

Hot & Cold Shoeing
Remedial Shoeing

Established 1985

01489 878218



Part P Full Scope
Electrician

Derek Pilcher JIB Approved

*Domestic • Commercial • Industrial
Agricultural • Rewires • Extra Sockets • Lights
Showers • Cookers • Fuseboards
Security Lights etc*

**Testing and Certification
Emergency Call-Out available**

Tel: 02380 602 627 Mob: 07766 418 039
Email: derekpilcher36@yahoo.co.uk

CHAMBERLAINS

Family Solicitors

We can help you with a wide range of legal services including Residential Conveyancing, Commercial Property, Probate, Wills and Lasting Powers of Attorney

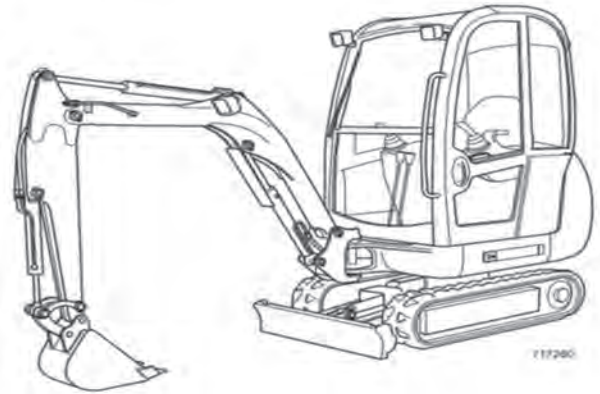
RED LION STREET (OFF HIGH STREET), BISHOPS WALTHAM

TEL: 01489 896141
info@chamberlainslaw.co.uk

KS Groundworks

Local General Builders & Ground Maintenance, Hardscaping, Drives, Slabs, etc.

Over 30 years experience.



Tel: 07801 141517 Email: kym.slater@gmail.com



South Downs Funeral Service

Funeral Directors & Memorial Consultants



Your Local, Independent & Family Owned Funeral Homes of Denmead, Wickham & Clanfield

Our Clanfield Funeral Home
43 Drift Road, Clanfield PO8 0JS
Tel: 02392 570239
clanfield@southdownsfuneralservice.com

Our Denmead Funeral Home
The Old Post Office House, Hambledon Road,
Denmead PO7 6NN | Tel: 02392 231567
care@southdownsfuneralservice.com

Our Wickham Funeral Home
13 The Square, Wickham,
Fareham, PO17 5JG | Tel: 01329 833920
wickham@southdownsfuneralservice.com

Direct Funeral Services from £995.00
Traditional & Tailored Funeral Services from £1725.00

www.southdownsfuneralservice.com

Golden Charter
Smart Planning for Later Life

Golden Charter Funeral Plans
24 hour, local and personal service
Floristry service | Stonemasonry service
No deposits required
Fully accredited and regulated members of SAIF





PIMP MY Paddock

Paddock Maintenance

We offer a complete & professional paddock maintenance service

Located near Bishops Waltham, covering all surrounding areas.

Paddock, field & garden work is carried out using a quad bike, ensuring easy access to small & large areas with no heavy tyre marks.

Paddock Maintenance

Topping

Fertilising

Spraying

Springtyning

Harrowing

Hedge Cutting

Fencing & Gate Repairs

Log Splitting & Chipping

Full Public Liability Insurance

Phil Stratten 07799 118 022

mail@pimpmypaddock.com

www.pimpmypaddock.com



APARTMENTS

FOR HIRE



Luxury One bedroom

We are offering this luxury apartments in Gosport. Fully furnished and equipped. High speed Internet.

ALL BILLS ARE INCLUDED

NO DEPOSIT, NO FIXED CONTRACT, NO MINIMUM OR MAXIMUM STAY.

IDEAL FOR:

Accommodation for business contracts.
Insurance placement.
Long term guests.
While house works are on going on.
Change of personal circumstances.
In between house moves.



For more information of pricing

CONTACT: Ben 07973668539

StorAway

Your local choice for storage



Secure Storage for Classic Cars, Archived Documents and Personal Property. Long or short term storage options available.

**For ALL your storage needs
Contact StorAway on 01489 877988
or www.storaway.co.uk**

G. RIXON LTD.

ELECTRICAL PLUMBING AND HEATING ENGINEERS



01329 834600

enquiries@g-rixon-ltd.co.uk

www.g-rixon-ltd.co.uk

We carry out small jobs such as attending to faulty light fittings and dripping taps, to larger jobs such as complete rewires and replacement bathrooms. We are disabled adaptation specialists and install level access showers and accessible kitchens.

G. RIXON LTD. Wynot Heath Road Soberton Hampshire SO32 3PQ

R & G GAMBLIN

Extension Alteration Renovation

Planning work

Bricklaying.
Civil Engineering.
UPVC Windows & Doors.
Plastic Fascia & Soffit.
Concrete.
Loft Conversion.
Roofing Pitch & Flat.
Painting.
Conservatories.

Digger Hire.
Drainage.
Fencing.
Plastering.
Driveways.
Plumbing.
Garages.
Carpentry.
Electrics.

For Free Estimates please phone
Rob 01489 - 891801



SAFER CHIMNEYS

Member of National Association of Chimney Sweeps
NACS Certificates Issued.

“Highly Recommended” Local Chimney Sweep

Power Sweeping, Traditional Brushes,
Chimney Camera Surveys
Stoves, Open fires, Range Cookers

Less waiting time – 2 qualified sweeps

023 9247 6458 or 07733 343530

or 07847 466281

david@saferchimneys.co.uk

Proud members of
Checkatrade.com
Where reputation matters

www.saferchimneys.co.uk

TREE SERVICES

RESIDENTIAL & COMMERCIAL
HAMPSHIRE & SURROUNDING AREA

FOR MORE INFORMATION
www.wgstreeservices.co.uk

info@wgstreeservices.co.uk

or

CALL 07810 044 420



BULK BAGS

HARDWOOD | SOFTWOOD | KINDLING
FREE LOCAL DELIVERY

CALL 07810 044420
or

ORDER SECURELY ONLINE
www.wgskindling.co.uk

FOLLOW US



A Beautiful Yoga Studio in Wickham

A real hidden gem in Hundred acres.
Providing a range of yoga classes for all abilities
in a beautiful and tranquil environment.
Ample free parking.

Visit birchtreeyoga.co.uk or call Karen on **01329 834511**



Chartered Accountants
& Registered Auditors

LOCAL INDEPENDENT ACCOUNTANTS AND
TAXATION ADVISORS

FREE INITIAL CONSULTATION

Full range of accountancy, auditing and taxation services

Business start up advice

Book-keeping and Payroll Services

Self-Assessment Returns

Detailed Fixed Cost Quotes

Visits to your Premises

Avalon House, Waltham Business Park,
Brickyard Road, Swanmore, Southampton,
SO32 2SA

Tel: 01489 896996 Fax: 01489 895255

Email: enquiries@butlerco-bw.co.uk

Website: www.butlerco-bw.co.uk



Tudor PEST CONTROL

Mandy Haggart BSc.
07307 167 244

info@tudorpestcontrol.co.uk
www.tudorpestcontrol.co.uk



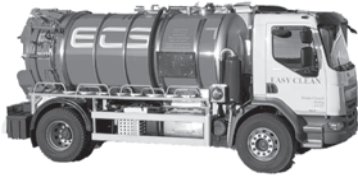
Contact Us Now!
Tel: 01489 896 903

Easy Clean Services

CESSPIT / SEPTIC TANK EMPTYING

TANK EMPTYING

- Cesspits
- Septic Tanks
- Interceptors
- Grease Traps
- Treatment plants
- Pump Stations



SERVICING

- All Treatment Plants
- Pump Sets
- Pumping Stations
- Water Pumps

PUMP and PARTS

- Air Blowers - All Makes
- Submersible pumps
- Spares and accessories
- Shop online or collect

DRAINAGE SERVICES

- Root Cutting
- CCTV Surveys
- Blocked Drains (Jetting/Rodding)

info@easycleanservices.co.uk
www.easycleanservices.co.uk



SALES & REPAIRS

Wheely Down Garages
Warnford, Nr. Southampton
Hampshire SO32 3LG

Telephone/Fax: 01730 829207

www.dj-scott.com

We're the Which?
Insurance Brand of the Year
for the second year running

Whether it's for your car, home, farm or business, for quality insurance you can rely on, join us today.

Contact NFU Mutual Winchester, Alton and Wickham on **01962 881 888**



The National Farmers Union Mutual Insurance Society Limited (No. 111982).



GEMMA WILLIAMS
PRIVATE TRAVEL



Gemma Williams Private Travel offers a truly personalised service creating unforgettable tailor-made trips around the globe. With over 15 years' experience within the travel industry at some of the UK's leading tour operators. I'll make your travel planning and trip hassle free with a personalised and professional service.

Beach Holidays, Safaris, Adventure, Family Holidays, Cruises, Private Villas, Honeymoons, City Breaks, UK Staycations and much more.

As a Soberton resident I am happy to meet you in your home, at a time convenient to you.

**GEMMA WILLIAMS
PRIVATE TRAVEL**

WhatsApp / Tel: 07968 634556

www.gwprivatetravel.com

Gemma@360privatetravel.com

All Holidays are ATOL Protected



To advertise please contact:
Kate Buttriss
kate.buttriss@gmail.com
07801 441998

DROXFORD ANTIQUES

The Old Bakery, High Street, Droxford SO32 3PA
01489 878800 mark@droxfordantiques.co.uk

Established for over 40 years.

Still buying and selling antiques of all descriptions, valuations and probate service.

We repair, restore and polish in our own workshops.

CURTAIN MAKING & ALTERATIONS

Stockists of Kate Forman, Vanessa Arbuthnott, Ada & Ina

We offer a full service from measuring to making beautiful hand sewn curtains, blinds and pelmets especially for you.

Please telephone Mark or Mary for free, professional and confidential help and advice.



THE JOINERS SHOP

Period Joinery of Every Description

Conservation Approved
Double Glazed
Box Sash Windows

(Genuine) Handmade Kitchens

Tel: 02392 814780
enquiries@thejoinershop.co.uk
www.thejoinershop.co.uk



Associate Member of the Hampshire
Buildings Preservation Trust Ltd

Associated Trades



**LANDMARK
DESIGN**

Meon Valley Studio
Design, Planning, Architecture
& Land Management

LAND MARK

landmark-design.co.uk +44 (0) 1489 899 033
f /lmdarchitectural @lmd_architecture

WHITE ROSE PLUMBING Russell Beaumont

Free quotation
No call out charge
No job too small
Family run local business
24 hour emergency service

Tel: **01489 893419** Mobile: **07843 586366**
Email: whiteroseplumb@googlemail.com

FAREHAM Creek VETS

32 East Street, Fareham PO16 0BY
www.farehamcreekvets.co.uk
Tel: 01329 280412

Local, independent small animal practice
Friendly, dedicated care for you and your pet
See the same vet at each visit
Close to Fareham town centre • Parking on site
24 Hours Emergency Service

M & S LOCKE & SON LTD

PLASTERING & CERAMIC TILING CONTRACTORS

Specialising in:

- All aspects of plastering
- All aspects of tiling
(inc. porcelain & stone interior/exterior)
- Full bathroom refurbishments

Family run business with over 30 years experience, we offer a reliable, friendly, and quality service.

For a free quotation/advice please call Dean on
Mobile: 07712 894119/Home: 01489 877199



HAMBLEDON GARDEN MACHINERY

All aspects of garden machinery repairs and servicing, including small plant & agricultural tractors
Delivery and collection available

Get in touch
☎ 07788 907334



CRAMER BESPOKE

CABINETRY | KITCHENS | FURNITURE

T: 02392 632222 M: 07805 040464
josh@cramerbespoke.com

Why not read our glowing reviews from some of the Meon Valley's most fabulous residents ?

www.cramerbespoke.com



Oliver Chimney Sweep



Experienced member of the Guild of Master Sweepers.

Insurance approved certificates issued with every sweep.

Professional, clean brush and vac system.

02392 787967

Email: info@oliver-chimney-sweeps.co.uk



CARTERS

GARDEN MACHINERY
SINCE 1921

Celebrating 100 Years



Machinery Sales | Service | Repairs | Hire

- Robotic Mower Installers
- Free Site Surveys & Advice
- Battery Machine Specialists
- Lawnmowers & Ride-Ons
- Hedge & Brush Cutters
- Chainsaws & Safety Clothing
- Leaf & Litter Blow-Vacs



Call us on: 01489 575242
Visit Our Store or Buy Online

www.cartersgardenmachinery.com

Duncan Road, Swanwick, Southampton, SO31 1BD. (Opposite Swanwick Railway Station. Follow the signs to the station from Park Gate.)



see me at www.trustatrader.com



Mark Oliver
PLUMBING & HEATING



INDEPENDENT FAMILY BUSINESS - ESTABLISHED 2002

All Domestic Plumbing Undertaken

Fully insured & Qualified Plumbers
covering Hampshire area

Solar Hot Water & Air Source Heat Pump Installer

Oil Boiler Heating Specialist

Oil Boiler Installation & Servicing

Approved Grant Boiler Installer

12 Month Guarantee on all Installations

Finance Available - Senior Citizen Discounts
Card Payments Accepted

07743 386 540

01489 876 556 - 01962 435 026

www.moliverplumbing.co.uk

email:moliverplumbing34@gmail.com



GATES HOUSE GARDENS

**Bespoke, hand crafted and tailor made
just for you**

- Extensions
- Summer houses
- Gazebos
- Garages
- Offices
- Decking
- Patios
- Driveways
- Woven steel - fencing, screens, planters
- Design ideas and solutions



www.gateshousegardens.com

07885 663 829 or email

jon@gateshousegardens.com

Soberton Heath, Hampshire

REQUEST A QUOTE TODAY



**LANDSCAPE &
GROUND WORKS Ltd**

Free Estimates - Quality Work - Competitive Prices

**Brick Laying • Block Paving • Patios
Concreting • Drainage • Extensions
Garages • Decking • Fencing • Turfing**

All other aspects of Hard and Soft Landscaping
and Maintenance

KEVIN HALL 07808 496004

Tel: 01329 832169 Email: lbhkevinhall@gmail.com



WINDOW CLEANING

OUR SERVICES

- Fascias, Soffits & Gutters
- Gutter Clearances
- Conservatory Roofs
- Roof Cleaning / Moss Removal
- Patio Cleaning



Find us on

[@dmwindowcleaninghamshire](https://www.facebook.com/dmwindowcleaninghamshire)

07815 698 140
www.dmwindowcleaning.com

Mrs G's Pilates



- Enhanced core strength
- Improved flexibility
- Greater postural control
- Freedom of movement
- Self awareness
- Sense of well being

Tuesday Rooksbury Hall 9.15-10.15am, Wednesday The Meon Hall 9.15-10.15am, Rooksbury Hall 6.30-7.30pm, Thursday Denmead 9.15-10.15am, Rooksbury Hall 6.30pm-7.30pm. Friday Droxford Hall 9.15-10.15 am & 10.30-1130am

Contact Charlotte Graetz: 07776221077 or charlotte@mrsgpspilates.co.uk

North ProBuild Ltd.

**General building, Extensions,
Refurbishments, Kitchens,
Bathrooms, Landscaping,
Driveways, Patios and Decking.**

**Portfolio & References available,
helpful friendly reliable advice.**

Local Family run business in Soberton.

Please contact Darren

- ◆ darrennorth75@gmail.com
- ◆ 07946 106431
- ◆ 01329 833997



dwell design
Ltd

A RIBA CHARTERED PRACTICE



Listed buildings



Bespoke residences



Conversions

"Anthony is a fantastic architect, who is passionate about what he does!"



PASSIONATE ABOUT SUSTAINABLE LIVING

01329 717515 | enquiries@dwell-design.co.uk

Probate & estate planning - leading the way in providing an AFFORDABLE service

WESTMINSTER LAW

Wills ~ Estate Planning ~ Probate



**If you are over 60 it will cost you only
£95* for us to prepare your Will.
We are also Lasting Power of Attorney
specialists - only £95* each LPA if
instructed during the Will appointment.
Our prices include VAT, home visits,
and Inheritance Tax advice.***

**Call us now for a no obligation chat on
02392 706980**

www.westminster-law.co.uk email: info@westminster-law.co.uk

Westminster Law Ltd, 10 Grassmere Way, Waterlooville PO7 8QD

*These very special rates are only available if you are over 60 years old. Minimum spend for a free home visit is £95.
Our normal price for a standard single Will is £150, or £250 for a couple.

Animal Assisted Learning & Private Tutoring Service

What is it?

A unique, private tutoring programme that intergrates social and emotional learning with academic, allowing children to learn in a natural, outdoor environment through play and experience learning with their entire body.

How does it work?

Children interact with animals from the ground whilst using obstacles and games to support learning key reading skills; phonemic awareness, decoding, fluency, vocabulary & comprehension.

Why Animals?

Interacting with animals, particularly horses, supports the natural development of self motivation, confidence & problem solving. Including animals in tutoring enables the learning to be a full body experience & is a powerful way to achieve educational goals.

Why Me?

- Individualised learning programmes available.
- Qualified, experienced & enthusiastic Primary Teacher.
- Qualified in Equine Facilitated Learning & Emotional Coaching.
- Sessions from £30

07706420646

HannahHurst.EFL@gmail.com

Hannah Hurst - Helping Hooves

HH_HelpingHooves



Locally sourced, barn stored, seasoned hardwood logs

Delivered locally for free in bulk bags or loose loads.

Charges may apply for long distance deliveries

For enquiries contact Charlie

Email: hambledonlogs@gmail.com

Tel: 07788907334

The Boat Bosun provides high quality, shipwright, marine engineering, painting, and coating services to traditional and modern boat owners of wooden and GRP, yachts and powerboats.

david@theboatbosun.com

07971 288064



Computer Problems Solved

A qualified & experienced Computer Engineer who can efficiently solve your home and business computer needs.

For a friendly, no obligation quote call:

Chris Guénier: 01489 890738 or 07962 641796

 CPS Ltd

<http://www.cps-ltd.org.uk>

info@computerproblemsolvedltd.co.uk



MJM

Plumbing & Heating

36 years experience in the plumbing & heating industry

- Natural gas, L.P.G and oil boilers installed
- Oil tanks installed & maintained
- Power flushing
- Full bathroom installations including wall & floor tiling
- Unvented hot water systems installed, serviced and maintained
- Grant Oil Boiler Approved Installer

NO
CALL OUT
CHARGE

**NOW OFFERING 0% finance on all
Vaillant boilers and products!** Call for details

Tel: **01329 507712** Mob: **07773 385946**
info@mjmplumbing.co.uk www.mjmplumbing.co.uk



Based in Wickham

TJ

CHIMNEY SWEEPS

TEL: 02392 002872

MOB: 07950 145494

COMPETENT, CLEAN & RELIABLE

WWW.TJCHIMNEYSWEEPS.CO.UK

FULLY INSURED & REGISTERED WITH THE INSTITUTE OF
CHIMNEY SWEEPS.

SEE US ON CHECKATRADE.COM

Robert Crook Garden Maintenance

All general gardening work undertaken

Tel: 02392 258686

Mobile: 07929 092299



ANNIE CARTER
MOBILE MASSAGE THERAPIST
&
WELLNESS CONSULTANT

07791842953

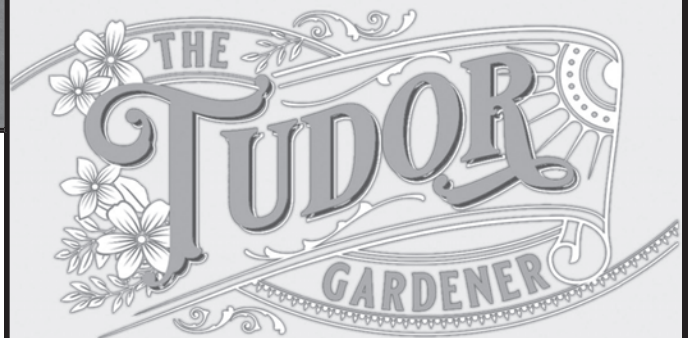
WHATSAPP/MESSAGE

All seasons general garden maintenance

Mob: 07763 494006 Tel: 01489 878 598

tudorgardener@gmail.com

@Tudorgardener



- Specialising in:
- Hedge cutting & shrub shaping
 - Garden design
 - Fruit tree and rose pruning

RHS TRAINED

SYCAMORE TREE SURGEONS

All aspects of tree work

**Pruning Surgery Felling Hedgecutting
Tree Stump Removal and Site Clearance
Approved contractors for local authorities**

FULLY INSURED

023 9223 0146

Mob: 07889 704449 David Farrington
30 YEARS EXPERIENCE

What's on (Village Diary)

Month	Date/day	Event / group	Time	Details
December	3 rd	Stitch & Chatter	14:00	Page 51
	3 rd and 17 th	u3a	14:00	Page 38
	4 th	Soberton & Newtown Ladies Group	20:00	Page 16
	6 th	Wreath Workshop at Rookesbury Hall	18:30	Page 13
	7 th	Christmas Coffee Morning at St Peter's	10:30	Page 7
	7 th	Antique Valuation at Rookesbury Hall	10:00	Page 13
	10 th	Wickham Society	19:30	Page 43
	11 th	Pop in for coffee and cake at St Peter's	10:00	Page 6
	12 th	Carols and Cheer - children and a special visitor! Carols and Cheer - carols!	18:20 19:30	Page 9
	13 th	Meet&Eat	Lunch	Page 37
	23 rd	Christmas Craft workshop at St Peter's	10:00	Page 8
	31 st	New Year's Eve party at Rookesbury Hall	20:00	Page 13
	January	7 th	Free Essential Digital Skills - pt 1	11:00
7 th		Stitch & Chatter	14:00	Page 51
7 th and 21 st		u3a	14:00	Page 38
8 th and 22 nd		Pop in for coffee and cake at St Peter's	10:00	Page 6
11 th		Soberton & Newtown Ladies Group	20:00	Page 16
13 th		COPY DATE FOR FEBRUARY / MARCH	-	
13 th		RBL	19:00	Page 38
14 th		Free Essential Digital Skills - pt 2	11:00	Page 12
25 th		Messy Church at St Peter's	15:00	Page 15
30 th	Close date for Parish Councillor Applications	-	Page 45	
31 st	Meet&Eat	Lunch	Page 37	
Hold the date	7 th Feb	Beetle Drive at the Guide Hut	18:00	Page 17
Regular meetings/ events	1 st Tuesday	Stitch & Chatter	14:00	Page 51
	1 st Wednesday	Soberton & Newtown Ladies' Group	20:00	Page 16
	2 nd /4 th Weds	Pop in for coffee and cake at St Peter's	10:00	Page 6
	3 rd Monday	Meon Valley Investment Club	19:30	Page 51
	2 nd Thursday	Soberton & Newtown Local History Society	19:30	Page 51
	1 st /3 rd Tuesday	Meon Valley u3a	14:00	Page 38
	Last Friday	Meet&Eat	Lunch!	Page 37



In your garden ... the preparation deepens!

Father Christmas gets all of the credit, but he only really works one day of the year. The reindeer also work minimal hours, I'm sure there are various test flights and health and safety seminars that they must attend but for the hours they do, does it truly justify the celebrity status they have?

The real hard work for this festive event takes place in the 'off-season'. Whilst everyone else is warming their toes/hooves by the fire, the elves are diligently crafting exquisite toys to delight children across the world.

Although the link is a tenuous one, it is that comparison of the importance of the work that goes on in the 'off-season and behind the scenes' to create something truly spectacular.

In many English gardens, the star of the border is the rose with its powerful aromas and deep, rich colours. There are over 300 accepted species of roses to choose from and I suspect there isn't a garden around that wouldn't benefit from a rose or two or twenty!

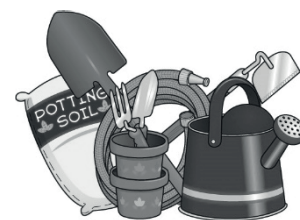
This, as far as I am concerned, is the season of the rose – in garden maintenance terms that is. Now is the perfect time to be choosing, purchasing and planting out bare root roses (which are up to 40% cheaper than the same rose that is potted). If buying from somewhere like David Austin, they will provide you with a comprehensive leaflet detailing exactly how to plant them. Top tip: do purchase the Mycorrhizal fungi as in my experience its make a noticeable difference with the health of the rose, especially in the first three years.

It is also the time to be pruning roses. This can be quite daunting and the mistake I find is it tends to be that too little material is removed with their pruning leading to a 'leggy' rose bush. A healthy prune will encourage growth and also blooms for the following year. The main aim is to try and create a bowl or goblet shape. The best starting place for this is the three D's. You need to remove all of the dead, diseased and damaged stems first and then as your confidence increases, you can start to look at the shape of the plant and aim for that perfect goblet.

Dahlias by now may well be over and you have cut them right back. It is now a decision of whether to lift the tubers or simply mulch them to protect them from the frost. The advice tends to be to lift them but as we are so far south, the weather rarely gets cold enough for long enough to damage the tubers. If you decide to lift the tubers, ensure you clear all the soil from them and store them in a dark and cool (but not cold) place.

Do remember to take the time to enjoy your garden and have a very merry Christmas.

The Tudor Gardener



ROYAL BRITISH LEGION POPPY APPEAL 2024 NEWTOWN

The house-to-house collection in Newtown raised the magnificent total of **£933.36**.

A big thank you to Steve Cooper, Jenny and Andy Yates, David and Alice Smith, Kerry Georges, Sarah and Andy Walton, Claire, Henry, Max and Kit Marnham, Alison Blume and David & Georgia Banks, our collectors. Particular thanks and congratulations to Ms Amy O'Toole and Newtown Soberton Infant School, who raised £113.77. Thank you to all in the village who supported this worthy cause.

A wonderful result. Thank you.

Sue Wells

New Year Revolution

A fresh start for 2025

When I worked in glossy magazines every January issue or new year issue would have variations of the cover line, 'New Year New You!'. Diets, exercises, post-Christmas detoxing were all essential features and, depending on the readership of the magazine, would range from home-made face masks to luxurious spa retreats to cleanse 'mind, body and soul', accompanied by pictures of athletic and ecstatic looking adults. Well. Fast forward a few years and nothing much has changed. The concept of a lovely fresh start at New Year is compelling – particularly in the dark days of December and January. But in 2025 somehow embarking on a green juice detox or a wardrobe overhaul seems a bit, well, dull. Why not try something radically different?



One of the most annoying questions around New Year is people asking you if you have any new year resolutions. Quite cheeky really. What if you want to keep your resolution quiet? You might be secretly reflecting on potentially giving up an unmentionable habit or almost worse, it might possibly be something other people find so extraordinarily dull it's a conversation killer.

Fear not. I am not going to suggest anything that will result in ripped muscles or upset digestive systems. It's not so much a resolution, more a low-impact activity which you only have to commit to an hour a week. This particular New Year resolution does not involve Lycra or blisters but the knock-on effects of the endeavour are potentially life-enhancing in every possible direction. You could actually argue it is life changing.

I had been toying with idea of reading with children in primary schools for some time. But having just emerged from the coalface of motherhood and watching my own children heading off as young adults into the big wide world with misty-eyed pride, the thought of committing to more school stuff was not appealing at all. It felt regressive. But then I met a friend of a friend who is a reading volunteer for a charity called Schoolreaders and it sounded a good deal easier than I imagined and with minimal impact on new-found freedoms.



There were two critical bits of information that convinced me I wanted at least to try it. Firstly, that it

is a commitment of a minimum of an hour a week during the term time but this is flexible if you are away or on holiday. Secondly, the dire state of literacy in our green and pleasant land. It turns out that 1 in 4 primary school children do not reach the required level of literacy to harness their Secondary School education – and this is nationwide.

We hear quite often how British children are sailing up the international literacy charts but that is the top performing lot – not the bottom 25 percent. It all boils down to reading to and with children – or not. Obviously not everyone is able to read with their children but if, as it turns out, a child's chances can be transformed by one 15 minute session a week and foster a life-long love of reading, then it had to be a no-brainer to at least try to lend a hand.

The idea that a quarter of primary school children are falling short in what will help them most in life was a real shock to me. Life chances crash when you can't read easily. In Winchester prison, for example, a high proportion of the prisoners are illiterate. So I signed up.

Founded ten years ago, the Schoolreaders model is simple. Volunteers read for free to children in primary schools for a minimum of an hour a week in the term time. The school selects the children they think would most benefit from the extra one-to-one attention. Schoolreaders offer great choice and flexibility to the volunteers – you can choose how far you would like to travel to a school and they provide information on the demographics of the children. For example, at the school I volunteer at over 50 percent of the children receive free school meals and the average reading age of the parents is eleven years old.

The charity conducts a phone interview with a potential volunteer and also require a DBS check before they can start. To volunteer, you simply go onto the Schoolreaders website and fill in the necessary forms. I was struck by how efficient and easy it was and within a month I found myself meeting the friendly, appreciative and impressive staff at the obviously happy Portsmouth primary school I go to. The teachers know what a difference just a little bit of extra attention with reading makes as they see it first-hand. But they also know that a child having the attention of an adult who listens to them one to one for even just a few minutes a week who isn't a teacher or parent, builds confidence.

The children I help with reading every week are utterly delightful – some are restless and find it tricky to concentrate or even sit on chair – others are serious and eager to please. Every time they enjoy reading a sentence, story or even a few words, it is a joy to share their success and pride. They have all made progress since I have been reading with them (just a

few months) and most of all they seem to be enjoying themselves. It is fun to work out how to get their different personalities motivated and make reading their own thing rather than something they are told to do.

The sweetest thing I experienced recently was one little girl who I read with each week, whispering confidentially that she had something exciting to show me in her school bag. She looked quite furtive and slowly opened it. I thought this thrilling item was going to be a bag of half eaten sweets, or possibly a toy. It was neither. As she grinned up she showed me it was a library book she had chosen herself. She was so proud and excited to show it to me. From the smallest of acorns...I would urge anyone casting around for new year resolutions to consider this.

Happy New Year.

www.schoolreaders.org

Sarah Barclay

Sarah is Schoolreaders Hampshire Ambassador.

(Author of *Eden's Keepers, the lives and gardens of Humphrey Waterfield and Nancy Tennant* (Clearview Books))

Schoolreaders

improving literacy • increasing life chances

Volunteers Needed!

Please visit Schoolreaders.org



Become a Schoolreaders Volunteer

Schoolreaders is looking for volunteers in this area to listen to children read in primary schools. No qualifications are required, just a love of reading and some spare time each week in term time.



Registered Charity Number: 1159157 Registered in England and Wales

© 2023 Schoolreaders CIO

Meet & Eat

Formerly known as the Ladies Lunch Club.

On the last Friday of each month we meet at The White Lion, Soberton for a fun lunch – a starter or main meal, the choice is yours - and welcome old and new villagers from Soberton and Newtown.

We began these lunches when Allan became landlord of The White Lion to support him and the pub – and clearly this has worked!

Fine food, lovely location, convivial company!

So, please contact Sue if you wish to go on the mailing list as we do need to know numbers attending.

No pressure- come when you can.

Email: sue@poppyhill.net



The RBL's programme for 2025 begins on Monday 13th January with a talk entitled "*In the Footsteps of Lawrence of Arabia*" by local author and adventurer Charles Blackmore. The talk will commence at 1900 in Droxford Village Hall with supper available on completion for those who book in advance. There will be a cash bar available from 1830. Non-members are very welcome to attend both talk and supper. Please contact robmunroscott@aol.com at least a week beforehand if you would like supper.

In 1985, four Royal Green Jackets – Captain Charles Blackmore (3RGJ), Lieutenant James Bowden (3RGJ), Riflemen Chris Shelley (1RGJ) and Mark West (2RGJ) – set out on camels from Wadi Rumm, south Jordan, with members of the *Howeit* tribe to retrace some 700 miles of the camel journeys made by Lawrence of Arabia during the Arab Revolt in World War 1. The significance was twofold: such a commemorative venture following the routes described by T E Lawrence and mapped out in *Seven Pillars of Wisdom* had not been undertaken before, and it was the 50th anniversary year of Lawrence's untimely death following a motorbike accident near Bovington, Dorset.

What these riflemen learned about Lawrence, and his role in the Arab Revolt, was second only to what they learned about the desert and living as bedu. Dressed as Arabs they rode and walked their camels southeast to the Saudi border, across the flint desert or *asuwan* as General Sir John Glubb ('Glubb Pasha', later the founder of the Arab Legion) described it, before turning north to Syria and returning south via the Dead Sea, Petra, and back to Wadi Rumm. Beset with difficulties from bedu intrigues, camels with dysentery, getting lost and living as nomads for over a month, these camel-riding Green Jackets developed a bond with their *Howeit* camel handlers which matched only the historical importance of the arduous journey they embarked upon.

Major Charles Blackmore's talk, illustrated with slides, forms the basis of his book about the expedition *In the Footsteps of Lawrence of Arabia*.



The RBL Droxford & District Branch is always looking for new members, both Service and civilian, to help keep remembrance alive and support our Servicemen and women, veterans and their families. For more information or to join us, please contact the Secretary – Cdr Rob Scott RN at robmunroscott@aol.com or 01489 877800. www.soberton.org/rblweb.

Well, it is amazing to think that Christmas will soon be upon us again! This update also takes us into January.

On Tuesday 3/12 at 2pm at the Wickham community centre Kay Corke is giving a talk entitled "He's behind you!". Kay is very much appreciated in our community, and we greatly look forward to hearing from her. (I believe it is about pantomime)

On 17/12 at 2pm, same venue, Glynn Edwards is again organising a Christmas very light hearted quiz. We very much enjoyed his presentation last year. Both Kay and Glynn are members, and it is excellent when we can offer home grown speakers.

Our January 25 presentations are on 7/1/25 at 2pm. South East Police Cyber Crime Team "On line and off line scams".

And on 21/1/25 at 2pm. David Bailey talking on "Wildlife Wanders the stories behind the images." Scamming is a big problem for today and we are fortunate to have an expert to talk to us. David has lectured before to us and is an excellent speaker.

We meet every first and third Tuesday at 2pm at the Wickham Community Centre during the lecture season. Everybody is welcome. Guests will get an especially warm welcome. (Guests pay £2 to defray speaker costs.) Tea and biscuits are provided after the talk, and we always have pre-loved books for charitable sale

Lyndon (programme organiser)
Contact 07881991763 or lyndonplmr@gmail.com

u3asites.org.uk/meon-valley



u3a
learn, laugh, live

Local History - a Walloping Good Story?

Wallops Farm and Wallops Wood take their names from a family called Wallop who held land in Soberton from the 13th century, if not earlier, as there is written evidence that a Richard de Wallop "recovered forty shillings from the Abbot and Convent of Beaulieu for the damage done to the manor during the time that they held it of him, his father John and his mother Mabel. The latter part of the sentence sounds clumsy but property was usually held on three lifetimes. It was perhaps a small part of their Hampshire estates as the family is more closely connected to "The Wallops" in the Test Valley. The name Wallop appears in the Domesday Book so perhaps, like Hugh de Port who held estates in both Soberton and the Wallops, they came to England with William the Conqueror.

The Victoria County History of Hampshire suggests the estate, or manor, in Soberton parish given by William to Henry, his Treasurer, was that represented by Wallops Farm. No family name is given for 'the treasurer' and its subsequent history is not clear until 1242 when John Wallop is first mentioned. A century later, a Richard Wallop owned land in Soberton and Huntbourn and by the end of the 14th century the Wallop family had "a dwelling house and over one hundred acres of land at Soberton" including some that had belonged to "the Manor of La Bere". A will mentions property in the 'Manor of Soberton' held of the Bishop of Winchester which suggests that the Wallop Family may have held Huntborne.

Some members of the Wallop Family did at times reside in Soberton for an Edward Wallop appears to have been 'from Soberton' on the Winchester College Lists in 1346. However, this seems to have been a rare occasion, the parish registers, required to be kept since Henry VIII's time, show only one reference to a member of the Wallop family. The burial register shows a Peter Walloppe "gentilman was buried at Estmene" however he must have been of some significance in Soberton for it to have been recorded in Soberton burial register. Some members of the family held more humble positions such as the John Walloppe who in 1552 was curate at Corhampton.

It was during the Tudors and Stuarts that the Wallop family make a significant impact on a wider scene. When the French fleet attacked Brighton in 1513 Sir John Wallop was ordered by Henry VIII to carry out a reprisal attack. This he did with some gusto apparently, burning twenty one towns and villages and demolishing several harbours and all the French ships within. It is believed he gave his name to the verb "to wallop" as with only 800 men he was said to have "walloped to his hearts content"

During the reign of Elizabeth 1 the Monarch was hosted at Farleigh House by Henry Wallop. It is not clear if this was the same Henry Wallop whose marriage settlement to Anne

Wriothesley was annulled by her father Thomas, the first Earl of Southampton. The Wriothesley Family holding the main Manor of Soberton for four generations from the late 1540's.

The Wallop family then hammer their way through politics but not always on the right side. Robert Wallop was a Member of Parliament during the reigns of James I and Charles I. However, he sided with Parliament through the Civil War and sat in judgement on Charles I but wisely did not sign the death warrant. Therefore, at the Restoration of the Monarchy, when he was tried for treason, he lost his estates but not his head. Instead, the sentence was to be drawn upon a sledge to and under the gallows of Tyburn with a halter around his neck and to be imprisoned for life.

Robert's grandson, John, helped to restore the family fortunes. As well as being a diplomat and at the court of George I and II he excelled as a soldier. He was with Marlborough at the Battle of Oudenarde against the French in June 1708 and later began a political career representing Hampshire from 1715-20 and for the latter years he was Lord of the Treasury. His services were rewarded with the titles of Baron Wallop of Farley Wallop and Viscount Lymington and some prestigious appointments such as Governor and Vice Admiral of the Isle of Wight by which time he had gained an Earldom.

John's grandson, John, the second Earl of Portsmouth, married the daughter of Coulson Fellowes of Devon but with estates in Huntingdonshire and Hampstead. They seem to have made Hurstbourne Priors their main home. John was succeeded by his son John Charles as third Earl "who became insane". The heir to John Charles was his brother Newton. He had adopted the name Newton Fellowes when he inherited the Devon estates of his maternal uncle.

The fifth Earl, Isaac Newton Fellowes, resumed the name of Wallop when he became Viscount Lymington, the title of the heir apparent to the Earldom. He gained his illustrious first names through a Wallop ancestor who had married the great niece of Sir Isaac Newton. Isaac, fifth Earl, married the eldest daughter of Henry George (Herbert) 3rd Earl of Carnarvon at Highclere in 1855.

During this time the Wallop family continued to hold land in Soberton parish. The Tithe Map of 1840/2 shows the Earl of Portsmouth as owner of land around Wallops Wood, Forest Farm (Liberty Road),. He was also owner of land near Misingford as he is called to Droxford manor court for misdemeanor re flow of river in the 19th century. The matter evidently was not dealt with immediately which may indicate that the Earl of Portsmouth did not consider his Soberton estate as that important. However, the name is still retained at Wallops Wood.



Home-Start Hampshire supporting families in The Meon Valley

Home-Start Hampshire can offer support to anybody that has at least one child aged 0-11 years, or is expecting a baby

We support families for a variety of reasons:

- They may be feeling isolated in their community, have no family nearby or be struggling to make friends
 - They may be finding it hard to cope because of their own or their child's illness or disability
 - They may be struggling with the emotional and physical demands of having several young children
- They may have complex needs that can impact on the children's' well-being, e.g. domestic abuse, debt, drug or alcohol misuse, poor living environment, etc

Who can make a request for support?

Anybody can make a request for support to their local Home-Start Hampshire office as long as the family being referred has agreed to the request being made. Families are also able to request support themselves by making a self-referral.

To make a referral please email familysupport@hshants.org.uk or visit our website [Referrals | Home-Start Hampshire](#)

Volunteering opportunities with Home-Start Hampshire

Could you support a family with young children for 1-2 hours per week or even fortnightly? Would you like to make a difference and volunteer in your local community?

Home-Start Hampshire in The Meon Valley are currently recruiting volunteers, if you would like to learn new skills and do something rewarding please get in touch on 0330 124 2095 or email us familysupport@hshants.org.uk if you would like to know more.

[Volunteering | Home-Start Hampshire](#)

Little moments change a future - volunteer to support families in your area



HOME
START

MVARA Tai Chi

A short explanation and why everyone should do it.



Meon Valley
Active Retirement
Association

What is it?

Tai Chi is an ancient Chinese form of exercise, best known for being done slowly. It's similar to a slow-motion dance, because it consists of a long sequence of connected movements, performed in a relaxed, even manner. Perhaps surprisingly it is also a martial art (it was a demonstration sport at the 1936 Berlin Olympics and was featured in the opening and closing ceremonies at the Beijing Olympics of 2008, as well as be a concurrent tournament), as the movements are martial techniques when speeded up, but Tai Chi is usually taught for its health benefits as these are more important in modern times and are of use to everyone.

The origins of Tai Chi are lost. The earliest documented form is Chen style from the 1640s. However, there would have been a long period of development prior to this. The philosophical concepts which underlie the movements, e.g. yin/yang, are 3000 years old, being first mentioned in the I Ching (the Book of Changes). There are five main styles of Tai Chi. Each style has its own characteristics and emphasizes a particular aspect of movement. Yang style is the most popular and the most suitable for everyone, regardless of physical ability.

What's involved?

Tai Chi is done in a standing position, so although it is weight bearing it has low impact on the joints because movements are slow and even. This helps to strengthen the bones. There is no getting up and down from the floor. Wheelchair users would need a seated version which the instructor would have to adapt from a standing form so this isn't usually compatible with a 'standing' class. Chairs should normally be available for learners who need to sit just occasionally.

Typically, a class will start with some gentle warm-up exercises, followed by some Chi Kung (also spelt Qigong) exercises and then the Tai Chi form.

Benefits of Tai Chi

The Chinese believe that Tai Chi can increase and extend our health and longevity. It is a form of exercise that you get better at the longer you do it, despite increasing age. It teaches us how to move safely and to be aware of how we use our body and where our centre of gravity is, thus helping to prevent falls.

The slow, circular movements and correct alignment of the stances improve balance and coordination. The slow movements stretch and relax the muscles, promoting blood circulation. Flexibility is improved and safety is enhanced as we step in a mindful manner. This strengthens our legs and also engages the brain as we find that we easily concentrate on the execution of our movements. This has a relaxing effect on the mind.

Chi Kung (Qigong)

Chi Kung is traditionally taught in Tai Chi classes. It consists of individual exercises, chosen by the instructor. It is easier than Tai Chi but has similar benefits.

Local classes

The Meon Valley Active Retirement Association (MVARA) runs classes for the over 50s in Bishop's Waltham at the Jubilee Hall on Wednesdays. There are three classes: one for Beginners; one Intermediate; one Advanced.

The Beginners' class is 10.30-11.30 am.

Anyone interested should contact **Linda Doswell**, lindadoswell17@gmail.com. The first class is a free taster. Thereafter the classes are only open to MVARA members (Membership is £5.00 per annum) All subsequent classes cost **£5.00**.

Where have all the insects gone?

I am sure many of you have read, heard on TV or radio of the extreme decrease in the number of pollinating insects in the countryside. This is a real fact based on years of data collected by various organizations.

In fact, data shows bumblebees have been in decline for the last decade. The British Bumblebee Conservation Trust, based on data gathered by surveys, have found that 2024 is the worst year on record for bumblebees. Even our commonest species such as the large buff-tailed have become scarce.

A major cause has been the weather. The 2024 spring started well with plenty of sunshine but then became dull, cloudy and damp, then very wet. When the weather stays wet and cold flowers can close their petals or be damaged. Adverse weather also affects insect populations. If a queen bee has managed to find a nest site, she then must rear her first brood, try to keep them warm using her own body heat and feed herself. Many queen bees and their broods did not survive this spring. Continuing cloudy and wet weather through this summer resulted in those nests, having survived the spring, producing very few worker bees to collect nectar and pollen.

Another cause for decline is the lack of wildlife friendly corridors. Perversely, bumblebees and other pollinating insects are now more likely to be observed in towns and cities. This may be because flowers are being grown in small gardens and shared areas which are close together: creating wildlife friendly corridors. Conversely, rural gardens are often isolated with the land in between grazed or arable, with grasses and crops that are wind pollinated, and where wildflowers are not given space or are eaten before they can produce nectar. Bees are hard pushed to find suitable nesting sites or enough nectar to rear and feed their broods.

There are ways we can all do something to help reverse this trend.

We can't change the weather; however, we can make changes to accommodate pollinators. Consider not mowing your lawns, paddocks and road verges and try planting nectar-rich flowers to enjoy instead.

Native plants are best, but many cultivated species are an excellent source for nectar. Many plants now carry a pollinator friendly label, usually with a picture of a bumblebee.

Data collected next spring will inform the BBCT of the number of queen bees that manage to hibernate and survive the winter.



Without insects to pollinate our vegetables and flowers where will we be?

Organizations where help and advice may be found:

- Sobernewts: a group of volunteers from the villages who work when they can to manage our local wildlife sites such as Soberton Down www.soberton.org/sobernewts
- Hants & IOW Wildlife trust www.hiwwt.org.uk/search?search=bees
- Southdowns National Park www.southdowns.gov.uk/major-campaign-launched-save-bees-pollinators/
- Bumblebee Conservation trust www.bumblebeeconservation.org
- Landlife wildflowers www.wildflower.co.uk
- www.wildflowerturf.co.uk Basingstoke

Barry Proctor (retired nature reserve manager)

Need Transport to Medical Appointments?



SOBERTON AND NEWTOWN
Good Neighbours Group

Call Kate Harvey on: 07843 496 852
Kate Chesters on: 07710 716 664
www.soberton-pc.gov.uk

Wickham Society Autumn Programme 2024

Meetings are held at the Wickham Community Centre starting at 7.30 pm. Membership is £6 per annum or £2 for an occasional visitor. New members and visitors are always welcome.

10 December 2024 - Ministering Angel

Meet Nursing Superintendent Shaw, a good friend and colleague of Florence Nightingale who worked at Netley Hospital (a joint meeting with Wickham History Society).

For more information see our website or contact Wendy Greenish at wendy.greenish@gmail.com or 01329 833583 www.wickhamsociety.org.uk



Meon Valley Carers Group

For carers of someone with Dementia
Receive support, information and signposting
Meet and talk to others carers in similar situations

4th Tuesday of each month 2pm - 4pm
at The Paterson Centre, Church Road, Swanmore, SO32 2PA

The programme for these meetings is varied with speakers ranging from necessary, interesting, factual information to more lighthearted subjects.

Built into the group meetings are arts and crafts, musical afternoons and games suitable for those living with Dementia.



You will be given a warm welcome!



Tea coffee and biscuits provided

Free parking in the car park opposite the Paterson Centre

If you are not already registered with us, please contact our Referrals and Enquiries Team

Telephone: 01264 332297 (select option 3)
or email enquiries@andovermind.org.uk



MEON VALLEY

HEARTSTART
UK

Meon Valley Heartstart is looking to appoint a new Chair. Do you have some time to dedicate to this worthwhile group?

All other officers are in place so full support in place from day one.

If you are interested, please contact Steve Smallwood via phone or email, details below.

Phone 07976 724 107

email shsmallwood@btinternet.com

SOBERTON PARISH COUNCIL

Chairman's notes

*inc Newtown, Hundred Acres, Hoegate, Soberton Heath, Kingsmead,
Brockbridge and Soberton*



Members leaving the council

Cllr David Salmon and Cllr Rachel Cole have for very different reasons decided to leave the council and I would like to take this opportunity to thank them both for their time and energy spent on behalf of the residents of the parish. David has been a councillor for over 15 years and during this time organised the monthly work for the parish lengthsman who undertook all sorts of small jobs throughout the parish from small ditching schemes to painting bollards and much more to keep the parish looking tidy, thank you David.

Rachel who joined the council at the last election has recently returned from maternity leave, not surprisingly at present her time is at a premium and we hope when her family commitments allow she will stand again to be a councillor, thank you Rachel.

Vacancies

The next full Parish Council election is due in May 2026 when all existing members of the parish council and, it is hoped, new candidates will stand for election. In the meantime, the PC is looking to fill the two vacant seats through a co-option process for the remainder of this council period (up to May 2026). Please see a separate announcement advising how this process works, and if you are interested in joining the parish council, please contact the parish clerk Cheryl Gosling (email clerk@soberton-pc.gov.uk)

Email and website domain name

The parish council has been advised by the National Association of Town and Parish Councils that it should change its domain from soberton.org to soberton-pc.gov.uk, to bring us into line with all other local authorities. We will commence this migration over the Christmas period and run both domain names for a short period to ease the transfer.

Recreation Ground/Children's Play area

The PC is pleased to report that a specialist contractor has been appointed to carry out works to the field of play at the Recreation Ground. The work will commence this spring having been delayed due to the wet weather earlier in October. The work includes drainage, levelling and seeding. The children's play area (CPA) also requires considerable investment. The PC are exploring a series of options and the

availability of grants to assist with the costs. The CPA is inspected regularly by third party inspectors and work will be carried out to ensure the equipment remains safe for users. This work will be carried out early in the new year.

Trees and hedges around the Recreation Ground will be pruned this winter.

Public Telephone Box, School Hill, Soberton

One of the two remaining public telephone boxes in the parish is on School Hill and I'm pleased to report that it has recently had a new panel fitted (presumably by BT). The phone works using a phonecard.

The Meon Valley Community Bus

At its October meeting the Council agreed to support the community bus (which has recently lost some funding from Hampshire County Council) for the Petersfield route. It was agreed that this lost funding could be replaced in full by the five parishes the bus serves, all committing £1,000 annually.

Remembrance Sunday 2024

This year the Royal British Legion Remembrance Service was held at St Peter's Soberton with wreaths being laid at the memorials in the High Street and at the Lytch Gate at Holy Trinity Newtown. A special thanks to Charles Wylie who assisted me in presenting the wreaths at St Peter's, and thanks to Anthony McEwen and Norman Chapman for organising the service and those of you who attended the memorials.

Road Safety

Hedgerows adjacent to roads and lanes across the parish are impeding visibility. It is the landowner's responsibility to prune/cut back this year's growth. This has become an urgent task in some areas and we urge everyone who is responsible for hedges adjacent to lanes to carry out maintenance now making our parish a safer place to walk, cycle, ride and drive.

Hampshire County Council Survey (HCC)

HCC are seeking input from residents to identify locations where physical barriers make it awkward and challenging to walk, cycle, wheel or scoot. The survey, which is open until Sunday 22 December 2024, seeks feedback to help pinpoint locations where there are obstacles, such as bollards, that make getting around difficult for people who have restricted mobility and need to use a mobility scooter, or for those pushing prams or riding cargo bikes for example. See link

<https://www.hants.gov.uk/News/20241101SurveyWalkCycleBarriers>

Soberton Parish Council wishes everyone a Merry Christmas and a Happy New Year

John Hyland
Chairman chair@soberton-pc.gov.uk
www.soberton-pc.gov.uk

BECOME A PARISH COUNCILLOR – MAKE A DIFFERENCE IN YOUR COMMUNITY!

Soberton Parish Council is looking to co-opt two Parish Councillors.



This is an exciting time to join a dynamic and forward-thinking council and we would love to hear from you if you fit the eligibility criteria and would like to make a real difference in your community. Please contact either the Parish Clerk or any Councillor for any more detail.

To apply please complete the application form available on our website: www.soberton-pc.gov.uk **or email the Clerk to receive the form by email:** clerk@soberton-pc.gov.uk **Closing date: 30 January 2025. The co-option will take place at the meeting on 18 February 2025 .**

You should consider becoming a Parish Councillor if:
You would like to do something positive for your community
You would like to spend your time productively
You can think, listen and act locally



Welcome to Martin, Chair of the Southwick Revival Committee, and Audrey Bazeley who moved into Soberton Heath in the summer! A great event, enjoyed by many from Soberton and Newtown!

RECORD YEAR FOR THE SOUTHWICK REVIVAL – MANY CHARITIES RECEIVE BUMPER DONATIONS



An astonishing £95,400 total raised for charity was recently announced receiving loud applause in a cheque presentation evening following the huge success of the Southwick Revival weekend held in the 80th Anniversary Year of D-Day back in June 2024.

Mr Martin Bazeley BEM, Chair of the Southwick Revival Committee thanked the individuals, groups and organisations who made this year a spectacular success. The Southwick Revival was awarded Best Community Event in Hampshire by the Hampshire Association of Local Councils.

Since it began, the Revival has raised a massive £324,000 with the Committee distributing donations to military charities and local organisations. In 2023 the Revival raised £46,000 so 2024 smashed that amount by double figures. The record fundraising figure is a tribute to the efforts of an enthusiastic committee of volunteers from the local area, generous sponsors from Hampshire-based businesses and supportive vintage re-enactment groups, assisted by military neighbours at DPSG Southwick Park, Southwick Estate, Fort Southwick and the National Museum of the Royal Navy.

The Revival's headline sponsor, Lockheed Martin plc, a longstanding supporter had the privilege of presenting the donation cheques. The company's representative, Mr Ben Barron was delighted to handover the large cheques to each of the charities' representatives. Cheque donations were presented to SSAFA the military families' charity received £20,000. The homeless charity for veterans, Alabare received £5000 while more locally, Rowan's Hospice received a £15,000 donation in addition to an interim donation earlier this year.

Other organisations to receive generous cheque donations included:

Wickham Pantry, Royal Marines Voluntary Cadet Corps, Gosport, Denmead Scout Group, CPPTD (vintage bus charity), the Military Wives Choir, Young Farmers' Club, **SNUG (local Ukraine support group)** Models for Heroes, RAF, Army and Royal Navy Benevolent Trusts, Battle of Britain Memorial Flight, Spirit of Normandy Charity. Money was also donated to Southwick Park's Families' Day, the People's Mosquito, Project Sarah and local organisations in Southwick including the D-Day Memorial Hall, Priory Club, Youth Group, St James' church and the Toddlers Group.

At the evening presentation, key members of the Committee were presented with gifts in thanks for their dedicated voluntary service and who were now stepping down from their roles. Treasurer Trevor Ling and his wife Marilyn were presented with a special engraved glass bowl while an

engraved tankard was presented to Mark Lawrence who has given tremendous support to the village over the past decade.

Martin Bazeley thanked the visiting public who threw themselves into the spirit of the event, dressing in vintage costume and enjoying the vintage motorcade rumbling through the village High St. Many military vehicle displays had travelled directly from the beaches of

Normandy having taken part in the international events across the Channel. The amphibious vintage DUKW vehicle was so keen to take part in the Revival that,

having missed the Channel ferry, heroically launched into the English Channel in Normandy to 'swim' across to Portsmouth Harbour and then drive over the hill to Southwick village after an epic sea voyage home to Blighty!



At the presentation evening it was announced that the 2025 dates for the Southwick Revival will be held on 7th and 8th June and themed: "D-Day to VE Day" marking the 80th Anniversary of the end of the war in Europe after the Allied Troops liberated Paris. There will be a distinctly French flavour to the celebrations in Southwick.

Tickets will go on sale in the Spring of 2025 on the Southwick Revival website: <https://southwickrevival.co.uk>

In the meantime, the winter series of related speaker presentations will continue in the D-Day Memorial Hall Southwick, the next speaker will be Alan Watson OBE on the subject of The Enigma Machine and the World of WWII Cryptography on Thursday 21st November.

Find out more about all the fascinating Winter series of talks at this link: <https://southwickrevival.co.uk/southwickspeaks/>

BACKGROUND

In the 80th Anniversary year, the Southwick Revival was significantly enhanced by the presence of direct descendants of the Supreme Allied Expeditionary Leadership who had based their 1940s Headquarters on Southwick Estate land.

The Revival was opened by these distinguished descendants, introduced initially by the Deputy Lord Lieutenant of Hampshire Charles Ackroyd. Susan Eisenhower, granddaughter of General Dwight Eisenhower who in 1944 was the Supreme Allied Leader of the Expeditionary Forces landing in Normandy and was later elected President of the United States. Susan was accompanied back from Normandy to Southwick by Viscount Henry Montgomery grandson of General (later Field Marshal Viscount Bernard Montgomery). They travelled in the original Rolls Royce that Monty had landed on the beaches of Normandy after D-Day and then used this prestigious car travelling around France during the war. The son of Eisenhower's Deputy, Air Chief Marshal Sir Arthur Tedder, was Professor Richard Tedder who spoke of his father's key role in the hosted panel during the Revival along with Admiral Sir Bertram Ramsey's grandson, Will Ramsey.

CENTRAL MEON VALLEY - COUNCILLORS REFLECTIONS

Winter on the Horizon: What's in Store for the Meon Valley?

As autumn leaves fall, signalling the approach of winter, it's natural to wonder: will this winter be a cold, classic one or a warmer, wetter season? No one can say for sure, but it's wise to be prepared for both. While residents get their homes ready, local councillors are navigating their own uncertainties, particularly regarding the budget pressures hitting Hampshire and Winchester councils. But always with a mind's eye to protecting our local services.

Our workload has now turned to the Winchester District Council's Carbon Neutrality Action Plan (CNAP), which sets ambitious goals for reducing energy use, lowering transport emissions, and expanding renewable energy. An interesting emerging focus is the creation of local carbon and biodiversity credits to achieve carbon neutrality and nature protection which is now attracting our attention. In parallel, we continue to scrutinise new initiatives and objectives for the new 2025-2030 Winchester Council Plan, which is set to guide all council decisions in the coming years.

The Council has completed the review of the draft Winchester Local Plan, which addresses planning and development across the district. Several proposed policies are raising eyebrows, especially around protecting biodiversity, managing flood risks, and advancing carbon neutrality as it is a contention that these don't go far enough. With the plan due for examination by the Planning Inspector in late November, residents and councillors alike are eager

to see how it will evolve. We have raised a number of concerns about the limitations of the aforementioned policies. For your 2025 diaries please note the South Downs National Park Local (SDNP) Plan will be open for public consultation for 8 weeks commencing in January.

Closer to home, one of the biggest concerns that has been troubling your Councillors for a long time is the high number of unauthorised developments across the Central Meon Valley ward. A snapshot in October 2024 identified 73 active enforcement cases, 43% of which are in the South Downs National Park area, and a staggering 41% concentrated in Soberton alone. Some of these cases have been unresolved for as long as eight years, creating environmental and community tensions while stretching the capacity of planning staff. Your Councillors continue to push for a speedy reduction/prevention of the high number of Enforcement cases with hoped for new stricter regulations. We will keep the community informed of any breakthroughs in this prolonged struggle.

So, as we brace for winter and face uncertainties we remain optimistic that the challenges on the horizon can be managed or at least reduced in their harm through our combined efforts.

Our next Councillors Surgery programme will be announced shortly - please watch our Facebook page - <https://www.facebook.com/meonvalleycouncillors/>

We wish you a wonderful Christmas and a very Happy 2025.

Cllr Malcolm Wallace (mwallace@winchester.gov.uk)

Cllr Danny Lee (dlee@winchester.gov.uk)

Cllr Suzanne White (swhite3@winchester.gov.uk)





Health of our Children

In the 2023-2024 annual report of the HCC Director of Public Health it was disclosed that in Hampshire 21% of Year R pupils and 32% of Year 6 pupils



were overweight or very overweight in 2022/23. Just over one in five Hampshire children are overweight and obese when they start primary school, and this rises to over one in three by the

time they leave primary school. Several studies show that the COVID-19 pandemic has led to an increase in childhood overweight and obesity.

Children who are overweight or obese are more likely to experience other associated physical health conditions, for example breathing difficulties, bone and joint problems, insulin resistance, high blood pressure and dental decay. Alongside the physical health impact, emotional health issues can also influence a child's life now and in the future. These are not only felt by the individual but also by those connected with children at home, school and in the wider community. The impact of this is noticeable across the life course. Studies show that obese children and young people are five times more likely to be obese in adulthood than those who were not obese as children. This brings with it significant increased risks for heart disease, stroke, diabetes and some cancers, reducing the number of years people live in good health.

The cost to public services is significant, particularly the health service. The annual cost of obesity in Hampshire could be as much as £540 million annually with a wider cost to society, through loss of work productivity and social care needs. For full report see

- <https://documents.hants.gov.uk/public-health/director-public-health-annual-report-HCC-2023-24.pdf>

Make it Easier to Walk and cycle in Hampshire

Residents are being asked to help Hampshire County Council identify locations where physical barriers make it awkward and challenging to walk, cycle, wheel or scoot. The survey, which **is open until Sunday 22nd December 2024**, seeks feedback to help pinpoint locations where there are obstacles, such as bollards, that make getting



around difficult for people who have restricted mobility and need to use a mobility scooter, or for those pushing prams or riding cargo bikes for example.

Feedback can be provided via the <https://www.hants.gov.uk/transport/transportscheme/s/barriers-walking-cycling>. We want people to tell us where there are:

- Crossing points that are difficult to use because they don't have dropped kerbs and tactile paving
- Dropped kerbs which are not level with the road
- Staggered or chicane barriers
- Bollards placed too closely together
- Pavements made narrow by items such as guard railings, lampposts and signposts
- Misleading or unnecessary cycle signs and where new or additional cycle parking may be needed

Responses to the survey will help the County Council to secure the funding to make improvements to roads and pavements by providing evidence to support applications for Government funding, or in negotiating contributions from developers building new housing developments.



Information gathered through this survey will be key towards the delivery of the County Council's recently adopted Local Transport Plan 4 - which aims to influence and shape the way people travel over the next ten or more years - boosting economic prosperity, reducing carbon pollution, promoting healthy lifestyles and building stronger communities.

About the Local Transport Plan Central to the Local Transport Plan - <https://www.hants.gov.uk/transport/localtransportplan-4> are the following two principles, which are intended to guide what the County Council does to improve travel and transport infrastructure for the future:

- To widen the choice of travel options that people can use.
- To provide a transport system that puts people first and creates high quality and prosperous places.

The Plan finds a balance between the movement of vehicles with the needs of people. It sets out frameworks to guide future transport planning and the policies that would be applied to create thriving and attractive places where residents can travel around easily.

Proposed schemes for further development are also included in the plan such as the roll out of electric vehicle charging infrastructure, higher quality bus services in urban areas, better quality cycle facilities,

changes to our roads to reduce congestion and improvements to high streets and town centres so they are more accessible and safer for shared use by pedestrians, cyclists as well as those pushing prams and those in wheelchairs.

M27 Junction 10 Improvement Scheme

Hampshire County Council has announced that the M27 Junction 10 improvement scheme is full steam ahead following the completion of formal funding agreements with Buckland Group, the developer of Welborne Garden Village, and Homes England. The construction of the £100m+ upgrade will support the development of Welborne to the north of Fareham, underpinning the delivery of 6,000 new homes, new community amenities, and providing job opportunities for the region. It will deliver a new motorway underpass and three new slip roads to the west of the existing M27 Junction 10. A new dual carriageway will also be built to link the new slip roads to the existing road network.



The County Council is delivering the scheme, working closely with National Highways, and has appointed VolkerFitzpatrick as the contractor. The estimated completion date is late 2026.

Most of the construction work for the scheme will be on land away from the existing public highway to minimise disruption. However, to ensure that key elements of the work can be carried out safely, there will be some temporary impacts for road users. There is currently reduced capacity on the A32 north of the M27 and south of the Knowle roundabout, with one lane open in each direction. This arrangement is expected to stay in place until early 2026.

Over the Christmas period in **2025**, a new underpass will be installed under the M27 just west of the existing A32 overbridge. The underpass will be pre-constructed as a concrete box on land next to the M27 and then slid into position using an innovative 'boxslide' engineering approach, significantly shortening the construction time and reducing disruption to motorway users. This will require a full closure of the M27 between Junction 9 and 11 over the **2025** Christmas week next year when traffic levels are lower. Closure dates and travel advice will be provided in advance of this important phase of the scheme once the work plans are finalised.

Regular updates about the scheme including travel impacts will be available from Hampshire County Council's website www.hants.gov.uk/transport/transportchemes/m27junction10 – and through Hampshire County

Council's social media accounts. People can sign up for email updates via these webpages.

Food Pantry

I set up Food Pantries about four years' ago when I was a Cabinet member at HCC. Did you know that anyone can use a Food Pantry [it is not the same as a food bank]. It is NOT means tested. You simply complete a Membership Form and then pay £6 every time you attend. In return you may select goods to the value of £20 every time you attend. There is an excellent food Pantry at Wickham Community Centre, every **Tuesday afternoon** 1.00 pm – 3.00 pm and 6.00 pm – 7.15 pm To find out more email wickhampantry@gmail.com or go online to <https://wickhamcommunitycentre.org.uk/page/wickham-pantry> or simply turn up at the Pantry. There are no age restrictions and it is not means tested. The Wickham Pantry is very well organised, you make your own selection of food, vegetables, pet food, hygiene and sanitary wear, cleaning materials, etc in a shopping basket. The Wickham Pantry is in Wickham Community Centre, Mill Lane, Wickham and there is plenty of free parking. Although based in Wickham the Pantry is open for all residents to attend, including those who live in Soberton or Newtown!



Community Grants

Don't forget that grant applications for a Councillor grant are now open. These grants are intended to help small, local, community groups eg lunch clubs, scouts, community centres, village associations, school PTAs, local Church, etc. Grants allocated are fairly small and **MUST** meet the published criteria. See - <https://www.hants.gov.uk/community/grants/grants-list/county-councillor>. Also, you must discuss with your County Councillor **BEFORE** application is made. All applications must be made online. *I look forward to hearing from you!*



Finally, a reminder that I have a Councillor Surgery, held on the first Saturday of every month, in the Heath Room, All Saints Church, Denmead, 10.00 am – 12 noon. No appointment necessary.

Patricia Stallard
Hampshire County Councillor
Winchester Southern Parishes
[Newlands, Denmead,
Southwick, Boarhunt,
Wickham, Knowle, Soberton,
Newtown]

patricia.stallard@hants.gov.uk





Meon Valley Community Bus Association Timetable



Meon Valley Community Bus Association

An all volunteer service

Mondays, 2 nd and 5 th Friday to FAREHAM	
0900	West Meon Thomas Lord PH
0903	Warnford Village Hall
0908	Exton The Shoe PH
0910	Meonstoke PO & Stores
0914	Meonstoke Pound Cottages
0921	Droxford Square (PARK & RIDE)
0925	Brockbridge The Hurdles
0930	Soberton Village Hall (PARK & RIDE)
0933	Webbs Green War Memorial
0936	Soberton Heath Chapel Road pond
0938	Soberton Heath Bold Forester PH
0940	Newtown Rookesbury Hall (PARK & RIDE)
0945	Hundred Acres
0957	Fareham Library
1002	Fareham Sainsbury's
Return:	
1200	Fareham Sainsbury's
1205	Fareham Library

3rd Friday Each Month to HEDGE END	
0900	West Meon Thomas Lord PH
0903	Warnford Village Hall
0908	Exton The Shoe PH
0910	Meonstoke PO & Stores
0914	Meonstoke Pound Cottages
0921	Droxford Square (PARK & RIDE)
0925	Brockbridge The Hurdles
0929	Soberton Village Hall (PARK & RIDE)
0933	Webbs Green War Memorial
0935	Soberton Heath Chapel Road pond
0938	Soberton Heath Bold Forester PH
0940	Newtown Rookesbury Hall (PARK & RIDE)
0945	Hundred Acres
1007	Hedge End Marks& Spencer
Return:	
1200	Hedge End Marks& Spencer

4 th Friday Each Month to WATERLOOVILLE	
0900	West Meon Thomas Lord PH
0903	Warnford Village Hall
0908	Exton The Shoe PH
0910	Meonstoke PO & Stores
0914	Meonstoke Pound Cottages
0921	Droxford Square (PARK & RIDE)
0925	Brockbridge The Hurdles
0929	Soberton Village Hall (PARK & RIDE)
0933	Webbs Green War Memorial
0936	Soberton Heath Chapel Road pond
0938	Soberton Heath Bold Forester PH
0940	Newtown Rookesbury Hall (PARK & RIDE)
0957	Waterlooville Waitrose
1005	Waterlooville Sainsbury's
Return:	
1200	Waterlooville Sainsbury's
1205	Waterlooville Waitrose

1 st Friday Each Month to WINCHESTER	
0900	Soberton Village Hall (PARK and RIDE)
0904	Brockbridge The Hurdles
0909	Droxford Square (PARK and RIDE)
0915	Meonstoke Pound Cottages
0919	Meonstoke PO & Stores
0921	Exton The Shoe PH
0926	Warnford Village Hall
0946	Winchester Broadway
0953	River Park Leisure Centre
Return:	
1155	River Park Leisure Centre
1200	Winchester Broadway

Wednesdays to PETERSFIELD		Return
0900	Soberton Village Hall (PARK and RIDE)	Petersfield Tesco 1155
0904	Brockbridge (The Hurdles)	Petersfield Sq 1200
0909	Droxford Square (PARK & RIDE)	Warnford George and Falcon 1221*
0916	Meonstoke Pound Cottages	Corhampton 1224*
0921	Corhampton	Pound Cottages 1229*
0924	Warnford George and Falcon	Droxford square 1236*
0945	Petersfield Square	Brockbridge (The Hurdles) 1301*
0950	Petersfield Tesco	Soberton Village Hall 1305*
<i>Note: Includes all request stops up to and including West lodge (Church lane)</i>		<i>* Drop off only and approx dependent on passenger numbers.</i>

No service on other days or Public holidays. £6 return, £3 single any journey. Bus passes accepted . Under 16 half fare. Under 5 free.
 Dogs allowed subject to driver discretion. Timings are strict, bus will not wait after scheduled time.
 All enquiries to : mvcba1985@gmail.com ☎07300 425305

Do your Christmas Shopping in our brand new bus!

The **Meon Valley Community Bus** has undergone a major facelift, with a brand new bus, and brand new livery.

After 8 years our old bus has been retired, and replaced with a new, updated version but, don't worry, the service remains as great as ever.

We'll still pick you up at our regular stops (or nearer your home, if agreed beforehand), deliver you to your destination & take you home a couple of hours later. Our friendly drivers will even take your shopping to your door!

Please see our regular timetable on this page, and on our website www.meonvalleybus.co.uk and don't forget the bus is also available for private hire.

A full launch press release will be published in the new year but, if you require more information, please email us on info@meonvalleybus.co.uk, or call on 07300 425305.

WISHING ALL OUR FRIENDS AND NEIGHBOURS
A MERRY CHRISTMAS AND A HAPPY NEW YEAR



JC & H
Liz and Tom Busher
Ken and Nicky Giles
Sue and Steve Houlding
Michael & Lynn Denison
Franky and John Watkins
Jane Masterman and Andy James
Jo, Andrew, Alfie & Violet - Meon Place
Helen and Bob Stranks
Marianne Barker
Dick and Rosemary
Robin and Peter Hughes
Julie and Graham
Margaret and Tony Bell
Miriam and Barry Rowswell
Chris and Faith Mortimer
Denise and Peter Richards
Barry and Sandra Henderson
David and Jill Williams
David and Jane Salmon
Gus and Liz from Cornwall
John, Susan, Patrick, Joanna, Henry and Holly
Louise and Anthony and Tiggy the Puppy
Hugh, Phil, Patrick and Sarah
Sam, Matt and Whippets Dunlop
SNUG (Soberton & Newtown Ukraine Group) & UR (Ukraine Relief)
Everyone at the White Lion
Zoe and Simon Phillips
Ian and Cherry Wynne-Powell
Iain and Jane Rennie
Jane Beardmore
Tony and Connie Collins
Denise and Perry
Pauline Walters
Mary Wren
Sue and Bob
Bob Goble
Gill and Brian Gray
Liz and Nigel Whales
Pete and Jill Woodacre
Pride in Newtown and Soberton
(PiNS)

CHRISTMAS 2024