

Soberton & Newtown

PARISH MAGAZINE For all the community, delivered FREE to over 700 households

April - May 2024



Cover design: Jonty Sherwill

Bluebells in the Forest of Bere
Archive photo by Jonty Sherwill

www.sobertonchurch.org.uk
www.newtownchurch.org.uk

St. Peter's, Soberton and Holy Trinity, Newtown.

For details of **CHURCH SERVICES**, please refer to page 4

For any enquiries, please contact the following

Vicar of Soberton, Newtown and Hambledon

The Reverend Andy Davis, Priest in charge of Meon Valley Parishes
revd.andydavis@gmail.com
07709 919602

Licensed Lay Minister (Reader)

Norman Chapman, Meadow Cottage, West Street, Soberton 01489 877378
e-mail: norman@soberton.org.uk

Our Lady Queen of the Apostles, Roman Catholic Church

St. Martin's Street, Bishop's Waltham, SO32 1DN
Father Bruce Barnes (brucebarnes01@gmail.com) 01489 890947

6.00 pm Saturday (First Mass of Sunday)

9.30 am Sunday

There are Sunday evening services in Winchester and in Fareham.

For further information contact Anthony McEwen 01489 877448

The Methodist Circuit. Services in the area are as follows:-

Shirrell Heath 10.30 am & 6.00 pm

Waltham Chase 10.30 am

Bishops Waltham 10.30 am

Swanmore 10.30 am & 6.00 pm

Hambledon 11.00 am & 6.00 pm

MAGAZINE PRODUCTION & COMMITTEE

<u>Chairman</u>	Perry Abbott	02392 632338	cpgabbott@hotmail.com
<u>Editor</u>	Gill Gray	07711 058760	gill.highcroft@btinternet.com
<u>Advertising</u>	Kate Buttriss	07801 441998	kate.buttriss@gmail.com
<u>Circulation</u>	Pete Woodacre	01489 877768	petewoodacre@gmail.com
<u>Treasurer</u>	Anthony McEwen	01489 877448	anthony.mcewen@btinternet.com
<u>Secretary</u>	Paula Hobbs	07469 258022	paulajhobbs@live.co.uk

Typesetting of adverts and printing: Solent Design Studio solentdesignstudio.co.uk

Front cover design: Jonty Sherwill 01329 835161 www.sherwilldesign.com

Contents

- 4 ❖ The Benefice of Soberton, Newtown & Hambledon – Services
- 4 ❖ Pop in for coffee & cake at St Peter's
- 5 ❖ Introducing The Reverend Andy Davis, Priest-in-charge, Meon Valley Parishes
- 6 ❖ Newtown Fete 2024 – what's on!
- 7 ❖ Newtown Fete 2024 – how you can help!
- 8 ❖ News from the Pews (of St Peter's)
- 9 ❖ C.A.N.S (Climate Action for Newtown and Soberton) Spring News
- 10 ❖ Get to know your SoberNewts
- 11 ❖ Children's Week 2024 – registration opens on 1st April!
- 12 ❖ Get your valuables valued ... and fund raise for Rookesbury Hall
- 12 ❖ Soberton & Newtown Ladies' Group
- 13 ❖ Soberton Church Flower Group
- 14 ❖ Soberton Village Hall – Chairman's Report
- 15 ❖ Soberton Fete 2024
- 15 ❖ Soberton and Newtown Local History Society
- 16 ❖ Soberton club players star in 3 Leagues
- 17 ❖ Macmillan Coffee Morning
- 18 ❖ Droxford Junior School – Amazon Wishlist and Ofsted
- 19 ❖ Soberton and Newtown Guide Hut Committee Village Trail – hold the date
- 20-34 ❖ Classified Adverts – please support our local businesses
- 35 ❖ What's on (Village Diary) The Underground Stream by Charles Wylie
- 36 ❖ Colouring page
- 37 ❖ Soberton and Newtown Young Voices
- 37 ❖ Volunteer required for Young Voices reporter
- 38 ❖ Meon Valley u3a
- 38 ❖ RBL Droxford & District Branch
- 39 ❖ Meon Valley Garden Club – Spring Plant Sale
- 40 ❖ D-Day – 6th June 1944
- 41 ❖ Local History ... our villages and D-Day
- 41 ❖ The Elms or Elm Cottage – can you help locate?
- 42-43 ❖ Meon Valley Bowling Club – open day
- 43 ❖ Meon Voices Spring Concert
- 44-45 ❖ Soberton Parish Council - Chairman's notes
- 45 ❖ Good Neighbours Group
- 46 ❖ Why do toads cross roads? Hampshire & Isle of Wight Wildlife Trust
- 46 ❖ Sobertots playgroup
- 47 ❖ Winchester City Council – District Councillors
- 48-49 ❖ Hampshire County Council
- 49 ❖ Visit the Houses of Parliament
- 50 ❖ Meon Valley Community Bus Timetable
- 50 ❖ Wickham Society Spring meetings
- 51 ❖ Useful information
- 52 ❖ From the Archives.....

Please e-mail copy for the June / July magazine to

gill.highcroft@btinternet.com

NEXT COPY DATE - 20th May 2024

**The Benefice of
Soberton,
Newtown &
Hambledon**

Services

**April 2024
May 2024**

*Subject to change,
sometimes at short notice*

APRIL

7th April

0800	Holy Communion	Hambledon
0930	Holy Communion	Newtown
1100	Holy Communion	Hambledon

14th April

1100	Holy Communion + Sunday Club	Soberton
1100	Holy Communion	Hambledon

21st April

0930	Holy Communion	Newtown
1100	Morning Worship	Soberton
1100	Service of the Word	Hambledon
1830	Evensong	Hambledon

28th April

1100	Holy Communion	Hambledon
1800	Holy Communion	Soberton

MAY

5th May Rogation Sunday

0800	Holy Communion	Hambledon
0930	Holy Communion	Newtown
1030	Short family service	Hambledon

9th May Ascension Day

1900	Deanery Service	Hambledon
------	-----------------	-----------

12th May

1100	Holy Communion + Sunday Club	Soberton
1100	Holy Communion	Hambledon

19th May

1100	Morning Worship	Soberton
1100	Holy Communion	Hambledon
1830	Choral Evensong	Hambledon

26th May

1000	Holy Communion, Holy Trinity Patronal & Fete Service	Meonwood, Newtown
1800	Holy Communion	Soberton

Holy Communion or Morning Prayer is celebrated every Wednesday at 0930 at Hambledon, and a short service of reflection at 1715.

POP IN FOR COFFEE AND CAKE

at ST PETER'S CHURCH ROOM, SOBERTON



POP IN FOR COFFEE & CAKE ON THE 2nd AND 4th WEDNESDAY IN THE MONTH
10AM – NOON

MEET FRIENDS, MAKE NEW FRIENDS AND HAVE A CHAT

Introducing The Reverend Andy Davis, Priest-in-charge, Meon Valley Parishes

To everyone in the Meon Valley Parishes: "Happy to Help!"

I once spent some time as an Asda Chaplain, and wore a very bright lime-green jacket with a big badge saying, "Happy to Help!"

That would be my simple message to everyone in the Meon Valley Parishes: it is not my style to give orders or tell others what they should be doing. I am simply "happy to help".

I am so looking forward to working with the clergy, Readers, PCCs, churchwardens and the many, many others who already serve so faithfully in all the parishes. I aim to come alongside in friendship and mutual support, rejoice in what you are doing, and learn from all of you!

Initially, I will need to focus on taking services at Swanmore (because part of my role is being their incumbent) but that will be alongside those who have been faithfully ministering and taking services there in recent times and who will – I am sure – continue to be actively involved. As far as the other parishes are concerned, I would prefer to (gradually!) come along and experience services (with the express agreement of the person officiating) so that I can get a feel for what you do, and honour those who are already leading your services. But I would of course be very open to invitations to be involved with any particular parish services or events!

Rest assured, that I have no agenda, and there is no "secret plan". I am determined to honour all the churches and their particular traditions, taking plenty of time to get to know the customs (and quirks) of each.

I firmly believe that if our various church communities feel confident that their identities and traditions are being honoured, celebrated and strengthened, it becomes much more likely that they will be happy to work more closely together and benefit from sharing their strengths (and their struggles).

I hold you all in my prayers, and I look for to (gradually!) meeting everyone.

A little bit more about Andy

I am a Meon Valley boy. I was born and raised in Shedfield. After attending Shedfield Primary School, I went to secondary school in Swanmore and then on to do A Levels at Price's College in Fareham



I studied for a BSc in Psychology at Bath University and later, a Bachelor of Divinity degree from Edinburgh University, where I did my theological training. This included an extended placement in New York!

I was ordained deacon and a year later, priest. I began my ordained ministry with three fixed-term posts of three, four and three years respectively – followed by three incumbencies. All but one post has been in Portsmouth Diocese, where I have also served in a wide range of deanery and diocesan roles. I have attended and/or taken services in all the Meon Valley churches at some point.

The three incumbencies followed: Rector of Bishop's Waltham and Upham (so I have served in the deanery before); Vicar of Christ Church and Holy Trinity in Gosport; and most recently, Priest-in-Charge of Bramley (the Surrey Bramley in Guildford Diocese, rather than the Bramley in Hampshire).

I have been married to Christine (Chris) since 1996. We have always had cats – currently a black and white rescue cat called Lou-Lou ("Lou" for short).

I like to relax with a gin and tonic or a glass of red wine and by walking or taking a bike ride. I like to read widely (mostly non-fiction) and I enjoy trashy films and comedy shows.



NEWTOWN CHURCH FETE 2024

looks forward to welcoming you on

Saturday 25th May at Meonwood

Fete to be opened by the Reverend Andy Davis, Priest-in-charge, Meon Valley Parishes

- 13.00 Classic and Interesting Car Display open for viewing
- 13.30 Gates to the garden open
- 14.00 Opening Ceremony by Reverend Andy
- 14:05 The fun and games begin!

- Grand Draw * Stalls
- Sideshow * Ice Creams
- Home Made Teas * Pet Farm
- Barbecue and Beer Tent
- Classic/Interesting Cars and Tractors * Pimms Tent
- Face Painting * Bouncy Castle
- Cuddly Duck Fishing * NCFCC
- Thomas the Tank Engine
- Arena Café and Bud Bar
- Treasure Hunt * Auction of Promises **and so much more!**

Stalls take cash only, but we have a cashpoint available should you run out!

New for 2024 ... the NCFCC, Newtown Church Fete Cash Competition!

Scan the QR code for a chance to win £150!

If you've ever wished you'd won the £150 cash prize in the Grand Draw, but didn't, this is for you! The NCFCC is an opportunity to win another £150! Just scan the QR code, answer the question, and enter! It's open now and will close at 16:00 on the day of the fete, £1 per entry. Good luck!



A quick peep at the Auction of Promises ... more being firmed up!

Early bids (and any new lots) to John Barfoot (contact details below).

- A day fly fishing on a classic Hampshire chalk stream with an experienced guide, donated by Jerry Martin
- Vouchers for the maintenance of garden machinery kindly donated by Carters of Swanwick
- Catered dinner / lunch at Meonwood (June 2024), kindly donated by Sue Wells
- A night in the Woodland Hut, Soberton with 2 hours hot tub, kindly donated by Anna Easton
- Luxury hotel experience at The Pig, kindly donated by Imogen Lyndon-Skeggs
- Winery tour for 4, kindly donated by Quob Park Estate Vineyard
- Some innovative 'green' lots ... watch this space!

And don't forget the Grand Draw! Top prizes include (with many more for all the family)

- £150 Cash kindly donated by Saje UVPC - **yes, another £150!**
- £100 voucher kindly donated by Meon Valley Butchers
- 6 bottles of Veuve Clicquot Champagne
- Tea Hamper kindly donated by Twinings
- £50 voucher at Gaudions Hairdressing

Newtown Church Fete team ... newtownfete@gmail.com		
John Barfoot	07974 232296	johnbarfoot1962@gmail.com
Stuart Doherty	07734 200144	stuardoherty4@gmail.com
Gill Gray	07711 058760	gill.highcroft@btinternet.com
Matt Rees	07793 219705	matthewjrees@hotmail.com
Mike Guy	07711 850043	mikejguy@btinternet.com
Sue Wells	01329 834130	sjwells@meonwood.co.uk





NEWTOWN CHURCH FETE – Saturday May 25th

How you can help make the day a big success!

Cakes!



Big cakes, little cakes, sponge cakes, fruit cakes, cupcakes, buns...what have I missed! We love it all! Please bake for the fete!



Debbie Thomas
07581 412833



Home Produce!

Jams, chutneys, pickles! Sausage rolls, flans and Quiches – all savouries, yum yum!

Vegetables and more! Check out your larders!

Barry & Miriam Rowswell
01329 834671

Tombola!



Bottles galore, please!

Spirits, wine, beer, soft drinks ... all welcome!

Champagne? Oh, yes please!



Sue Wells
01329 834130

Household & Gifts!



In a word, well in two! Unwanted Gifts! Time to clear out? Just call!



Sally Padgett
01329 834684



Clearing out??

The Nearly New Clothes Stall

will take good, clean clothes off your hangers!

Vicki Sherwill
01329 835161

Auction of promises



The more 'lots', the better - those that money 'just can't buy' much appreciated!



John Barfoot
07974 232296

Garden plants!

Always so popular – we all love our gardens!

Tony Hardy
01329 834753



Books!



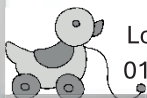
Fete goes browse!

Fiction, non-fiction books! Video games, DVD's, CD's!

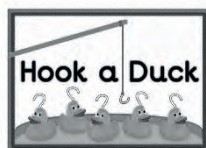
Ailsa Duckworth
07769 681555

Children's Toys and games!

Outgrown, unloved? Don't throw them away!



Louise Parker
01329 835692



Hook a Duck

...and the prize is a cuddly toy!

New and clean / good condition used cuddly toys, please!



Sarah Walton
01329 832320



White Elephant!

Not a real one!

We'd be delighted to take your bric-a-brac and other 'odds and ends' off your hands!

Hannah Barfoot
07891 390634



Items can be delivered to Meonwood, PO17 6JZ, any time the week before or, if you need help with collection, please contact the stallholder or a member of the fete team (details opposite).

Thank you for your continued support!

News from the Pews of St Peter's

The Big Grins - our new Priest in Charge and his first Assistant Priest

Great news!

Our new Priest in Charge the Reverend Andy Davis, who will be based in Swanmore but responsible for Soberton, Newtown, Hambledon and the Bridge Parishes as well as Swanmore itself, was licenced on 19th February. In a similar, but less formal service, his first assistant priest, the Reverend Liz Quinn was welcomed on 25th February. Andy's previous roles included being Rector of Bishops Waltham. Having been brought up in Shedfield he is very much a "local lad". Liz lives in Hambledon and is thus familiar with our current 3 churches. Both Andy and Liz relish the challenge offered by the new arrangements for our benefice.



Andy and Liz, pictured here grinning broadly, we bid you a warm welcome and we look forward to meeting you out and about among our two villages.

Millennium Tapestry

The Millenium Tapestry, which was designed and then hand stitched by locals in our two villages is back in St Peter's after spending a year or so in Holy Trinity, Newtown. It takes the viewer on a journey from Holy Trinity to St Peter's depicting some of our well-known landmarks and buildings.

Well worth a look if you are not familiar with this lovely piece of local art.

St George's Cross – Restored to the Church Tower

Many parishioners have noticed that since a windy Remembrance Sunday last year the flag has been missing on the church tower. Its halyard (the rope to which it is attached) became trapped at the truck (top sheave in the button) and, without risking life and limb, there were many unsuccessful attempts to free it. Fortunately Richard Bell Davies is an ingenious chap and he came to the rescue. The picture shows him helping Anthony to restore the flag to its rightful position.



Mothering Sunday – 10th March

A most joyful occasion with posies galore for our lovely Mums and the lighting of memorial candles for those who have died. The service was conducted by Father Charles Howard. Thanks to readers Katy Rogers, Hannah Mathews & Brownie Beatrice and all those who participated, decorated the church or supplied goodies for the celebration afterwards.

A Final Farewell

Many well-established locals will remember the work of The Reverend Peter Garratt and his wife Dorothy over the period 1987-2001. They left us for an appointment on the Isle of Wight but always yearned to return. Peter died some time ago and was buried in our churchyard. Dorothy died in February. Her funeral took place on 27th February and we said a final, sad farewell as she was buried with her husband. The villages owe both the Garratts much for their devotion to their parishioners.

Louise and Anthony

C.A.N.S (Climate Action for Newtown and Soberton) Spring News

Energy Group

Home energy efficiency: The colder months provided a good opportunity to trial the use of a **thermal imaging camera**. People found the camera easy to use and discovered some surprising areas of heat loss in the house. As a result, they are hoping to take some actions to improve these, such as resealing around the windows or better draught excluding around letterboxes and bottom of doors. We are now looking into running a camera loan scheme for residents later in the year.



Some of our group attended training to become **'Energy Champions'**, learning about all aspects of improving the energy efficiency of homes. Watch this space for ways that we might be able to help with your home.

Community energy

We have also been helping the **Soberton village hall committee** with improving the energy efficiency of the building. They will also carry out a survey with a thermal imaging camera with a view to improving the draught proofing and insulation.

Waste prevention group

We are working on a **'Recycling Directory'** to provide suggestions of where to take the 'difficult to recycle' items that are not currently included in the kerbside collections e.g. hard plastic trays, bottle tops and tetrapaks. If you have any recycling suggestions for these items, please let us know.

We are also trying to find ways to help **Newtown Church Fete** organisers with reducing and managing waste. One small way you could help is by **bringing your own reusable cup** to the event.

Some of our group are going to do a **litter pick** in several areas of the village. We are not organising a community litter pick event at this point as legitimate concerns have been raised about safety when litter-picking in our village due to the speed of vehicles on our roads. If you notice areas that are particularly bad for litter, let us know and we will try to target some of those areas.



Biodiversity group

In collaboration with SoberNewts and PiNS wildflower group, we have carried out a survey of the bank in High Street to see what's currently growing there. Over 40 different species of wildflowers were noted and, as the season progresses, we are hoping to see even more. We're increasing the biodiversity by planting out some plug plants leftover from the verge planting carried out last year. The wildflower group have also planted snowdrops on roadside verges around the village.



A few of the wildflowers are already in flower on the bank, including primroses and wood anemones.



Barry, Sonia, and Jill identifying the different species on the High Street bank.

Contact us: Email: info.CaNewtownSoberton@gmail.com

Facebook: www.facebook.com/ClimateActionNewtownSoberton

Get to know your SoberNewts



Have you ever met a SoberNewt? They are members of the Soberton and Newtown Conservation Group, and can often be found (or heard) cutting vegetation on Soberton Down on Tuesday mornings in the winter months

Or clearing the Village Pond on Soberton Heath of invasive water lily or parrot feather weed once or twice a year to enable its incredibly diverse population of invertebrates to thrive.

They also invite families to join them exploring the amazing natural world which surrounds us - through pond-dipping events, moth trapping, nature trails and insect safaris at weekends and during the school holidays.

The SoberNewts have been around in the village for some 25 years, but they don't make a lot of fuss, rarely have formal meetings, don't ask for lots of cash and just get on quietly with giving nature a helping hand where we can.

We are still using equipment bought with some cash grants when we were set up around 2000 and we largely fund our activities from our own pockets, plus an annual grant from Soberton Parish Council to cover our Public Liability Insurance.

We have now got to the point where we need to renew some of our equipment and would like to apply for grant funding from outside organisations. This means we have had to create a more formal structure and a committee to manage our activities.

We are now in the process of updating our list of members and supporters so some of you may get emails asking you to complete a Membership Application form. Please fill it out and return it if you get one. If you would like a form but haven't received one yet, please email Maxine Hennessy - mmh1968@icloud.com

Becoming a member costs nothing and does not commit you to working physically on any of our projects, but it will give an indication to potential funders of the level of support which exists for the group in the community.

VISIT OUR FACEBOOK PAGE

www.facebook.com/sobernewts

for stunning photos of the flora and fauna on Soberton Down and all the latest news about our programme for spring, summer and autumn 2024.



Image by blueleia on Freepik

Children's Week 2024

29th July – 2nd August 2024

Registration opens on 1st April!

When: 10am until 4pm each day, plus a celebration evening on Friday 2nd

Where: The Guide Hut, Soberton Village Recreation Ground, SO32 3QH

How do I apply: To apply for either your child, teen or as an adult volunteer, please complete our online registration form at <https://forms.gle/nMLcDUXi1iWD5HpV9> or via the QR code



Both go live on 1st April!

A link will also be put on the Parish Website www.soberton.org and on Soberton Echo. If you have any queries, please email: sncweek@gmail.com

How much does it cost: Children's places are £50 for the whole week, Teens are £15, no charge for adult helpers. Please email us, in confidence, if you have concerns re. affordability.

How are places allocated: Priority is given to children who can attend for all five days, including the Friday evening presentation, and whose parents/guardians are willing to offer a helping hand either before or during the week. We also consider connection to the parishes, prioritising applications from those who reside within the parish boundaries, but also considering those with a connection by way of attending Newtown and Soberton Infant school, Newtown and Soberton Brownies/Guides, ROCS, or who have grandparents resident within the parishes. If any places remain, applicants with no connection will also be considered.

Applications will close on 31st May

The number of child places depends on the number of teens/adults who volunteer to help, and sometimes we get more applications than there are places available. We will let all applicants for child places know if they have a place by 21st June when payment will become due.

So ... what is Children's Week?!

Children's Week has been a well-loved part of the summer holidays in the parishes for 51 years, and after a fantastic 50th Birthday celebration in 2023, we can't wait to get back together this summer!

It's an action packed, fun filled week of activities for children currently in school years 1-7, divided into age-appropriate groups. The groups are run by a minimum of 2 adult helpers ably supported by 2 teenagers aka teens (13-17 years old)! A great mix of experience and energy!

Organised by an enthusiastic group of volunteers bringing the community together to make friends and enjoy a fun filled week of many and varied activities including games, crafts, picnics, trails, campfire cooking in the woods ... and lots more! And not a PlayStation or iPad in sight!

More helpers always needed ... teens and adults to lead the groups, plus other adults to help backstage with craft, refreshments, cleaning, furniture shuffling ... the list is endless! Please consider joining us - you will be made very welcome and it is so very rewarding!

And don't worry, there is a briefing evening for adult helpers and teens before the main event so that you know what's going on and what you will be doing. Please contact us at sncweek@gmail.com to find out more.

Get your valuables valued ... and fund raise for Rookesbury Hall!

Valuation day and chance to sell antique items at Rookesbury Hall on Saturday 27th April 2024 from 10am to 2pm. Karen Dalmeny, from Dickinson's Real Deal, will be conducting private valuations with the option to sell if of interest. Five items max per person, £5.00 fee per person, cash only on the day. Tea, coffee and biscuits are free. We will be running appointments on a deli counter ticket type, scenario. First come, first served.

One of ITV's Most
Popular Antique
Experts...

Happy to arrange home calls
by appointment
karendalmeny@gmail.com

**BEST CASH
PRICES PAID FOR:**

**Gold & Silver Jewellery
& Antiques**

Including: Watches, Medal, Bronzes,
Oriental Ceramics, Quality Antiques,
House Clearance/Insurance Valuations



For
enquiries
please call:
**07712 545
700**



Soberton & Newtown Ladies' Group

We had a wonderful time in March hearing about the business of chocolate making, tasting different types of chocolate and finally eating the chocolates used in the demonstration!

The venue for the meeting on 3rd April is The Church Room, St Peter's Church, Soberton at 8pm. Ladies Group member Ann Hughes will tell us about creating her Wild Flower Meadow.

On Wednesday 1st May, in Rookesbury Hall, Newtown, Lyn Robertshaw is talking to us about The Samaritans.

New members are always welcome. Further details from
Liz Whales (Secretary) 01489 877712 lizwhales@aol.com

SOBERTON CHURCH FLOWER GROUP

Do you love arranging a vase of flowers at home?

Would you like to take your skills to another level?

Have you never tried arranging flowers, but would like to give it a go?

Please come and join the Soberton Church Flower Group!

We decorate the Church for all occasions, from the smallest welcome vase to Festivals and Weddings!

All levels of ability and enthusiasm welcome!

We're a group of like-minded people with different styles, talents and levels of experience however we all enjoy the freedom to arrange flowers in our amazing church, supporting each other and sharing different ideas.

We're on a recruitment campaign and would love to find and encourage anyone interested in joining us in decorating the church for festivals such as Easter and Christmas or assisting with weddings or 'just the regular flowers!

No experience is necessary, just the desire to be creative with flowers. We can help and encourage any level of talent. The more different creative styles the better!

We're looking forward to meeting other like-minded flower lovers!

If you are interested in joining us, please get in touch with either

Sandra: sandra.glen@yahoo.co.uk or

Pauline: pauline.walters11@btinternet.com

Speak soon!

SOBERTON VILLAGE HALL

CHAIRMAN'S REPORT – April 2024

This report has been produced to update our hirers and villagers on how the Village Hall has fared in the previous year.

As we reported last year the committee felt it was important to re-establish bookings after the pandemic rather than hit them with increased costs due to the spiralling energy costs. We're please to say the hirers have, in the main, returned but it has resulted in a loss for the financial year but with energy costs reducing we now expect the Hall to return to a healthy position. Our Treasurer, Bob, regularly reviews our running costs.

Our purpose is to provide an asset for village life and we feel that has continued.

We have regular hirers providing opportunities to the village including - Bridge, Children's dance, Pilates for recovering patients, Soberton Players twice yearly productions, Table Tennis, Pilates exercise, Folk Association of South Hants and newly introduced Adult dance exercise classes.

On top of this we provide excellent facilities for Village weddings, Wakes and Parties for all ages. This last year alone included around twelve parties.

We have recently installed a large projector screen which we hope will be a useful facility, be it for Players, commercial presentations, weddings, Parish Council meetings and of course many of the village Societies.

Looking to run the Hall as greenly and economically as possible, we are working with Suzanne White, the local Green Party candidate, in reviewing our heat loss plus options for Solar panels, batteries and heat pumps, and including looking at any grants that may be available.

We continue to operate as a CIO (Charitable Incorporated Organisation) with a set of trustees. A reminder that the Village Hall trustees are all unpaid and I thank them all for helping to run the Hall in such a professional manner – Sue, Bob, Katie, Rachael, Jane, David, Chris and Ben.

Thanks to all those who use the Hall and we're always open to new hirers. If you have any thoughts on how facilities could be improved to the benefit of the village please talk to any of the committee.

Pete Woodacre - SVH
Chairman



SAVE THE DATE
**SOBERTON
FETE**

29TH JUNE 2024
TELL YOUR FRIENDS !!

If you are interested in helping or wish to discuss further, then please get in touch
by emailing sobertonfete@gmail.com
or give Wendy Prangnell a call on 01489 877316

Soberton & Newtown Local History Society

UPCOMING TALKS

Thursday 11th April – The History of Bishops Waltham by Tony Kippenberg

Tony is an authoritative and entertaining speaker and there are sure to be a few surprises – no matter how well you think you know our local town!

Thursday 9th May – The River Hamble, Source to the Sea by Don Bryan

Don is a Society favourite, his talks are always interesting and informative. Don will be following the River and taking us to the places on its journey to the sea.

Meetings at Rookesbury Hall, Church Road, Newtown 7.30pm

History Society membership £12 per year

Visitors welcome £2 per meeting



Soberton club players star in 3 Leagues

We reported last year that we were in runners up spot in South East Hants Summer League 2023 Div 1 but amazingly in the last week the top team from Generation Fareham dropped one game in a 4-1 match win. Our team won 5-0 and we tied with them for the title on same points and for and against. What were the odds for that ! Stars were David Woodacre, Robin Plunkett and Richard Billings on 100%, 86% and 86% respectively. In **Div 3** Sob C finished very well in runners up. Roy Munday 75% and John McMonagle 72%.



As we conclude the winter league the 'A' team in the Portsmouth League Div 1 finished in runners-up spot beating 4th placed team Cowplain Cocktails 7-3 in the final match. Star performers were David Woodacre 88%, Dave Kelsey 72% and Richard Billings 56%.with a season average of 85% closely followed by Richard Billings on 67%. David also won the Division 1 player of the match award with 11 match wins one more than last year.

The Soberton & Newtown 'B' team in **Portsmouth Div 3** finished 3rdas they did last year. Star performers were Chris Langdale on 70% which is amazing after recovering from surgery. James Coltman 56% and Adrian Hunt 51% did very well. In **Portsmouth Div 4** the Soberton & Newtown 'C' team came 6th John McMonagle with a stunning 86% and Roy Munday's 65% led the way in the team averages.

In the Gosport & Fareham League the A team retained their league title with an unbeaten season with regulars leading averages Dave Kelsey 81%, Graham Pointer 78% , Bill Moody 73%, Robin Plunkett 58%. Aply assisted in key games by David Woodacre , Pete Woodacre and Richard Billings.

In the **Portsmouth Cup handicap competitions** we are amazingly through to the semi-finals. The A Team and B Team are in the **Constad Cup** semi finals luckily not playing each other so could theoritically meet in the final.

In the **Stannard Shield** (over 40's) the A team were beaten by PTTC Black but the B team extracted revenge by knocking them out 5-4 in a stunning result. The B team are through to the semi-finals.

We'll update you on the final cup results in a future magazine.

STOP PRESS Dave Woodacre wins Portsmouth Closed Tournament Open Singles Title on 17th March.

The Soberton & Newtown Table Tennis Club that plays at Soberton Village Hall will close for the Summer and re-open in September. If you would like further information, please get in touch with either:

Pete Woodacre (petewoodacre@gmail.com ; 01489 877768) or Adrian Hunt (adrianhunt8@gmail.com ; 01489 878141)



Please come with your friends to our
MACMILLAN Coffee Morning
to be held at **Rookesbury Village Hall** on
Friday 10th MAY 2024

From 10.30 to 12.30

Coffee, tea, savouries, biscuits and cakes.

Cakes for sale.

Please support this fantastic charity!

A Ladies Lunch Group Initiative



Amazon Wishlist

We have been completely blown away by parents response to our new Amazon Wishlist project. The idea behind this, masterminded brilliantly by our Finance Officer, Mrs Sam Paine, is to help the school financially but in a targeted way.

As we know FODS organise large FUNdraising events for the children whereby the money raised goes back in to many enrichment opportunities for the children; music tuition for all; author visits; new computers; theatre company visits and books for the library to mention but a few. However, we still spend a lot of money on smaller resources in our wider curriculum.

By setting up this wish list, Mrs Paine has now given all the chance to help in so many ways. As you can see we have been inundated! The list is almost empty (we weren't sure how successful it would be) so we are adding more as the list is constantly 'live'. Parents have really made a difference. For instance Miss Barnett has all the Science equipment she asked for. 'It's just like Christmas!' she said. Please follow the link below to help wherever you can as anyone can support the school.

<https://amzn.eu/09G0kab>



Last week Droxford Junior School had an Ofsted inspection. The first in 12 years and as Headteacher for 10 years at Droxford now, one I've been waiting for for a long while (even though I was here for the previous two). Being an Ofsted rated 'Outstanding' school we were exempt from inspection for many years.

After the tragic death of the Headteacher Ruth Perry and subsequent enquiry, much has been discussed about the wellbeing of leaders and the conduct of inspectors and Ofsted in general.

I would say that last week was particularly gruelling and we felt we were really under the microscope with the inspection conducted in an extremely forensic way. Both Inspectors were Secondary school based which added an extra layer of challenge as we really fought for our school to be 'seen' as the great school it is.

The children were incredible as always and staff worked tirelessly and expertly with great knowledge and experience as they always do.

When the report is released in April, we can share more detail.

Matthew Dampier

Headteacher

**SOBERTON & NEWTOWN
GUIDE HUT COMMITTEE
ARE HOSTING A
VILLAGE TRAIL
FOR ALL THE
FAMILY**

**Sunday 14th July
finishing with tea & cake at
the Guide Hut**

**MORE DETAILS IN THE
NEXT PARISH MAG, SO
SAVE THE DATE!**

STUDIO 6 DESIGN & PRINT

Business Cards & Letterheads • Leaflets & Flyers
Wedding Stationery • Funeral Orders of Service
Banners & Signage • Booklets & Brochures
Personal Stationery • Labels, Rubber Stamps & much more!

www.studio-6.co.uk

We have new premises!

PLEASE CONTACT US VIA PHONE OR E-MAIL

01329 832933 • print@studio-6.co.uk

CARPET & UPHOLSTERY CLEANING HIGH QUALITY & AFFORDABLE

- Independent Family Run & Owned Business - Est 2003
- Carpets, Leather, Rug & Curtain Cleaning
- Approved by Trading Standards
- Honest & Competitive Pricing
- Rapid Drying Times
- Discounts for Whole Houses

'We have used Elliott Carpet Care for many years and have never ever been disappointed. Carpets and sofas come up like new. The attention to detail and care taken is extraordinary.'

Call us today on:

M: 07436 266078

www.elliottcarpetcare.co.uk

EXPERT TAX ADVICE WITH A HUMAN FACE FOR THE MEON VALLEY

WATCHING OUT FOR THE NEXT GENERATION

Is IHT a factor in making my Will? Is a Family Trust a good idea?

PROPERTY OR WORK OVERSEAS

How does it affect my tax if I live, work or have property abroad?

FOR ENTREPRENEURS

Am I the only one wondering whether it's worth all the aggro?

PERSONAL TAX

What is the best way to order my tax affairs, in full compliance with the law?

SELLING MY BUSINESS

How much tax will I pay? What is my business worth?

Nicholas Ridge
TAX EXPERTISE

Oakleaf, Ludwells Lane, Waltham Chase, Southampton, SO32 2NP

t: 01489 899102 e: nicholas@nicholasridgecta.co.uk

www.nicholasridgecta.co.uk



All aspects of Carpentry & Building work undertaken

- Extensions • Alterations • Refurbishments
- New Builds • Landscaping

Tel: 02392 632037 Mob: 07885 283036

jay.tucker16@yahoo.co.uk

Fully qualified and insured



The Perfect Space for Meetings or Committees

HOST YOUR NEXT MEETING OR
PRESENTATION IN A DISCREET AND
PRIVATE AREA.

RURAL LOCATION NEAR HAMBLEDON.

- Seating area for 6 to 8 people.
- Parking up to 4 cars.
- Ultra Fast Internet.
- Coffee, tea, cold drinks facility.
- WC.

ENQUIRIES:

Contact Ben **07973668539**
By text or WhatsApp

Discount offered for repeat or regular bookings

FOR ALL YOUR DRY CLEANING AND LAUNDRY NEEDS

Duvets Laundered
Curtain Cleaning & Alterations
Tailor Repairs & Alterations
Wedding Dresses Cleaned & Boxed
Specialist Rug Cleaning Service



Laundry Service
Carpet Cleaning Machine Hire
Waxed Garments Cleaned & Re-Waxed
Pillows Cleaned & Recovered
Suede & Leather Cleaning

4 Merlin Mews, Bishop's Waltham. Tel: 01489 894421 • Agent: Meonstoke Post Office

www.bryantscleaners.co.uk

MARK & JUNE MASON

Husband and wife high quality painters and decorators. Period to modern properties, one room to a whole building. We work around your requirements.

www.masonspaint.co.uk

Phone 01329 235847

Mobile 07973 162397

52 The Causeway, Fareham PO16 8RW

Ray Chandler STATION GARAGE FAREHAM LTD

SERVICING, MECHANICAL & BODY REPAIRS,
WELDING, M.O.T. TESTING,
BREAKDOWN SERVICE

Tel: **01329 238451**

www.stationgaragefareham.co.uk

Unit 1, The Avenue, Fareham, Hants PO14 1NP



All Types of Carpentry, Joinery & Building Work Undertaken
Kitchens, Bathrooms, Windows & Doors (wood & U.P.V.C.)
Renovations & Repairs, Wardrobes & Cupboards,
Bespoke Joinery, Furniture Restoration, Painting & Decorating.

Professionally Qualified & Insured
30+ Years of Local Experience

M: 07875 557961 T: 01489 895890

E: leeacooper@talktalk.net

W: www.leecoopercarpentry.co.uk

Sweeps of all types of appliances carried out
Stove maintenance and repairs carried out
Bird guards / Caps supplied and fitted
CCTV inspections carried out
Fully insured
Certificates issued

Neil Jarrett 0751 0304 888

neil@sunrisechimneysweeps.co.uk
www.sunrisechimneysweeps.co.uk



WELLER PATRICK

SOBERTON AND MEON VALLEY PROPERTY EXPERTS

Experienced local team with
detailed knowledge of the area.

01489 893555

www.wellerpatrick.com

info@wellerpatrick.co.uk



THE WHITE LION

BED & BREAKFAST

BEER GARDEN,
FUNCTIONS, HOME
COOKING AND
LOCAL BEERS

TELEPHONE: 01489 877346

INFO@THEWHITELIONSOBERTON.CO.UK
WWW.THEWHITELIONSOBERTON.COM



Pressing Needs



The Fabric Care Specialists

FREE

Collection & Delivery

Tuesday & Friday

25% off Duvet Cleaning

with Promo Code: S&N25

www.pressingneeds.co.uk

verity@pressingneeds.co.uk

- Laundry
- Dry Cleaning
- Ironing
- Shirt Service
- Bedding Laundry
- Duvet Laundry
- Curtain Cleaning

Duncan Rd, Park Gate, Southampton, SO31 1BD

01489 582095

MEON VALLEY Mowers

SERVICE AND REPAIRS

Specialist in professional & domestic mower & garden machinery

- Service & repairs
- Collection & delivery
- Competitive rates
- Rotary blades, cylinders & hedge cutter sharpening
- Visit our workshop



07783 937212 or 01489 878085

info@meonvalleymowers.co.uk



HAMBLEDON CARS

PRIVATE TAXI SERVICE

Superior Air Conditioned Cars
8 Seater Minibus
Airports, Stations & Cruise Transfers
Theatre, Shopping, Business
& Local Travel

Steve & Tracey Eames

M: 07766 027 301

W: 02392 632 375

hambledon-cars@hotmail.co.uk
www.hambledoncars.co.uk

West Street Hambledon Hampshire

Mushroom Catering

Bringing Masterchef to the Meon Valley

Masterchef contestant Gill Holland provides bespoke menus that give your special occasion the wow factor! Traditional British fare, a Thai feast or a Mediterranean mezze, canapés at a drinks party to full wedding packages.

Whatever your event give Gill a call on the contact details below:

www.mushroom-club.co.uk

**West Down Cottage, Chalk Hill,
Soberton, SO32 3PH**

07879 696495, 01489 876741

MJM

Plumbing & Heating

36 years experience in the plumbing & heating industry

- Natural gas, L.P.G and oil boilers installed
- Oil tanks installed & maintained
- Power flushing
- Full bathroom installations including wall & floor tiling
- Unvented hot water systems installed, serviced and maintained
- Grant Oil Boiler Approved Installer

NO
CALL OUT
CHARGE

**NOW OFFERING 0% finance on all
Vaillant boilers and products!** Call for details

Tel: **01329 507712** Mob: **07773 385946**
info@mjmplumbing.co.uk www.mjmplumbing.co.uk

Based in Wickham



TJ

CHIMNEY SWEEPS

TEL: 02392 002872

MOB: 07950 145494

COMPETENT, CLEAN & RELIABLE

WWW.TJCHIMNEYSWEEPS.CO.UK

FULLY INSURED & REGISTERED WITH THE INSTITUTE OF
CHIMNEY SWEEPS.

SEE US ON CHECKATRADE.COM

Robert Crook Garden Maintenance

All general gardening work undertaken

Tel: 02392 258686

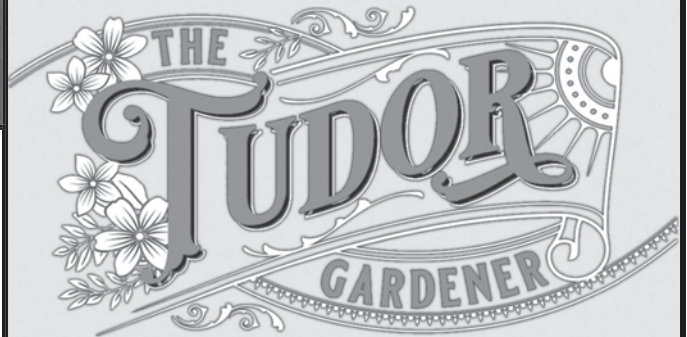
Mobile: 07929 092299

All seasons general garden maintenance

Mob: 07763 494006 Tel: 01489 878 598

tudorgardener@gmail.com

@Tudorgardener



Specialising in:

- Hedge cutting & shrub shaping
- Garden design
- Fruit tree and rose pruning

RHS TRAINED

SYCAMORE TREE SURGEONS

All aspects of tree work

**Pruning Surgery Felling Hedgecutting
Tree Stump Removal and Site Clearance
Approved contractors for local authorities**

FULLY INSURED

023 9223 0146

Mob: 07889 704449 David Farrington

30 YEARS EXPERIENCE



J. Gordon

Forestry & Arboriculture Ltd

- Crown Reduction/Re-shaping • Thinning/Dead Wooding • Skilled Tree Removal • Hedges
- Plantation Maintenance • Tree Planting • Fencing • Woodland Management • Stump Grinding

Professional Qualifications • Insured in all aspects of forestry and tree surgery

For a personal and caring service contact Joe Gordon

24 HOUR EMERGENCY CALL-OUT • FREE QUOTATIONS

Hambledon 023 9263 2418 Mobile 07712 808 081 www.treedocjoe.co.uk



Taylor's Garage
Droxford
Hampshire SO32 3QL



Tel: 01489 877433

CAR and MOTORCYCLE MOTs

Service and repair to cars
light commercials and horse trailers

Air conditioning - service & repair

Competitive prices on
tyres batteries and exhausts

Collection & delivery or loan car available
subject to availability

BUY WITH CONFIDENCE
Trading Standards Approved Trader

Sweeps of all types of appliances carried out
Stove maintenance and repairs carried out
Bird guards / Caps supplied and fitted
CCTV inspections carried out
Fully insured
Certificates issued

Neil Jarrett 0751 0304 888
info@sunrisechimneysweeps.co.uk
www.sunrisechimneysweeps.co.uk



CORE STRENGTH
FLEXIBILITY
FLAT STOMACH
JOINT MOBILITY
REDUCED STRESS
TONING
IMPROVED POSTURE

PILATES

PILATES

CARRIE MANDLEY RGN
PILATES INSTRUCTOR
PHONE 07854 413352



SOLENT
DESIGN

- Design
- Artwork
- Stationery
- Leaflets
- Flyers
- Brochures
- Booklets
- Newsletters
- Labels
- Postcards
- Folders
- Posters
- Banners
- Vinyl
- Exhibition Displays



Tel: 01489 892344 • Email: sales@solentdesignstudio.com
www.solentdesignstudio.com

Andrew Smyth

HANDYMAN & DECORATING SERVICES

BASED IN
Newtown

*General Home Maintenance
Painting & Decorating
Carpentry & Fencing
Bespoke Wooden Goods
Plumbing & Electrical
Domestic & Commercial
AND MUCH MORE!*

Feel free to contact me!
07909253681
andrew.j.smyth65@gmail.com

 andrew_the_handyman  AndrewSmythHandyman

Wickham Fisheries

**Your local Take Away
A wide variety of food**

**Gluten-free chips available everyday
Gluten free menu for other products
available every day (call and place your
order half an hour before collection)**

**Find all opening information and our menu
on Facebook – Wickham Fisheries**

**The Square
Wickham
PO17 5JQ
Tel 01329 832394**



**Local & Award Winning
Luxury Self-Catering**

- Ideal for family gatherings, celebrate here!
- Indoor heated pool and jacuzzi with hoist, sauna & steam room
- Hot tubs, en-suite bedrooms, wood burners
- Dog friendly, enclosed gardens, accessible
- Country views, EV charging points, free WiFi

WALLOPS WOOD COTTAGES
wallopswoodcottages.co.uk

GRENVILLE AT WALLOPS WOOD
grenvilleatwallopswood.co.uk

01489 878888

unwind@wallopswoodcottages.co.uk

Book with confidence and unwind with us

**RICHARD
STEEL
& PARTNERS**

**THE FAMILY OWNED
FUNERAL DIRECTORS**



www.steelsfuneral.co.uk

BISHOP'S WALTHAM
The Gate House, Victoria Road,
Bishop's Waltham, SO32 1DJ
01489 892640

WINCHESTER
Alderman House, 12-14 City Road,
Winchester, SO23 8SD
01962 862333

Available 24 Hours

B.G. Property Maintenance

EST 1974

Internal and External Painting &
Decorating

Roof Repairs – Gutter Maintenance

Pointing – Brickwork & Plastering
Repairs

Glazing – Tiling – Paving – Carpentry

CLINT: 07836 620844

BOB: 07971 551513

Email: rgoble717@btinternet.com

FULLY INSURED
FREE QUOTES

BOWMAN

ALES LTD.

TRY OUR AWARD WINNING ALES



Our beers are
available in
bottles,
bags-in-boxes or
casks, all direct
from the brewery

01489 878 110

info@bowman-ales.com www.bowman-ales.com



Household and Business storage

02392 384 888

BARN-STORE.CO.UK

Offwell Farm, Southwick, Fareham, PO17 6DX

Hurricane Farm



Our Services:

- Mobile educational farm
- Incubator hire
- Breeders of pedigree Tamworth and Gloucestershire old spots
- Breeder of rare breed poultry and garden hens
- Supplier of quality pork

01489 878218 - 07876244146

LOCAL FARRIER

(Soberton Based)

David Povey Dip WCF

For:

Hot & Cold Shoeing
Remedial Shoeing

Established 1985

01489 878218



Part P Full Scope
Electrician

Derek Pilcher JIB Approved

*Domestic • Commercial • Industrial
Agricultural • Rewires • Extra Sockets • Lights
Showers • Cookers • Fuseboards
Security Lights etc*

**Testing and Certification
Emergency Call-Out available**

Tel: 02380 602 627 Mob: 07766 418 039
Email: derekpilcher36@yahoo.co.uk

CHAMBERLAINS

Family Solicitors

We can help you with a wide range of legal services including Residential Conveyancing, Commercial Property, Probate, Wills and Lasting Powers of Attorney

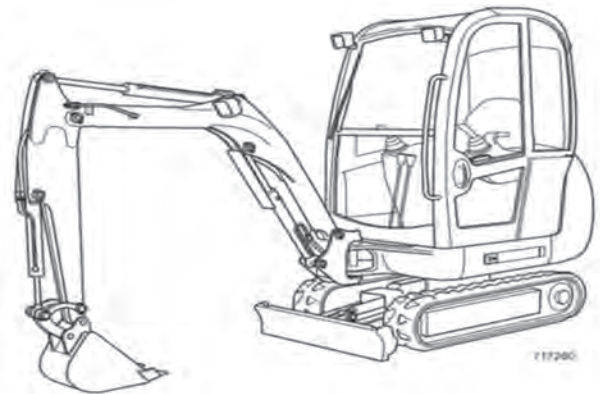
RED LION STREET (OFF HIGH STREET), BISHOPS WALTHAM

TEL: 01489 896141
info@chamberlainslaw.co.uk

KS Groundworks

Local General Builders & Ground Maintenance, Hardscaping, Drives, Slabs, etc.

Over 30 years experience.



Tel: 07801 141517 Email: kym.slater@gmail.com



South Downs Funeral Service Funeral Directors & Memorial Consultants



Your Local, Independent & Family Owned Funeral Homes of Denmead, Wickham & Clanfield

Our Clanfield Funeral Home
43 Drift Road, Clanfield PO8 0JS
Tel: 02392 570239
clanfield@southdownsfuneralservice.com

Our Denmead Funeral Home
The Old Post Office House, Hambledon Road,
Denmead PO7 6NN | Tel: 02392 231567
care@southdownsfuneralservice.com

Our Wickham Funeral Home
13 The Square, Wickham,
Fareham, PO17 5JG | Tel: 01329 833920
wickham@southdownsfuneralservice.com

Direct Funeral Services from £995.00
Traditional & Tailored Funeral Services from £1725.00

www.southdownsfuneralservice.com

Golden Charter
Smart Planning for Later Life

Golden Charter Funeral Plans
24 hour, local and personal service
Floristry service | Stonemasonry service
No deposits required
Fully accredited and regulated members of SAIF





PIMP MY Paddock

Paddock Maintenance

We offer a complete & professional paddock maintenance service

Located near Bishops Waltham, covering all surrounding areas.

Paddock, field & garden work is carried out using a quad bike, ensuring easy access to small & large areas with no heavy tyre marks.

- Paddock Maintenance
- Topping
- Fertilising
- Spraying
- Springtyning
- Harrowing
- Hedge Cutting
- Fencing & Gate Repairs
- Log Splitting & Chipping
- Full Public Liability Insurance

Phil Stratten 07799 118 022

mail@pimpmypaddock.com

www.pimpmypaddock.com



APARTMENTS

FOR HIRE



Luxury One bedroom

We are offering this luxury apartments in Gosport. Fully furnished and equipped. High speed Internet.

ALL BILLS ARE INCLUDED

NO DEPOSIT, NO FIXED CONTRACT, NO MINIMUM OR MAXIMUM STAY.

IDEAL FOR:

Accommodation for business contracts.
Insurance placement.
Long term guests.
While house works are on going on.
Change of personal circumstances.
In between house moves.



For more information of pricing

CONTACT: Ben 07973668539

StorAway

Your local choice for storage



Secure Storage for Classic Cars, Archived Documents and Personal Property. Long or short term storage options available.

**For ALL your storage needs
Contact StorAway on 01489 877988
or www.storaway.co.uk**

G. RIXON LTD.

ELECTRICAL PLUMBING AND HEATING ENGINEERS

National Inspection Council for
Electrical Installation Contracting



APPROVED CONTRACTOR



01329 834600

enquiries@g-rixon-ltd.co.uk

www.g-rixon-ltd.co.uk

We carry out small jobs such as attending to faulty light fittings and dripping taps, to larger jobs such as complete rewires and replacement bathrooms. We are disabled adaptation specialists and install level access showers and accessible kitchens.

G. RIXON LTD. Wymondley Heath Road Soberton Hampshire SO32 3PQ

R & G GAMBLIN

Extension Alteration Renovation

Planning work

Bricklaying.
Civil Engineering.
UPVC Windows & Doors.
Plastic Fascia & Soffit.
Concrete.
Loft Conversion.
Roofing Pitch & Flat.
Painting.
Conservatories.

Digger Hire.
Drainage.
Fencing.
Plastering.
Driveways.
Plumbing.
Garages.
Carpentry.
Electrics.

For Free Estimates please phone
Rob 01489 - 891801



SAFER CHIMNEYS

Member of National Association of Chimney Sweeps
NACS Certificates Issued.

“Highly Recommended” Local Chimney Sweep

Power Sweeping, Traditional Brushes,
Chimney Camera Surveys
Stoves, Open fires, Range Cookers

Less waiting time – 2 qualified sweeps

023 9247 6458 or 07733 343530

or 07847 466281

david@saferchimneys.co.uk

Proud members of
Checkatrade.com
Where reputation matters

www.saferchimneys.co.uk

TREE SERVICES

RESIDENTIAL & COMMERCIAL
HAMPSHIRE & SURROUNDING AREA

FOR MORE INFORMATION
www.wgstreeservices.co.uk

info@wgstreeservices.co.uk
or
CALL 07810 044 420



BULK BAGS

HARDWOOD | SOFTWOOD | KINDLING
FREE LOCAL DELIVERY

CALL 07810 044420
or

ORDER SECURELY ONLINE
www.wgskindling.co.uk

FOLLOW US



ICAEW
CHARTERED
ACCOUNTANTS

Chartered Accountants
& Registered Auditors

LOCAL INDEPENDENT ACCOUNTANTS AND
TAXATION ADVISORS

FREE INITIAL CONSULTATION

Full range of accountancy, auditing and taxation services

Business start up advice

Book-keeping and Payroll Services

Self-Assessment Returns

Detailed Fixed Cost Quotes

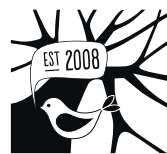
Visits to your Premises

Avalon House, Waltham Business Park,
Brickyard Road, Swanmore, Southampton,
SO32 2SA

Tel: 01489 896996 Fax: 01489 895255

Email: enquiries@butlerco-bw.co.uk

Website: www.butlerco-bw.co.uk



BIRCH TREE
YOGA

A Beautiful Yoga Studio in Wickham

A real hidden gem in Hundred acres.
Providing a range of yoga classes for all abilities
in a beautiful and tranquil environment.

Ample free parking.

Visit birchtreeyoga.co.uk or call Karen on 01329 834511



Tudor

PEST CONTROL

Mandy Haggart BSc.
07307 167 244

info@tudorpestcontrol.co.uk
www.tudorpestcontrol.co.uk



Contact Us Now!
Tel: 01489 896 903

Easy Clean Services

CESSPIT / SEPTIC TANK EMPTYING

TANK EMPTYING

- Cesspits
- Septic Tanks
- Interceptors
- Grease Traps
- Treatment plants
- Pump Stations



SERVICING

- All Treatment Plants
- Pump Sets
- Pumping Stations
- Water Pumps

PUMP and PARTS

- Air Blowers - All Makes
- Submersible pumps
- Spares and accessories
- Shop online or collect

DRAINAGE SERVICES

- Root Cutting
- CCTV Surveys
- Blocked Drains (Jetting/Rodding)

info@easycleanservices.co.uk
www.easycleanservices.co.uk



SALES & REPAIRS

Wheely Down Garages
Warnford, Nr. Southampton
Hampshire SO32 3LG

Telephone/Fax: 01730 829207

www.dj-scott.com

We're the **Which?**
Insurance Brand of the Year
for the second year running

Whether it's for your car, home, farm or business, for quality insurance you can rely on, join us today.

Contact NFU Mutual Winchester, Alton and Wickham on **01962 881 888**



The National Farmers Union Mutual Insurance Society Limited (No. 111982).



GEMMA WILLIAMS
PRIVATE TRAVEL



Gemma Williams Private Travel offers a truly personalised service creating unforgettable tailor-made trips around the globe. With over 15 years' experience within the travel industry at some of the UK's leading tour operators. I'll make your travel planning and trip hassle free with a personalised and professional service.

Beach Holidays, Safaris, Adventure, Family Holidays, Cruises, Private Villas, Honeymoons, City Breaks, UK Staycations and much more.

As a Soberton resident I am happy to meet you in your home, at a time convenient to you.

**GEMMA WILLIAMS
PRIVATE TRAVEL**

WhatsApp / Tel: 07968 634556

www.gwprivatetravel.com

Gemma@360privatetravel.com

All Holidays are ATOL Protected



NEW ADULT JAZZERCISE

Every Tuesday morning from

9am - 10am

SOBERTON VILLAGE HALL

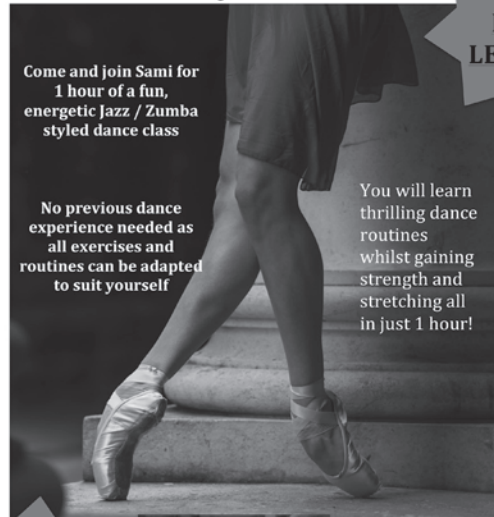
Commencing March 5th 2024

**£8
PER
LESSON**

Come and join Sami for
1 hour of a fun,
energetic Jazz / Zumba
styled dance class

No previous dance
experience needed as
all exercises and
routines can be adapted
to suit yourself

You will learn
thrilling dance
routines
whilst gaining
strength and
stretching all
in just 1 hour!



EMAIL
Sammyclay22@gmail.com
**TO BOOK
YOUR PLACE NOW**



About the principal Sami

Sami is a qualified Ballet Teacher who was previously a professional dancer in a Ballet Company in Toulouse. Prior to joining, she attended 'Elmhurst Ballet School in association with Birmingham Royal Ballet' for 8 years in Birmingham. Sami is a very experienced, passionate teacher who currently teaches at 4 different dance schools teaching Ballet, Jazz Modern, Contemporary and Pointe Work.

DROXFORD ANTIQUES

The Old Bakery, High Street, Droxford SO32 3PA
01489 878800 mark@droxfordantiques.co.uk

Established for over 40 years.

Still buying and selling antiques of all descriptions, valuations and probate service.

We repair, restore and polish in our own workshops.

CURTAIN MAKING & ALTERATIONS

Stockists of Kate Forman, Vanessa Arbuthnott, Ada & Ina

We offer a full service from measuring to making beautiful hand sewn curtains, blinds and pelmets especially for you.

Please telephone Mark or Mary for free, professional and confidential help and advice.



THE JOINERS SHOP

Period Joinery of Every Description

Conservation Approved
Double Glazed
Box Sash Windows

(Genuine) Handmade Kitchens

Tel: 02392 814780
enquiries@thejoinershop.co.uk
www.thejoinershop.co.uk



Associate Member of the Hampshire
Buildings Preservation Trust Ltd

Associated Trades



DOMESTIC
INSTALLER



LANDMARK
DESIGN

Meon Valley Studio
Design, Planning, Architecture
& Land Management

LAND MARK

landmark-design.co.uk +44 (0) 1489 899 033
f /lmdarchitectural @lmd_architecture

WHITE ROSE PLUMBING Russell Beaumont

Free quotation
No call out charge
No job too small
Family run local business
24 hour emergency service

Tel: 01489 893419 Mobile: 07843 586366
Email: whiteroseplumb@googlemail.com

FAREHAM Creek VETS

32 East Street, Fareham PO16 0BY
www.farehamcreekvets.co.uk
Tel: 01329 280412

Local, independent small animal practice
Friendly, dedicated care for you and your pet
See the same vet at each visit
Close to Fareham town centre • Parking on site
24 Hours Emergency Service

M & S LOCKE & SON LTD

PLASTERING & CERAMIC TILING CONTRACTORS

Specialising in:

- All aspects of plastering
- All aspects of tiling
(inc. porcelain & stone interior/exterior)
- Full bathroom refurbishments

Family run business with over 30 years experience, we offer a reliable, friendly, and quality service.

For a free quotation/advice please call Dean on
Mobile: 07712 894119/Home: 01489 877199



HAMBLEDON GARDEN MACHINERY

All aspects of garden machinery repairs and servicing, including small plant & agricultural tractors
Delivery and collection available

Get in touch
☎ 07788 907334



CRAMER BESPOKE

CABINETRY | KITCHENS | FURNITURE

T: 02392 632222 M: 07805 040464
josh@cramerbespoke.com

Why not read our glowing reviews from some of the Meon Valley's most fabulous residents?

www.cramerbespoke.com



Oliver Chimney Sweep



Experienced member of the Guild of Master Sweepers.

Insurance approved certificates issued with every sweep.

Professional, clean brush and vac system.

02392 787967

Email: info@oliver-chimney-sweeps.co.uk



CARTERS

GARDEN MACHINERY
SINCE 1921

Celebrating 100 Years

EGO Mountfield
HAYTER TIGTA
STIHL Husqvarna



Machinery Sales | Service | Repairs | Hire

- Robotic Mower Installers
- Free Site Surveys & Advice
- Battery Machine Specialists
- Lawnmowers & Ride-Ons
- Hedge & Brush Cutters
- Chainsaws & Safety Clothing
- Leaf & Litter Blow-Vacs



Call us on: 01489 575242
Visit Our Store or Buy Online

www.cartersgardenmachinery.com

Duncan Road, Swanwick, Southampton, SO31 1BD. (Opposite Swanwick Railway Station. Follow the signs to the station from Park Gate.)



see me at www.trustatrader.com



Mark Oliver
PLUMBING & HEATING



INDEPENDENT FAMILY BUSINESS - ESTABLISHED 2002

All Domestic Plumbing Undertaken

Fully insured & Qualified Plumbers covering Hampshire area

Solar Hot Water & Air Source Heat Pump Installer

Oil Boiler Heating Specialist

Oil Boiler Installation & Servicing

Approved Grant Boiler Installer

12 Month Guarantee on all Installations

Finance Available - Senior Citizen Discounts
Card Payments Accepted

07743 386 540

01489 876 556 - 01962 435 026

www.moliverplumbing.co.uk

email:moliverplumbing34@gmail.com



GATES HOUSE GARDENS

Bespoke, hand crafted and tailor made just for you

- Extensions
- Summer houses
- Gazebos
- Garages
- Offices
- Decking
- Patios
- Driveways
- Woven steel - fencing, screens, planters
- Design ideas and solutions



www.gateshousegardens.com
07885 663 829 or email
jon@gateshousegardens.com
Soberton Heath, Hampshire

REQUEST A QUOTE TODAY



LANDSCAPE & GROUND WORKS Ltd

Free Estimates - Quality Work - Competitive Prices

**Brick Laying • Block Paving • Patios
Concreting • Drainage • Extensions
Garages • Decking • Fencing • Turfing**

All other aspects of Hard and Soft Landscaping and Maintenance

KEVIN HALL 07808 496004

Tel: 01329 832169 Email: lbhkevinhall@gmail.com



WINDOW CLEANING

OUR SERVICES

- Fascias, Soffits & Gutters
- Gutter Clearances
- Conservatory Roofs
- Roof Cleaning / Moss Removal
- Patio Cleaning



Find us on [@dmwindowcleaninghampshire](https://www.facebook.com/dmwindowcleaninghampshire)

07815 698 140
www.dmwindowcleaning.com

Mrs G's Pilates



- Enhanced core strength
- Improved flexibility
- Greater postural control
- Freedom of movement
- Self awareness
- Sense of well being

Tuesday Rooksbury Hall 9.15-10.15am, Wednesday The Meon Hall 9.15-10.15am, Rooksbury Hall 6.30-7.30pm, Thursday Denmead 9.15-10.15am, Rooksbury Hall 6.30pm-7.30pm. Friday Droxford Hall 9.15-10.15 am & 10.30-1130am

Contact Charlotte Graetz: 07776221077 or charlotte@mrsgpsilates.co.uk

North ProBuild Ltd.

**General building, Extensions,
Refurbishments, Kitchens,
Bathrooms, Landscaping,
Driveways, Patios and Decking.**

**Portfolio & References available,
helpful friendly reliable advice.**

Local Family run business in Soberton.

Please contact Darren

- ◆ darrennorth75@gmail.com
- ◆ 07946 106431
- ◆ 01329 833997



dwell design
ltd

A RIBA CHARTERED PRACTICE



Listed buildings



Bespoke residences



Conversions

"Anthony is a fantastic architect, who is passionate about what he does!"



PASSIONATE ABOUT SUSTAINABLE LIVING

01329 717515 | enquiries@dwell-design.co.uk

Probate & estate planning - leading the way in providing an AFFORDABLE service

WESTMINSTER LAW

Wills ~ Estate Planning ~ Probate



If you are over 60 it will cost you only **£95*** for us to prepare your Will.
We are also Lasting Power of Attorney specialists - only **£95*** each LPA if instructed during the Will appointment.
Our prices include VAT, home visits, and Inheritance Tax advice.*

**Call us now for a no obligation chat on
02392 706980**

www.westminster-law.co.uk email: info@westminster-law.co.uk

Westminster Law Ltd, 10 Grassmere Way, Waterlooville PO7 8QD

*These very special rates are only available if you are over 60 years old. Minimum spend for a free home visit is £95.
Our normal price for a standard single Will is £150, or £250 for a couple.

What's on (Village Diary)

Month	Date/day	Event / group	Time	Details
April	2 nd	Stitch & Chatter	14:00	Page 51
	2 nd	U3A - Timber framing for beginners	14:00	Page 38
	3 rd	Ladies Group - creating a wildflower meadow	20:00	Page 12
	9 th	Wickham Society - Rowans Hospice	19:30	Page 50
	10 th and 24 th	Pop in for coffee and cake at St Peter's	10:00	Page 4
	11 th	Local History Society - The history of Bishops Waltham	14:00	Page 15
	14 th	Sunday Club @ St Peter's	11:00	Page 37
	16 th	U3A - Orchids, terrorists & kidnapping in the Darien	14:00	Page 38
	16 th	Annual Parish Assembly	19:30	Page 44
	27 th	Meon Valley Bowling Club Open Day	-	Pages 42/3
	27 th	Antiques valuation	10:00	Page 12
	27 th	Meon Voices Spring Concert	19:30	Pages 43
May	1 st	Ladies Group - The Samaritans	20:00	Page 12
	4 th	Meon Valley Garden Club - Spring Plant Sale	10:00	Page 39
	7 th	Stitch & Chatter	14:00	Page 51
	7 th	U3A - Who was Henry of Blois?	14:00	Page 38
	8 th and 22 nd	Pop in for coffee and cake at St Peter's	10:00	Page 4
	9 th	Local History Society - River Hamble, source to the sea	14:00	Page 15
	10 th	Macmillan Coffee Morning	10:30	Page 17
	12 th	Sunday Club @ St Peter's	11:00	Page 37
	13 th	RBL - Lionel (Buster) Crabb - Cover Up Ministry of Secrets	19:00	Page 38
	14 th	Annual Parish Meeting	-	Page 44
	14 th	Wickham Society - Welbourne	19:30	Page 50
	20 th	COPY DATE FOR JUNE / JULY	-	
25 th	Newtown Church Fete	13:30	Pages 6/7	
Hold the date	29 th June 2024	Soberton Fete	-	Page 15
	14 th July 2024	Guide Hut Committee Village Trail	-	Page 19
	29 th July - 2 nd Aug 2024	Children's Week 2024	-	Page 11

Regular meetings/ events	Tuesday	Sobertots	10:00	Page 46
	2 nd Sunday	Sunday Club @ St Peter's	11:00	Page 37
	1 st Tuesday	Stitch & Chatter	14:00	Page 51
	1 st Wednesday	Soberton & Newtown Ladies' Group	20:00	Page 12
	2 nd /4 th Wednesday	Pop in for coffee and cake at St Peter's	10:00	Page 4
	3 rd Monday	Meon Valley Investment Club	19:30	Page 51
	2 nd Thursday	Soberton & Newtown Local History Society	14:00	Page 15
	1 st /3 rd Tuesday	Meon Valley u3a	14:00	Page 38

THE UNDERGROUND STREAM

By Charles Wylie

I know a soul like an underground stream,
Nourishing folk like the pleasantest dream.
Wherever she steps, if you look all around
You will find the grass greener, and flowers abound.

c.wylie986@btinternet.com

Colouring page - E is for Easter



Easter

Soberton and Newtown Young Voices

Jokes

Would February March?

No, but April May.

How does the Easter Bunny stay in shape?

Eggs-ercise

Why do people paint eggs for Easter?

It's easier than trying to wallpaper them!

Diary Dates

Sunday club at St Peter's – 11am

- 14th April

- 12th May

Children's Week – 'Read all about it'

Monday 29th July to Friday 2nd August

(See how to register on page 11!)

Brain Teasers

Feb/March answer=A. Your breath B. Water

A. What breaks yet never falls, and what falls yet never breaks?

b. Turn us on our backs and open up our stomachs, and you will be the wisest but at the start a lummoX. What are we?

Recipe for Easter!

Chocolate Easter Nests

Everyone's favourite bake – easy to make and uses up those Easter eggs!

Prep Time: approx. 30minutes

Ingredients

- 100g Cereals – cornflakes, rice crispies or even multi-grain shapes
- 250 g Chocolate – mixture of types to suit
- 50 g Butter or Margarine
- 2 tbsp Golden Syrup
- Mini Eggs (optional – any sweets can be used)

Instructions

1. Lightly grease a 12-hole muffin tray with a little excess butter/margarine or line with paper cases. Set aside.
2. Melt the chocolate, butter/margarine and golden syrup together either in microwave on low power or over hot water; stirring continuously.
3. Once melted, add your cereals and gently mix well, until all the cereals are coated in the chocolate mixture.
4. Spoon the chocolate-coated cornflakes into your prepared tray, gently pressing them into place and creating a slight indent in the middle.
5. Add a few mini eggs (or sweets) to the middle of each chocolate nest, gently pressing them into place.
6. Allow your nests to set in the fridge for an hour or two, before enjoying.

Editor's note

A big thank you to Caroline Rogers for guest editing Soberton and Newtown Young Voices for this edition!

We are still looking for a volunteer to take this over – could it be you? Please contact me on gill.highcroft@btinternet.com or 07711 058760.

Please don't let this be the last Soberton and Newtown Young Voices and Colouring Page – thank you!



Meon Valley u3a

Good day all. Another month passed. And another reminder of your MVU3A monthly activities.

April showers? As I write it seems as if it will never stop raining!

But better news- on 2/4 at 2pm we have "Timber framing for beginners" offered by Penny Copeland. Penny has spoken before with great expertise. I suspect she will not be showing us how to use a carpenter's chisel!

On 16/4 at 2pm we have a speaker new to us, but well known on the professional circuit - Glen Duggan speaking on "Orchids, terrorists and kidnapping in the Darien".

7/5 at 2pm brings us our last lecture for this season "Who was Henry of Blois?" from Tony Kippenberg. His power point presentations are a work of art and something to behold

Everybody is welcome. Guests will get an especially warm welcome. Our current record is 20 guests! Guests pay £2 to defray speaker costs. Venue is Wickham Community centre. Tea and biscuits provided after the talk, and we always have pre-loved books for charitable sale.

Lyndon (Chairman)

Contact 07881991763

Or lyndonplmr@gmail.com

Web site - u3asites.org.uk/meon-valley



ROYAL BRITISH LEGION

Droxford & District Branch

founded on 26th March 1920 as Comrades of the Great War



LIONEL CRABB (GIBRALTAR 1942)

On Monday 13th May 2024, author and historian Giles Milton will be talking to us about "*Lionel (Buster) Crabb – Cover Up Ministry of Secrets*". He will be supported by branch member and former Royal Navy Mine Clearance Diving officer, Commander Julian Malec OBE RN. The talk will commence at 1900 in Droxford Village Hall and non-members are welcome to attend. There will be a cash bar from 1830 and the talk will be followed by a curry supper available for those that book for £15 per head, payable in cash on the night. Non members wishing to take supper, please email robmunroscott@aol.com a week beforehand.

Giles Milton FRHistS is a successful writer and journalist who has sold over one million books in UK and in 25 different languages. He last spoke to the branch in May 2019 on his book "*Churchill's Ministry of Ungentlemanly Warfare*". A selection of his books will be available to purchase on the night.



The RBL Droxford & District Branch is always looking for new members, both Service and civilian, to help keep remembrance alive and support our Servicemen and women, veterans and their families. For more information or to join us, please contact the Secretary – Cdr Rob Scott RN at robmunroscott@aol.com or 01489 877800. www.soberton.org/rblweb

Spring Plant Sale

Saturday MAY 4th
10.00

Droxford Village Hall
Droxford High St. SO32 3PA

Plants, Produce and
Home Baking for



D-Day – 6th June 1944



Eighty years ago on 6th June 1944, the largest ever invasion was launched to liberate Northwest Europe from Nazi German occupation. With the immortal words “OK, let’s go!”, the Supreme Commander, US General of the Army Dwight D Eisenhower signalled the start of Operation OVERLORD (colloquially known as D-Day). 160,000 Allied troops were landed across a 50-mile front onto the beaches of Normandy by an armada of 7,000 ships, including 1,200 warships, 4,000 landing ships and craft, and merchant vessels, supported by 13,000 aircraft: 14,674 sorties were flown between midnight and 0800 alone. British and

Canadian forces landed on Gold, Juno, and Sword beaches to the east while US troops landed on Utah and Omaha to the west. By 11th June, 350,000 troops, 54,000 vehicles and over 100,000 tons of war materiel had been landed. Some 10,000 Allied casualties were sustained on D-Day itself – 6,600 American (mostly on Omaha), 2,700 British and 946 Canadian – both during the landings and the battles to secure the beachheads.

Detailed planning for OVERLORD commenced in early 1943. As precise dates and times were unknown, and in common with all military planning, the launch date was designated ‘D’ (for Day) with ‘H’ (for Hour): operation orders could then refer to D-2, D+1, H+1, etc. The Americans initially favoured an assault on the Pas de Calais – the shortest route from UK – while the British preferred Normandy as a less obvious choice. An elaborate deception plan, Operation FORTITUDE, was conceived to convince the enemy that the main invasion would indeed take place in the Pas de Calais. This worked well and almost complete surprise was achieved, helping to reduce the number of casualties. OVERLORD opened with an assault by airborne troops from three divisions (two American and one British) to secure the flanks, to enable British forces to capture Caen and for the Americans to hook right into the Cotentin Peninsular to take the port of Cherbourg.



SOUTHWICK HOUSE, SUPREME HEADQUARTERS ALLIED EXPEDITIONARY FORCE 6 JUNE 1944

Military plans ‘seldom survive first contact with the enemy’ and, although D-Day was an overwhelming success, the battles to secure Caen and Cherbourg took much longer than expected. The naval phase of OVERLORD, Operation NEPTUNE, succeeded in reconnoitering and clearing the beaches, bombarding German fortifications, securing the English Channel against incursion by enemy warships – principally U-Boats (submarines) and E-Boats (fast torpedo boats) - enabling landing ships and craft to assault the beaches, and ensuring vital supplies of ammunition, food and fuel reached the invading armies. Two temporary MULBERRY harbours provided a vital offloading facility, augmented by an oil pipeline (PLUTO – Pipe Line Under The Ocean) from August. By mid-July, 1½ million troops had landed with the Normandy campaign finally ending on 21 August with the



BRITISH TROOPS LANDING ON GOLD BEACH

enemy in full retreat. The human cost was huge: Allied forces had sustained 209,000 casualties (37,000 killed) against 250,000 Germans with a further 200,000 enemy prisoners taken. It would take a further 9 months of intensive fighting and many more casualties to defeat Germany.

With veterans now in their late 90s or older, 2024 is likely to be their final commemoration of this momentous event. Ceremonies will be taking place in Normandy, Portsmouth and across the nation. For latest details, visit [D-Day 80 - GOV.UK \(www.gov.uk\)](https://www.gov.uk).

Rob Scott

Local History ... our villages and D-Day

The spring of 1944 must have been one of the strangest in Soberton's long history surpassing that of the Civil War of the 1640's when there was also a build up of troops in the area. Then they were predominantly British and European but in 1944 there were many from the New World especially we have been told, from Canada, sheltering in and around the Forest of Bere.

Never were so many men assembled within the parish. British servicemen guarding certain specific areas were by this time an accepted part of the scenery. There were certain areas restricted to the villagers and identity passes may have had to be shown several times as one passed through the parish. Strange objects appeared in the fields and at times on the pond. A few people might be aware of things happening behind closed barn doors at East Hoe and be aware that there was an emergency landing strip on a local farm but they were also aware of posters bearing messages about careless talk costing lives and probably did not air their views in public places.

Few, if any, would have been aware of what was taking place a few miles away in Southwick House and how important a role that was going to play in the invasion of 'Fortress Europe' or D-Day, as we commonly know it.

Both General Eisenhower and General Montgomery and their staff were installed close to the house and what was going on inside Southwick House was only revealed after the event.

The fiftieth anniversary saw several local exhibitions and the publication of a number of books and pamphlets describing the events of that time. The official booklet "Southwick House, The D-Day Village" and Geoffrey O'Connell's "Southwick the D-Day Village that went to War" give excellent accounts of Southwick. Also published in 1994 was "Fareham; D-Day 50 Years on" a collection of Fareham resident's memories. Once again Soberton's role got overlooked because the "big" event took place at the railway station which, although in Soberton parish, was known as Droxford Station. It was here in the early days of June that Winston Churchill met ministers of dominion countries, Mackenzie King of Canada, General Smuts of South Africa as well as representatives from New Zealand and Rhodesia with visits from General Eisenhower of the U.S.A.

There are oral accounts of some of these men being seen in Droxford and visiting the public houses there but not of Winston Churchill himself. He was supposedly spotted at times by members of the Home Guard walking in the siding by the special train but the train was guarded by the armed forces and the local guard was kept at a distance. We have heard of later bragging rights as to the most important person seen and one man having listened patiently all evening announced he had come closest to Churchill because he emptied the toilet bucket. Presumably that put an end to the conversation.

One man recalled that as a young lad he was cycling home from Meonstoke. Cycling at full speed he had swung out on to the Droxford to Hambledon road where he had never encountered any traffic previously but was nearly in collision with a staff car bearing one of the wartime leaders.

The majority of Soberton's oral history comes from men who were schoolboys at the time. They did their best to get into the forest camps where their diet was supplemented by the Canadian's generosity. They also recalled the more outrageous doings of the 'bored with waiting' young Canadians who shot at targets in trees and fished in the river using explosives. We have been told of a Canadian called Micky who knocked out six men one evening but whether it was in a boxing contest against fellow Canadians or a local brawl the informant was not sure. Adults remembered young soldiers asking if they had any hot water to spare so that they could have a shave and of queues forming if the answer was positive. No doubt slightly exaggerated over time. Many remember the weekly singing at Rookesbury Hall which took place on Sunday evenings and the strong feeling of community spirit. The local midwife told of an evening when she had been contacted by a frantic dad to be and had set off in her car only to be stopped at the top of a road by a guard who refused to let her through. She demanded to see his commanding officer and prayed for a sympathetic ear. The road was full of tanks parked chevron style with their guns down making it almost impossible to get through however permission was granted for her to pass and she had a military guard of honour as guns were raised to let her through. Unfortunately, we cannot find any birth to uphold this story.

The one thing that is common to every story is the complete emptiness felt by all as D-Day arrived but the troops had disappeared from the forest and the tree covered lanes.

If you have any stories of this period in Soberton's history please could you get in touch with the local history society. Strong friendships were forged in a short time and perhaps continued by post.

The Elms or Elm Cottage – can you help locate?

Please can anyone help with locating the above property? If you think your property used to be known by one or other of these names please could you get in touch with annpendred@gmail.com. It seems odd these days when we rely on our postal code as part of our identity that addresses were seldom needed. "Oh he lives at Webbs Green" or "They live on the common" were sufficient. Farms had names often derived from an owner but as houses began to be built in greater numbers around the turn of the 19th to 20th century many seem to have taken their name from a tree. Unfortunately few elm trees survive to help answer this question.

MEON VALLEY BOWLING CLUB



Welcomes everyone of all
ages to their

 **OPEN DAY!**

SATURDAY 27th APRIL 2024

**COME
AND
TRY IT OUT**

**VISIT OUR
GREEN AND
START BOWLING!**



Based at Priory Park,
Bishop's Waltham
It's at the top of
Elizabeth Way,
off Victoria Road,
Bishop's Waltham
SO32 1SQ

Our qualified
Coaching team will
be available with
details of our
**2024 Beginners'
Course**

We shall be operating a
booking system to enable
us to maintain social
distancing throughout
each taster session.

**Booking commences
15th April 2024
To book your place.
Tel: 01489 896194**

Please visit our website for further information:
<https://meonvalleybowlingclub.chessck.co.uk/About%20us/OpenDay>

Meon Valley Bowling Club

Come along and have a go at playing Lawn Bowls

Preparations for our annual Public Open Day are in the planning stage and we are looking forward to welcoming everyone of all ages on Saturday 27th April 2024 to come and have a go at lawn bowls. We anticipate that it will be necessary for us to provide a booking system for allocated time slots for members of



the public to come along and visit us and this will be on a first come first served basis. We will publish full details of this booking system on our website.

<https://meonvalleybowlingclub.chessck.co.uk/>.

Alternatively, telephone 01489 896194 from **15th April 2024**.

Our Public Open Day provides an opportunity to meet club members and look round our lovely pavilion and all the facilities our friendly club offers. Our qualified coaching team will be on hand to assist your introduction to our sport and encourage you to enrol for our highly successful Beginners Course.

Affiliated to Bowls England, Bowls Hampshire, Southampton and District Men's and Women's Bowling Associations, we enjoy competitive league and friendly bowling against local clubs and have produced both County and District Champions in recent years.

In addition to playing bowls our Social Committee produce an entertaining programme of events throughout the year to enable members to meet socially, make new friends and enjoy all that our bar and catering facilities can offer. Bowls is not just a game - it's where friendships are formed.

John Gray
Publicity Correspondent.



Meon Voices Spring Concert **Spring into song with The Meon Voices**

Calling all music lovers. The Meon Voices are back with their Spring Concert, ready to lift your spirits and usher in the warmer season.

Join us on Saturday, April 27th, 2024, at 7:30 PM at St. Peter's Church, Bishop's Waltham.

Prepare yourself for an evening of stirring melodies. Our talented choir, featuring soprano, alto, tenor, and bass sections, will showcase rich harmonies and beautiful soundscapes. From the timeless works of Gershwin and John Rutter to the captivating sounds of Vaughan Williams, a touch of Cabaret flair, and even a sprinkle of Adele, there's something for everyone in this diverse programme.

Unwind during the interval with a refreshing cup of tea, coffee, and biscuits.

Admission is completely free. We'll have a cash collection at the end, with proceeds being generously shared between the choir and the church's chosen charities.

Feeling the musical spark? The Meon Voices are a welcoming bunch, and we have a waiting list for new members. Our practices take place on Monday evenings from 7:30 to 9:30 pm at the United Free Church in Bishop's Waltham. We hold at least two performances a year, one during the festive season and another in the spring.

Don't miss out on this heartwarming evening of music and community. We look forward to sharing our passion for singing with you.

If you would like further information, please email Jane on janevose@icloud.com or contact Phil on 01489 579078 or via email coundleypj@yahoo.com

SOBERTON PARISH COUNCIL - *Chairman's notes*

www.soberton.org

inc Newtown, Hundred Acres, Hoegate, Soberton Heath, Kingsmead, Bruckbridge and Soberton

The Annual Parish Assembly 2024

This year the Annual Parish Assembly (APA) will be held on Tuesday 16th April at Rookesbury Hall, Church Road, starting at 7.30pm. This is a public meeting where the PC will issue its annual report and invite local groups to give a short presentation. There will be an opportunity for questions following each presentation.

The PC website <https://www.soberton.org> will publish further information and detailed report(s) ahead of the APA.

The Annual Parish Meeting 2024

The Annual Parish Meeting (APM) will be held on Tuesday 14th May 2024. This is a meeting held in public at which officers, committees and groups of the Parish Council are elected. Full details will be published on our website in early May.

For further information please contact the parish clerk clerk@soberton.org.

Pot Holes

Many of our roads and lanes in the parish have been particularly affected by pot holes; whilst HCC Highways do fill and repair these this is an on going task. Please refer to the HCC Highways website where there is a special page to report pot holes. In my personal experience this is usually very effective in seeking for work to be carried out.

Fly Tipping

Fly tipping should be reported directly to Winchester City Council via their website or using the Your Winchester App (available on iphone or android) or telephone the Customer Service Team on 0300 300 0013.

Footpaths and Bridleways

There are miles of footpaths and bridleways across the Parish, many are used daily, some less frequently. However, all should be maintained by the land owner who must allow unfettered access. Many of our footpaths/bridleways are in public ownership and are managed by the Hampshire County Council countryside team. If anyone experiences any access difficulties or poor maintenance of stiles and gates please contact either HCC (via their website) or the Parish Clerk who will assist in directing your comments to the appropriate person.

Planning Applications

Members of the PC review all planning applications submitted to both SDNPA and WCC and comment where appropriate. 73% of the Parish is within the South Downs National Park, and whilst all applications are administered in Winchester, the National Park Authority (NPA) uses the WCC planning team as "host authority" and funds officers' time. As the higher authority the SDNPA is able to review and if necessary 'call in' applications located in the National Park which may have impacts beyond the local area.

If you have any comments on a specific application we would urge you to respond directly to the appropriate planning authority. In addition, don't hesitate to send comments to the PC who will consider all comments ahead of making representation on behalf of the PC. If you want to search quickly for a planning application then these are the links:

[Simple Search \(winchester.gov.uk\)](http://winchester.gov.uk)

[Simple Search \(southdowns.gov.uk\)](http://southdowns.gov.uk)

Just type the address in which you are interested in the box and press search. Once you have found an application it is quick and easy to make a comment.

Parish Design Statement (PDS)

The drafting of the document's next stages has commenced and further consultation will be announced as the process moves ahead. Everyone's input is welcomed, please speak to/email the clerk if you are interested in assisting.

The Soberton and Newtown Conservation Group (SNCG)

In early March the Conservation Group were delighted to welcome a team of rangers from the South Downs National Park Authority to Soberton Down to help with the vital task of strimming last year's vegetation to prepare the site for the annual explosion of chalk grassland flowers over the next few months. In addition, a team of volunteers organised by the National Park Authority also visited the Down and their help was also greatly appreciated. Later in March further visits by professional rangers from the Winchester and West Sussex continued the work. The SDNPA are considering how best to assist in the future with the Down and other schemes in the Parish including educational projects. See page 10 for further information.

Climate Action for Newtown and Soberton (CANS)

CANS are now a group of Soberton Parish Council, Cllr Rachel Cole will represent the PC. The PC are pleased to assist the group in achieving its aims to work in the parish advising and helping us all to live more sustainably and be more efficient with our use of energy. See page 9 for further information.

Hedges, Nesting Birds

The PC remind those who are responsible for hedges you must not do any work which might harm nesting birds or destroy their nests from 1st March to 31st August.

This is the main bird nesting and breeding season. Further information please email the parish clerk clerk@soberton.org

Soberton Recreation Ground

The parish council is developing a project to restore the football pitch playing surface and other improvements, further information will follow.

John Hyland
Chairman

Need Transport to Medical Appointments?



SOBERTON AND NEWTOWN Good Neighbours Group

We are here to drive local people, of all ages, to hospitals, GP surgeries, dentists, opticians and other health practitioners. Our friendly volunteer drivers use their own cars, are all DBS checked and fully insured. *A donation towards fuel costs is requested.*

CAN YOU HELP US?

If you would like to *join* our driving team, we would love to hear from you. All our volunteer drivers decide which journeys they can offer, and are reimbursed for their mileage.

For more information call:

Kate Harvey on 07843 496852 or
Kate Chesters on 07710 716664



Why do toads cross roads?

Gemma Paul, Centre Assistant, Hampshire & Isle of Wight Wildlife Trust

During breeding season frogs and toads naturally try to migrate back to the bodies of water where they originally spawned so they can mate and lay eggs. Unfortunately, manmade structures like roads and fences can provide difficult obstacles for wildlife to cross over, especially as they grow into larger adults and are unable to slip back through the holes they first came through. It is estimated that a staggering 20 tonnes of toads are killed on UK roads every year.

During February, Hampshire & Isle of Wight Wildlife Trust rescued 170 toads and 7 frogs, thanks to the efforts of the Swanwick Lakes Education and Engagement team.

The team carefully collected and counted the toads and frogs, including mating pairs, from along a security fence line. They were then safely released onto the other side of the fence to continue their migration to their breeding grounds, and so are now able to spawn the next generation.

Frogs are both predators and prey, which makes them an important part of the food chain. They provide a vital source of food for several species, as well as helping to control populations of others. They are also considered an

indicator species as they are very sensitive to changes in their environment (both aquatic and terrestrial) and their permeable skin makes them especially vulnerable to pollutants. Monitoring populations of indicator species can be an important way to pick up on early warning signs of environmental changes or damage to natural habitats and ecosystems.

There are only four native species of frog in the UK of which two are toads. Toads are a type of frog but they have shorter legs, broader noses and drier (and bumpier) skin, which allows them to survive for longer in dry conditions compared to most other frogs. Toads also produce bufotoxin via their skin to defend themselves from predators. Unfortunately, toad populations in the UK have been steadily declining due to habitat loss, pollution and climate change. Because of this they are listed as a biodiversity priority species under the Natural Environment and Rural Communities (NERC) Act (2006).

Swanwick Lakes Nature Reserve is owned by NATS and managed in partnership with Hampshire & Isle of Wight Wildlife Trust. Several amphibians call the reserve home, including three species of newt. They provide a vital source of food for other wildlife including herons, grass snakes and badgers, plus dragonflies and damselflies.

For more information about toads and frogs please visit: www.hiwwt.org.uk/wildlife-explorer/amphibians

SOBERTOTS

PLAYGROUP

EVERY TUESDAY: 9:30AM - 11:00AM

SUGGESTED DONATION: £3.00

SOBERTON & NEWTOWN GUIDE HUT,
HEATH ROAD, SOBERTON

FUN FOR ALL THE FAMILY



SOBERTOTSPRAYGROUP

WINCHESTER CITY COUNCIL – District Councillors

The duties of your District Councillors are multi-dimensional. From representing your concerns and views at District council meetings always with the intent of creating a better local district, to leading local campaigns on your behalf. You can of course always raise a question at Council meetings yourself about any local concerns.

How do we ensure we fulfil our duties as District Councillors for Central Meon Valley? We firstly need to be aware of any problems and get to know our patch. We do this with close engagement with your Parish Council and during regular visits to Parishes. We attend Parish Council meetings for a two-way exchange on key issues. We take on casework raised directly by residents or gathered from Councillor Surgeries. We also collaborate with representatives of local organisations, interest groups and businesses, communicating council decisions that affect them.

So, what is currently in your Councillors' 'shopping' basket?

The Surface, Ground & Waste Water challenge

This ongoing challenge for upgrades to the local drainage system to prevent flooding. We represented this need again at a recent Southern Water with the Council session on a new 'Clean Rivers and Seas Task Force' to reduce storm water. We will be following-up in short order if there is not an early response.

Sustainable Transport and Travel issues

I am pleased to report that the first Central Meon Valley Transport/travel forum with Parish Council portfolio leads was held on 28 February. The initiative aims to achieve focused and amplified action on common issues that affect our Parishes.

No surprise the Top Three common concerns are:

- Speed of vehicles
- Number of vehicles (and the size of many)
- Lack of a joined-up movement strategy.

There will be no quick wins, but we hope this Forum initiative will speed up more effective transport/travel solutions for Central Meon Valley Parishes.

Phase out of Landlines

The proposed phase out of Landlines means a switch to digital voice as the old system is

reaching end of life. Whilst the new digital system delivers a step improvement in the amount of data that can be transferred across the network, it may be more prone to power outages. A battery back-up will be available (if requested), albeit with a limited duration. However, communications will not work if the problem is further along the communications chain e.g. at the telephone interchange. Moreover, if power is lost to an area, not only will all the landline communications go down, but also all mobile phone communications as mobile phone towers are powered, and most do not have a battery back-up. Therefore, without clear mitigation plans there will be increased risk of total communications loss in an area following a power outage.

We are seeking clarity from the Council as to what preparedness plans are being considered especially for poor or no mobile network coverage areas.

Finance

Whilst keeping the increase of the District's element of Council Tax in next year's rate rise to less than inflation at 2.6% within a total Council Tax increase of 4.8% is a good news story, the financial strain on councils including Winchester and County continues to grow. More financial housekeeping will be required to balance the books in future years.

Please see the HCC budget consultation to make your representation about cuts in services. And please feel free to contact your Councillors with any contributions to the Winchester Council organisation-wide programme called Transformational Challenge 25.

Have a great Easter.

Winchester District Councillors for the Central Meon Valley



Danny Lee, 07896 644504
dlee@winchester.gov.uk
Malcolm Wallace, 07739 050224
mwallace@winchester.gov.uk
Frank Pearson, 01489 892822
fpearson@winchester.gov.uk



First Preference Secondary School in Hampshire

More than 98 per cent of parents in Hampshire (14,312) have been offered a place for their child at one of their three preferences for a secondary school in September 2024.

Of those who applied for a Year 7 place for September 2024 by the application deadline, 90.71 per cent (13,232) have been offered a place at their first preference school. The County Council received 14,587 on-time applications this year – a decrease of 306 on-time applications compared with the number received for places in September 2023 (14,893).

For those parents and carers who have not secured a place at one of their preferred secondary schools this year, I would urge them to please visit our website for advice and guidance on their options - <https://www.hants.gov.uk/educationandlearning/admissions>



Pupils who did not secure a place at one of their preferences have been allocated a place at their catchment school or the next

nearest school with a place available. Parents have the right to appeal against any refusal in these situations and their child's name will be added to the waiting list for their preferred schools. Places can become available via the waiting list for various reasons including parents changing their mind, or families moving home.

Parents who applied online have been notified of their offers by email. They can also view their offer by logging into the secure, online portal using the same log-in details provided when making their online application. Those parents who applied on paper have been notified by email if an email address was provided in their application form or by post where no email address was provided and should receive their letters in two to three days.

A set of Frequently Asked Questions to help with parents' queries has been published on the Admissions webpage - <https://www.hants.gov.uk/educationandlearning/admissions/year-seven-offer-day-faqs> This includes information on school transport assistance which may be available in certain circumstances, where the

national eligibility criteria are met (application deadline 31 May).

The Admissions Team is now busy processing main round infant, junior and primary school applications with school place offers due to go out to parents on 16th April 2024.

Budget

£2.6 billion of public spending on the ongoing delivery of important local services to Hampshire's 1.4 million residents in 2024/25 has been approved by Hampshire County Council. From 1st April 2024, Hampshire County Council's portion of council tax increased by a total of 4.99%, of which 2% will go specifically towards adults' social care and supporting the County's higher numbers of older people and adults with complex needs and disabilities - in line with Government policy. This equates to an annual charge of £1,533.24 for a Band D property – an increase of £72.99 per year or approximately £1.40 a week. The increase will generate an extra £39 million of vital income towards the delivery of crucial services to the people of Hampshire in 2024/25.

Alongside revenue budget plans, which relate to the day-to-day delivery of local services to Hampshire residents, the County Council has also approved new capital spending of £880.6 million over the next three years. The three-year programme includes:

- £173 million to safeguard the long-term viability of the Older Adult care estate.
- £192 million investment in new and extended school buildings to provide school places for children in Hampshire - delivering a further 5,312 school places and giving a total of 19,989 new school places by September 2027.
- £163 million for structural maintenance and improvement of roads and bridges.
- £73 million of Integrated Transport Plan schemes including £43 million of schemes focused around walking and/or cycling improvements.
- £76 million to address condition-based enhancements to schools.

Funding Approved to expand Childcare Before and After School

Hampshire County Council has approved funding of £5.9 million to help more parents access childcare before and after school. The funding has been granted by the Department for Education to support schools

and Local Authorities to set up or expand the provision of childcare which 'wraps around' the school day, enabling parents and carers of primary school-aged children to access and pay for term time childcare from 8.00am – 6.00pm.

The funding will be allocated from September 2024 over two academic years until April 2026. The expectation is that after this point, settings will be able to run successfully on income from parental fees, without the need for further financial assistance.

Volunteers Plant 950 trees to create Mini-Forest

A new woodland has been created in Havant thanks to local volunteers who have planted 950 trees in Havant Rugby Ground - helping to boost wildlife and biodiversity. A team of around 30 people planted a mixture of species including oak, beech, field maple, hawthorn, blackthorn, wild cherry, and hazel. The project was organised by Hampshire County Council's Hampshire Forest Partnership. Groups or communities interested in planting a mini forest or orchard can contact the Hampshire Forest Partnership via its website. The Forest Partnership's Coronation fund is open for projects that can be planted by March 2025. see - <https://www.hants.gov.uk/hampshireforestpartnership/get-involved/people-communities>



Silver Line

The Silver Line Helpline, run by Age UK, is a free confidential helpline for older people which is open 24 hours a day, 7 days a week. Call free on Phone 0800 470 8090.



Successful Prosecution of Fraudulent Trader

Hampshire County Council has welcomed the successful prosecution of a rogue trader who has been sentenced for roofing fraud to the value of £642,850.320 involving 29 properties across Hampshire, West Sussex and the Isle of Wight. The prosecution was brought by Hampshire County Council Trading Standards.

Rights of Way

To report a problem on a footpath [not pavement] or right of way contact - <https://www.hants.gov.uk/landplanningandenvironment/rightsofway/reportaproblem>

Eligible for Free School Meals?

To find out if your child[ren] are eligible for free school meals visit - <https://www.hants.gov.uk/educationandlearning/freeschoolmeals/juniorsecondary>. Please note, Hampshire County Council is unable to provide money to help with school uniforms.

Consumer Rights

If you want to find out your Consumer Rights visit - <https://www.hants.gov.uk/business/tradingstandards>

Potholes

To report a pothole visit - <https://www.hants.gov.uk/transport/roadmaintenance/roadproblems/potholes>

Patricia Stallard
Winchester Southern Parishes

Visit the Houses of Parliament

I continue to organise coach trips for constituents to come and visit the Houses of Parliament on a Monday and, if you are interested, please get in touch.

They have proved very popular and some in the months ahead are already fully booked up but I will be organising others so please put your name down.

It is important that everyone gets the chance to come to London and see where and how our democracy works. There is a tour of the Palace, including the House of Commons and Lords, If open, and famous places like Westminster Hall and Central Lobby. There is also the chance for some free time in London before catching the coach back - all at a cost price.

I also regularly have tickets for Prime Minister's Questions on a Wednesday if constituents would like to see this weekly showpiece in the House of Commons. Numbers are restricted to two at a time, but please do get in contact, if you would like to come. Email me for both the tour and PMQs at: flick.drummond.mp@parliament.uk

Best wishes
Flick

Meon Valley Community Bus Association

*** Timetable ***



Mondays, 2 nd and 5 th Friday to FAREHAM	
0900	West Meon Thomas Lord PH
0903	Warnford Village Hall
0908	Exton The Shoe PH
0910	Meonstoke PO & Stores
0914	Meonstoke Pound Cottages
0921	Droxford Square (PARK & RIDE)
0925	Brockbridge The Hurdles
0930	Soberton Village Hall (PARK & RIDE)
0933	Webbs Green War Memorial
0936	Soberton Heath Chapel Road pond
0938	Soberton Heath Bold Forester PH
0940	Newtown Rookesbury Hall (PARK & RIDE)
0945	Hundred Acres
0957	Fareham Library
1002	Fareham Sainsbury's
Return:	
1200	Fareham Sainsbury's
1205	Fareham Library

3rd Friday Each Month to HEDGE END	
0900	West Meon Thomas Lord PH
0903	Warnford Village Hall
0908	Exton The Shoe PH
0910	Meonstoke PO & Stores
0914	Meonstoke Pound Cottages
0921	Droxford Square (PARK & RIDE)
0925	Brockbridge The Hurdles
0929	Soberton Village Hall (PARK & RIDE)
0933	Webbs Green War Memorial
0935	Soberton Heath Chapel Road pond
0938	Soberton Heath Bold Forester PH
0940	Newtown Rookesbury Hall (PARK & RIDE)
0945	Hundred Acres
1007	Hedge End Marks & Spencer
Return:	
1200	Hedge End Marks & Spencer

4 th Friday Each Month to WATERLOOVILLE	
0900	West Meon Thomas Lord PH
0903	Warnford Village Hall
0908	Exton The Shoe PH
0910	Meonstoke PO & Stores
0914	Meonstoke Pound Cottages
0921	Droxford Square (PARK & RIDE)
0925	Brockbridge The Hurdles
0929	Soberton Village Hall (PARK & RIDE)
0933	Webbs Green War Memorial
0936	Soberton Heath Chapel Road pond
0938	Soberton Heath Bold Forester PH
0940	Newtown Rookesbury Hall (PARK & RIDE)
0957	Waterlooville Waitrose
1005	Waterlooville Sainsbury's
Return:	
1200	Waterlooville Sainsbury's
1205	Waterlooville Waitrose

1 st Friday Each Month to WINCHESTER	
0900	Soberton Village Hall (PARK and RIDE)
0904	Brockbridge The Hurdles
0909	Droxford Square (PARK and RIDE)
0915	Meonstoke Pound Cottages
0919	Meonstoke PO & Stores
0921	Exton The Shoe PH
0926	Warnford Village Hall
0946	Winchester Broadway
0953	River Park Leisure Centre
Return:	
1155	River Park Leisure Centre
1200	Winchester Broadway

Leave	Wednesdays to PETERSFIELD	Return
0900	Soberton Village Hall (PARK and RIDE)	Petersfield Tesco 1155
0904	Brockbridge (The Hurdles)	Petersfield Sq 1200
0909	Droxford Square (PARK & RIDE)	Warnford George and Falcon 1221*
0916	Meonstoke Pound Cottages	Corhampton 1224*
0921	Corhampton	Pound Cottages 1229*
0924	Warnford George and Falcon	Droxford square 1236*
0945	Petersfield Square	Brockbridge (The Hurdles) 1301*
0950	Petersfield Tesco	Soberton Village Hall 1305*

Note: Includes all request stops up to and including West lodge (Church lane)

** Drop off only and approx dependent on passenger numbers.*

No service on other days or Public holidays. £5 return, £2.50 single any journey. Bus passes accepted. Under 16 half fare. Under 5 free. Dogs allowed subject to driver discretion. Timings are strict, bus will not wait after scheduled time. All enquiries to : mvcba1985@gmail.com ☎07300 425305

Wickham Society Spring meetings

Meetings are held at the Wickham Community Centre starting at 7.30 pm. Membership is £6 per annum or £2 for an occasional visitor. New members and visitors are always welcome.



9 April 2024 – learn about the recent hospice refurbishment and the impact of the pandemic on the charity



14 May 2024 - an opportunity to hear from Buckland Development Ltd about their building programme and consequences for our community.

For more information, please contact Wendy Greenish at wendy.greenish@gmail.com or 01329 833583 or via: www.wickhamsociety.org.uk

Keeping up to date with events at Welborne

Please refer to: <https://welborne.co.uk/news/latest-updates>

USEFUL INFORMATION

Any additions or changes, please contact the editor

USEFUL NUMBERS			LOCAL CLUBS AND INTEREST GROUPS		
Good Neighbours Group offers transport to medical appointments (see page 45) <ul style="list-style-type: none"> ❖ Kate Harvey on 07843 496852 ❖ Kate Chesters on 07710 716664 			Brownies & Guides Caroline Rogers 01489 877430		
			Stitch & Chatter Louise McEwen 01489 877448 Sandra Henderson 01489 877978		
			Local History Duncan Colin-Jones 01489 877237		
			C.A.N.S Suzanne White 07944 010909		
			Soberton Utd FC Steve Norris 07853 292881		
			Soberton Players Susan Hyland 01489 878724		
Doctors Surgeries Wickham 01329 833121 Droxford 01489 877588 Denmead 02392 239630 Bishops Waltham 01489 892288			Table Tennis Pete Woodacre 01489 877768 Adrian Hunt 01489 878141		
CAB Adviceline 0800 144 8848			Ladies Group Liz Whales 01489 877712		
Carers Helpline 0808 808 7777			Sunday Club Lucie Jones luciehjones@btinternet.com		
Age UK Advice Line 0800 678 1602			Conservation Group Phil Bergin 02392 632551		
National Gas Emergency 0800 111 999 National Power Cut Helpline 105 Portsmouth Water emergency line 02392 477 999 Southern Water emergency line 0330 303 0368 BT has a free Priority Fault Repair Scheme for people who rely on the telephone for health or mobility reasons 0800 800 150			Sobertots Matilda Curtis 07411 129303		
			Meon Valley Investment Club Hugh Pringle 02392 632551		
LOCAL FACILITIES			DISTRICT COUNCILLORS		
Soberton Village Hall Booking Katie Flannagan 07850 569548 sobertonvillagehall@googlemail.com www.sobertonvillagehall.co.uk			Central Meon Valley Councillors Frank Pearson See page 47 for contact details Malcolm Wallace Danny Lee		
Rookesbury Hall Booking Jenny Doney 01329 834392 Bookings@rookesburyhall.co.uk			County Councillor Patricia Stallard 02392 251484		
Guide Hut Booking Caroline Rogers 01489 877430 guidehutsoberton@gmail.com			SOBERTON PARISH COUNCIL www.soberton.org		
			John Hyland Chairman chair@soberton.org		
			Neil Findlay Vice-Chairman vicechair@soberton.org		
			David Salmon Cllrsalmon@soberton.org		
			Sam Marland Cllrmarland@soberton.org		
			David Cleeve Cllrcleeve@soberton.org		
			Rachel Cole Cllrcole@soberton.org		
			Jonty Sherwill Cllrsherwill@soberton.org		
			Vicki Weston Cllrweston@soberton.org		
			Paul Henderson Cllrhenderson@soberton.org		
			David Buttriss Cllrbuttriss@soberton.org		
			John Russell-Smith c/o clerk@soberton.org		
			Clerk and Proper Officer clerk@soberton.org		
CHURCHES					
Newtown Church Wardens Fra Wells 01329 834130 Barry Rowswell 01329 834671					
Soberton Church Wardens Louise McEwen 01489 877448 Malcolm Chapple 01489 877151					
PCC Secretary(N) Barry Rowswell (acting) 01329 834671					
PCC Secretary(S) Norman Chapman 01489 877378					
Capt. Of Bells(S) Caroline Rogers 01489 877430					
Churchyard Keeper (S) John Lester 01489 878557					
Church Safeguarding Lucie Jones luciehjones@btinternet.com					

Please e-mail copy for the June / July magazine to
 gill.highcroft@btinternet.com

NEXT COPY DATE - 20th May 2024

From the Archives.....



Above - St Peters Church is lucky to have a ring of 8 bells, ranging in weight from 4 cwt to 13 cwt. 2 bells were made in C1527 and the no.6 bell above is one of these. Inscribed in latin, it translates as " Pray for the soul of Newport & Elizabeth his wife". Amazing to think that bells made in the reign of Henry VIII are still being rung today! On the right, maintenance being carried out by Paul Cluett of Hambledon. **Below** - Ring For The King! The current band of Bellringers ring to celebrate King Charles Coronation Day on 6th May 2023. If you would like to learn to ring, contact any of the ringers.



(from the Archives of the Soberton & Newtown Local History Society) any additional information is always welcome. Please contact duncan.colinjones@btinternet.com or petewoodacre@gmail.com.