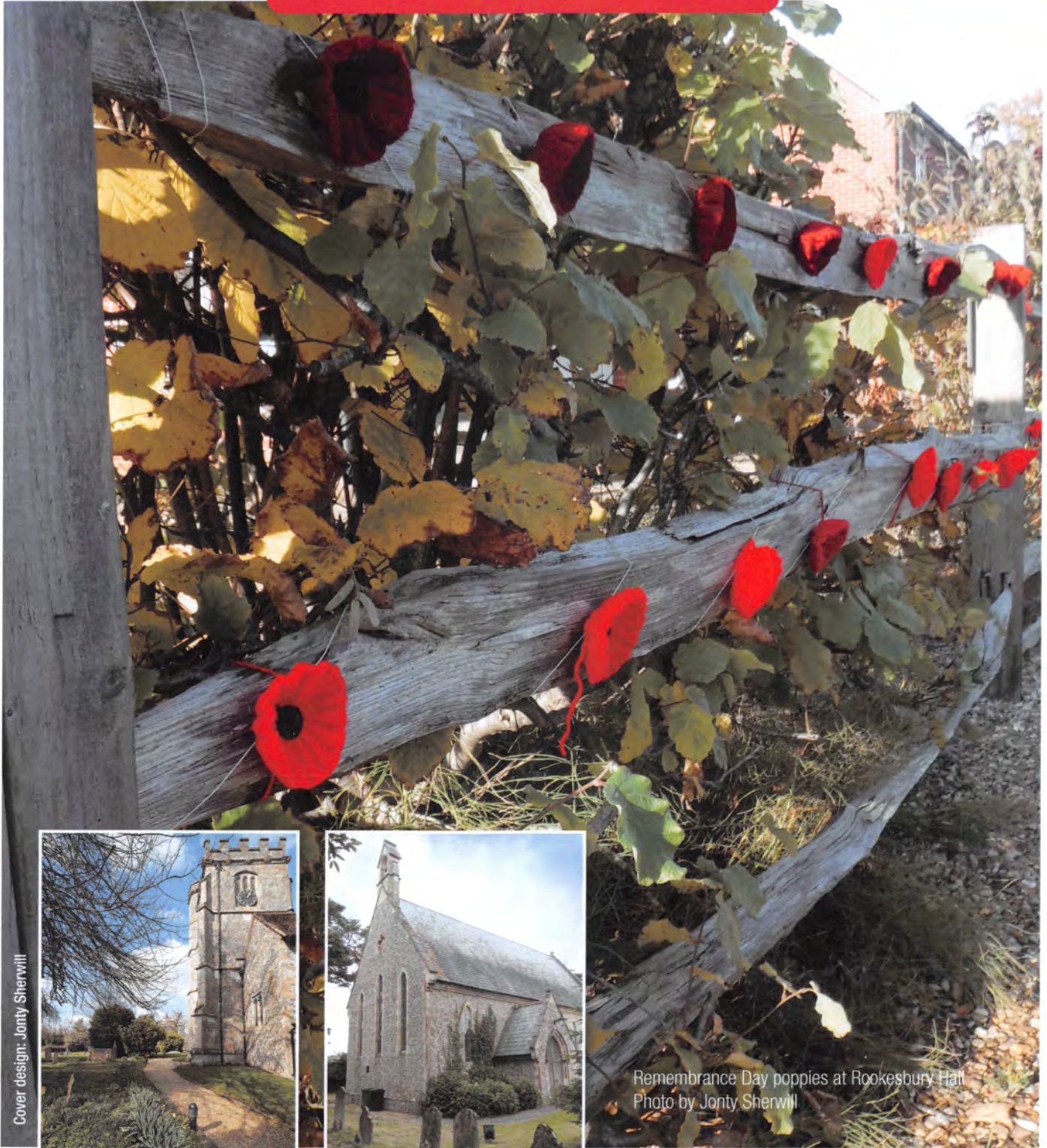


Soberton & Newtown

PARISH MAGAZINE For all the community, delivered FREE to over 700 households

December - January 2021



Cover design: Jonty Sherwill

Remembrance Day poppies at Rookesbury Hall
Photo by Jonty Sherwill

St. Peter's, Soberton and Holy Trinity, Newtown.

CHURCH SERVICES - please refer to page 4

For any enquiries, please contact either

Vicar of Soberton, Newtown and Hambledon

The Reverend David Morgan. The Vicarage, Church Lane, Hambledon. 023 9263 2921.

Email: snhvicar@gmail.com

Licensed Lay Minister (Reader)

Norman Chapman, Meadow Cottage, West Street, Soberton 01489 877378

e-mail: norman@soberton.org.uk

.....

Our Lady Queen of the Apostles, Roman Catholic Church

St. Martin's Street, Bishop's Waltham, SO32 1DN

Canon Alan Griffiths (frgriffiths@portsmouthdiocese.org.uk) 02380 273882

6.00 pm. Saturday (First Mass of Sunday)

9.30 am. Sunday

There are Sunday evening services in Winchester and in Fareham.

For further information contact Anthony McEwen 01489 877448

The Methodist Circuit. Services in the area are as follows:-

Shirrell Heath 10.30 am & 6.00 pm

Waltham Chase 10.30 am

Bishops Waltham 10.30 am

Swanmore 10.30 am & 6.00 pm

Hambledon 11.00 am & 6.00 pm

MAGAZINE PRODUCTION & COMMITTEE

Chairman: Perry Abbott 02392 632338

Editor: Gill Gray 07711 058760 gill.highcroft@btinternet.com

Advertising: Anthony McEwen 01489 877448 anthony.mcewen@btinternet.com

Small Ads: Jenny Clarke 01489 877836 caprileo88@aol.com

Circulation: Pete Woodacre 01489 877768

Treasurer: John Rowlinson 01489 877830

Secretary: Annie Jacob 01329 832480

Typesetting of advertisements and printing: Solent Design Studio

Front cover design: Jonty Sherwill - www.sherwilldesign.com - 01329 835555

Contents

Page	
4	• St Peter's Church, Soberton & Holy Trinity, Newtown
5	• Aladdin's Cave for Christmas
6	• Village News <ul style="list-style-type: none">• Ken Cattle RIP• Missing Blue Plaque – The Hurdles• Soberton Film Club• The Evans – 50 years in Soberton
7	• Guiding is still happening!
	• Planning Applications
8-9	• Soberton and Newtown Young Voices
10-11	• Local History ... The Lords of the Manor of Soberton
11	• Hallowe'en ...
12	• Winter is here (ditch maintenance)
13 - 28	• Adverts – please support our local businesses
29	• Winter support to the wildlife in your garden
30	• RBL Droxford & District Branch – 70 years ago ...
31	• Kit Auction in HMS COMUS - Korea 24th August 1950
	• Meon Valley U3A
32	• Meon Valley Baby Bank
	• Meon Valley HeartStart
33	• Meon Valley Lions
	• Update - MUSIC & FIZZ
34	• Soberton Parish Council update
35	• Winchester Councillor update
36-37	• Hampshire County Council update
38	• Meon Valley Community Bus - suspended
39	• Useful information
Back page	• Parish Christmas Card 2020

Please e-mail copy for the magazine to gill.highcroft@btinternet.com

NEXT COPY DATE - 18th JANUARY 2021



The Magazine committee would like to wish you a Happy Christmas and a safe and healthy 2021.

And, from the editor, a MASSIVE thank you to all who have contributed to the magazine in 2020!

St Peter's Church, Soberton & Holy Trinity, Newtown

Great News... Christmas is coming – and nothing Covid 19 can do will stop that!

By the time you read this we will *probably know the Government's* latest directives for the holiday season but be assured that whatever the rules we will be doing our best to ensure that St Peter's, just like Holy Trinity Newtown, will offer the community a focus for this very important feast.

At the time of writing we cannot offer a schedule of services but keep an eye on the Soberton Echo, the Parish website and that of the Parish Council. We will let everyone know what is happening as soon as we can make plans with a degree of confidence.

We have veered from Lockdown One, through Hands/Face/Space and Tier 3 (or the other way round?) into Lockdown Two. Regardless of the constrictions we have much to be grateful for. We live in a beautiful part of the country with a wonderfully supportive community. Many activities have continued in a more virtual fashion while a few new ones have started and the church remains ready to offer support when necessary.

The church has been open for private prayer on Wednesdays and Sundays but the pandemic forced the suspension of our other activities like the Lunch Club, Film Club, Stitch & Chatter and ROCS (our children's group on the first Sunday of each month). Use of the Church Room by the History Society, drawing group and lots of other meetings has also been placed in abeyance.

The illness of the Vicar has posed a challenge but we managed to hold church services in St Peter's during the summer months and they have been well supported; hopefully they have provided comfort and solace to those who have attended. It has been tough not to be able to sing or participate in the Eucharist. On the credit side there have been some very fashionable face masks to be seen!

In March the windows in St Peter's were cleaned, the first time in 35 years! What a difference it made. A lump of plaster fell from the roof onto the Chancel step in September. but Startox came to the rescue. Allan Marks at the White Lion pub cheered us all up by siting some tables and umbrellas on the Church Green and many of us enjoyed his hospitality.

Remembrance Sunday commemorations were complicated by the varying and short notice instructions which came from the Government. The plan for the Annual Service in St Peter's was abandoned but short ceremonies were held at both War Memorials; Soberton's was filmed and released by internet in time for Sunday's national commemorations.

In concluding we would like to thank the flower arrangers, cleaners and the churchyard team for their hard work over the year. The church looks sparkling and the churchyard very neat.

May we take this opportunity to wish you all a very Happy and Safe Christmas.

Churchwardens:
Louise McEwen & Norman Chapman
Barry Rowswell & Francis Wells



THIS WILL BE GOING AHEAD ON THE PROVISO THAT COVID RESTRICTIONS
IN PLACE AS AT FRIDAY 4 DECEMBER PERMIT

ALADDIN'S CAVE for CHRISTMAS

Saturday 5 December

11am to 3pm

@ West Cottage, West Street, SOBERTON (Car Barn)

~ TOYS, PUZZLES, GAMES AND BOOKS ~

~ CHRISTMAS DECORATIONS (and tree stands!) ~

~ GIFTS for all the family ~

All new or nearly new so do come along and see

- Numbers limited on site, social distancing, masks needed, etc.
 - CASH only (right change please)
 - Parking very limited and on the road
 - All proceeds to Soberton Fete.

BUT - IF RESTRICTIONS ARE STILL IN PLACE.....

PLEASE ring 01489 877578 and ask for details of what's available.

Items you may be interested in can then be left out at the gate for view at a pre-arranged time with cash payment in an "honesty box".

Many thanks



Village News

Ken Cattle RIP

27/8/27 – 20/10/20

Christina Young, niece of Ken, has asked to convey thanks from Ken's family to everyone for their kind words of sympathy and donations made to QA hospital in memory of Ken.

Ken lived in Soberton at Cherry Trees since 1961 and sadly passed away on 20/10/20, aged 93.

You may remember the lovely article Beccy Ward wrote in the June/July issue about her 'buddying' with Ken through the Soberton Community COVID-19 Neighbour Support group.

MISSING: one blue naval plaque

Does anybody know what happened to the blue HMS Mercury plaque that used to be displayed the wall of the Hurdles pub?

Tony Williams, who is renovating the house prior to moving into it from the old Droxford Station across the road, is keen to find out.

The plaque was erected in 2015 to commemorate the pub's frequent use by the HMS Mercury personnel who worked at the Navy Signals School at East Meon from 1941 to 1993.

They must have been a thirsty lot because we know that six other Hampshire pubs were similarly honoured. With no photo of the Hurdles plaque available we've pictured the one at the Rising Sun at Clanfield.



Tony says: "When I purchased The Hurdles last year the plaque had disappeared. Now that I've almost finished converting the building I would like to find it, and reinstall it in its rightful place.

So, if anyone knows of the plaque's whereabouts, please contact Tony on 01489 878271.

SOBERTON FILM CLUB

After many months of inactivity due to C19, Norman, Lyndon and Lettice are announcing that there will be no more film club evenings arranged by the current organisers. We had always planned to stop after Christmas 2020 but events overtook us.

We estimate that during the last 10 years we have offered about 60 film show evenings with dinner and 20 afternoon films with tea.

We thank most sincerely all those who have supported us and added something useful to the village social life.

Although it was never conceived as a fund raiser, I estimate that in that time we have been able to contribute about £6000 to St. Peter's either in cash or equipment bought for the church. Despite this we never had to raise the £10 charge for attendees.

We hope that in 2021 others will feel able to take over the reins and reinvigorate it with new ideas.

Lyndon Palmer

50 YEARS AGO

On 16th December 1970, Noel and Penelope Evans, together with Adrian and Roanna moved into "Norvic", Station Road. Later Alan and Melissa arrived.

We would like to thank our friends, neighbours and acquaintances, both past and present for contributing to our enjoyment of such a happy existence in this beautiful area of the Meon valley over the last half century.

Kindest regards, Noel & Penny

Guiding is still happening!

Despite two lockdowns and ever changing restrictions on how many of us can meet in person, we have continued to meet with the Brownies and Guides in Soberton & Newtown.

We have had fortnightly zoom sessions since June (continuing over the holidays) and many of the Brownies and Guides have earned Interest badges and the new Skills Builders badges to add to their sashes and blankets.

It has been a very steep learning curve for all the leaders: Can you hear me? You're on mute! Which button? Could we do ...?

Well, we have managed it and have completed many different activities: Mug cakes, Wool bowls, Games, Singing, Scavenger Hunts, Pass the Poppy, Escape rooms and Virtual Sleepovers, to name just a few.

Not everyone likes to meet online, so we keep contact via our facebook page and of course the ever faithful email. We even managed a face2face meeting during half term for both Brownies and Guides, and it was lovely to see them in person, smiling and happy to see each other, and an opportunity to give out their badges and a craft pack ready for the autumn sessions.



What have we got planned next?

Well we are hoping to have a Christmas themed face2face for both units in December – depending on Government and Guiding guidelines, and we have organised a **Winter Sleepover at Home** for our units and all those across the Meon Valley to enjoy over the Christmas holidays, which include a virtual Panto (oh no it doesn't – oh yes it does ☺). Our thanks to Cllr Patricia Stallard for her support in making this possible.

Finger crossed we will be able to resume our in-person meetings in the new year, but one thing is for sure – **Guiding will still be happening!**

With special thanks to the leaders & helpers at Soberton & Newtown Brownie & Guide Units

Grace Parker, Katie Rogers, Victoria Rogers, Mandy Cleeve and Katie Callaghan

They have all worked hard to keep the units alive and fun during this difficult year.

We wish everyone a Merry Christmas, however we are able to celebrate, and look forward to a new sparkly 2021. With best wishes,

Caroline Rogers
Unit Leader for Brownies & Guides

Planning Applications (This may not be a complete list but is based on availability at time of printing)

20/01944/FUL The Travellers Rest, Church Road, Newtown

Proposed erection of a replacement outbuilding to achieve the provision of a 2 bedroomed holiday let.

SDNP/20/03040/TPO Porch House, School Hill, Soberton

T1 Acacia (1733T1)

Reduce lowest branch over hanging road side by 3 meters.
Remove lowest branch over drive way, to clear from wires.
Reduce large branch over hanging the property by 3 meters.
Reduce remaining tree by 1 meter and clear rubbing branches from wires.

T2 Sycamore (1733T2)

Reduce in height by 3 meters.
Reduce roadside by 3 meters.
Reduce drive side by 1 meter.
Clear rubbing branches from wires.

T3 Sycamore (1733T3)

Reduce in height by 2 meters.
Reduce drive side by 2 meters.
Reduce road side branches towards Orchard House by 3 meters.
Crown raise to 5 meters.

SDNP/20/04565/HOUS Courtland, High Street, Soberton

Replace flat roof to garage and front porch with pitched roofs.

20/02207/HOU Threeways, Heath Road, Soberton Heath

Single storey and two storey front and rear extensions and detached annex in rear garden.

SDNP/20/04835/HOUS Westdown Cottage, Chalk Hill, Soberton

Two storey rear extension and new ground floor window on side elevation

SDNP/20/04774/HOUS Staddlestones, High Street, Soberton

(Retrospective) Construction of 2no. outbuildings, shed and decking.

20/021197/OUT Land adjacent to Mandalay, Forest Road, Soberton Heath

Erection of 2 detached dwellings



Soberton and Newtown Young Voices

Jokes

Who hides in the bakery at Christmas?

A mince spy!

Who delivers Christmas presents to pets?

Santa Paws!

What do you get if you eat Christmas decorations?

Tinselitis!

Virtual nativity!

Would you like to be involved in our virtual nativity story, which will be shared online on Christmas Eve? Please get in touch with us at rocsofstpeters@gmail.com.

Rocs Report

On Sunday 4th October, Rocs learned about the story of the wicked tenant with some activity packs.

On Sunday 1st October, Rocs got creative and made lanterns of remembrance to display in our homes for All Souls and Remembrance Day.

Rocs meets during the family service at St Peter's Soberton on the first Sunday of every month.

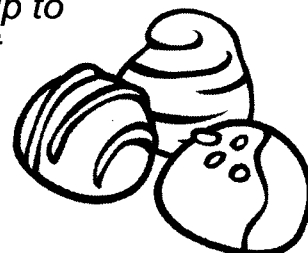
New faces are very welcome! when it is safe for us to have you.

Recipe: Chocolate truffles

An easy recipe that can be customised for a homemade Christmas gift.

1. Gently heat 150ml double cream with 25g butter in a saucepan. In a separate bowl break up 250g good quality milk or dark chocolate.
2. Pour the warm cream mixture over the chocolate and stir gently until combined. Refrigerate for 1-2 hours until set.
3. Using a teaspoon of mixture at a time, roll into small balls. You should get approximately 24.
4. Decorate! You could roll the balls in cocoa powder, icing sugar, desiccated coconut, grated white chocolate, sprinkles etc. Let your imagination run wild!

Keep in the fridge for up to 2 weeks. Best eaten at room temperature.



Did you know...

That spellings have changed throughout history? Soberton has been called Sudbertune. Subertune, Sobertona, Subberton, Supporton, Soperton and Sauberton!

Got a joke or comment to share? Email them to: luciehjones@btinternet.com.

Local History ... The Lords of the Manor of Soberton

It sounds quite fanciful and at the same time archaic. The last time the parish council checked the Lordship of the Manor of Soberton was still in the hands of the Minchin Family, they were not aware of it nor particularly interested. Possibly by now they might have sold the title. There are currently several on the market, particularly in Devon, for under £3,000.

Humphrey Minchin who came from an Angle-Irish family, bought the several Manors of Soberton containing approximately 2,000 acres about 1770. There were a number of reasons why Soberton may have been chosen by Humphrey. Foremost it is thought he knew the family of the previous owner, there were already a number of Anglo-Irish families in the Meon Valley and his son was in the Navy. Soberton also offered good sporting opportunities and his son, Paul, was a good all round sportsman.

Initially the Minchins occupied the old Soberton Manor House but by 1780 they had built a new house in Droxford parish but on property that belonged with the manor of Soberton and not far from the Holy Well. Paul's brother, Henry, was the last of the family to live at "Holywell" and it is his funeral hatchment on the wall of the Curll Chapel in St. Peter's Church.

Soberton was left without a resident Lord of the Manor, a steward was employed to see to the business of the manor and preside over the manorial courts. Gradually the estate began to be sold off. The final sale, of what was then advertised as the 'Holywell Estate', took place in 1917.

The first Lord of the Manor known by name is Richard Newport in the 15th century. Earlier history is very sketchy apart from the Domesday Book indicating that William I kept the main manor for himself and by the 13th century it was in the hands of the Abbey of Beaulieu.

Richard Newport was rewarded with a lease of two hundred years on the manors of Soberton and Flexland in 1411 by Beaulieu Abbey. The abbey was going through a troubled period and Richard gave them some kind of 'assistance'. Richard's character might have been questionable but he made Soberton his country base and increased his estate by adding another manor within the parish, the Manor of Englefield. The dynasty ended in 1521 when John Newport died without children. The Newports were almost certainly responsible for additions to the church building including the present Tower which bears their coat of arms. Two bells are

inscribed with their names and there is the tomb in the Curll Chapel.

Thomas Wriothesley, later 1st Earl of Southampton, bought the Manors in the 1540's from the Trustees of the Newports. This was soon after he had been rewarded with the property of Titchfield Abbey's for his assistance to Thomas Cromwell during the Dissolution of the Monasteries and other matters, some quite unsavoury. There is evidence that his widow and his daughter made their homes in Soberton but little connection by the direct male line. The 2nd Earl had to keep a low profile because of his catholic belief. The 3rd Earl was Shakespeare's patron and more interested in theatre and the arts than estate management and the 4th Earl was, in Samuel Pepys opinion, not known for his financial astuteness. Perhaps it also applied to his domestic affairs and that is why the Soberton properties were sold.

Walter Curll, Bishop of Winchester, purchased the estate from the 4th Earl of Southampton and it is thought his sister lived in the Manor House. The Bishop was an ardent supporter of the King and Archbishop Laud making him an enemy of the Parliamentary side. It is understood that he was besieged in his palace at (Bishops) Waltham for some time by Parliamentary troops with their horses. Local farmers were welcomed to remove the piles of horse manure and the soldiers did not suspected when a 'manure' cart sent from Soberton left laden it also contained a bishop. Bishop Curll died before Charles II was restored to the throne. It is believed he was buried at Soberton but the whereabouts of his grave were not disclosed for good reason.

Once again the Soberton Manors passed through four generations. Anna Maria, the Bishop's great granddaughter, married Thomas Lewis of the Van in Glamorgan. Anna Maria died young and childless. Memorials to her and her father, Sir Walter Curll, can be seen in the Curll Chapel in Soberton Church.

The Manors passed to Anna Maria's husband. Thomas Lewis was perhaps one of the best of Soberton's Lords of the Manor. Aside from his political duties Lewis was greatly interested in agriculture and the progress being made in farming methods. As well as improving the estate he had greatly enlarged it. The Sale Notice suggests that the farmers have very good reason "to be tenants to the late Mr. Lewis." St. Peters has the rather magnificent memorial to Thomas Lewis in the North Aisle.

George Anson, later Admiral Sir George Anson, was the next owner of the Manors. In 1739 two squadrons received orders to attack the Spanish American colonies. Anson's brief was to attack the west coast of South America and capture any Spanish treasure ships. He was delayed for want of crew and finally set sail in 1740 with six ships and with a crew of less than fit sailors. Disasters abounded as they limped around Terra del Fuego and into the Pacific, ships had been lost and he was left with about one third of the man power. The mission to attack the Spanish territory was impossible so he focussed on capturing a treasure ship which he was ultimately able to achieve.

It was in 1744 that Anson's circumnavigation of the world ended in Portsmouth with the rich treasure.

His reward most likely financed the purchase of the Manor of Soberton and helped enrich the Anson family home at Shugborough. Three years later having captured a convoy of nine French warships off Finisterre he was raised to the peerage taking the title Baron Anson of Soberton. The title stayed in the Anson Family however, when Patrick Lichfield, the photographer, was invited to open Soberton Fete in 1967 he was quite unaware of it.

As Anson's career advanced and after his subsequent marriage to the Lord Chancellor's daughter Soberton was no longer needed and that is when the Minchin Family came to purchase the Soberton Manors and the title of Lord of the Manor of Soberton.

We may have had to stay in but, at Hallowe'en, our villages placed out the pumpkins to scare away ...



*Thanks to Marion Jarrett, Carlene Leonard, Pru Bell-Davies and Naomi Ambrose for the photos
(and to Richard Bell-Davies for collating)*

WINTER IS HERE ... a polite reminder to maintain your ditches and water courses to prevent surface water flooding

Ditches and drains need to be maintained to reduce the risk of flooding and to maintain the condition of highways by keeping them clear of excess water. Poor drainage damages roads and creates hazards for road users and local residents. Good drainage will reduce maintenance and costs for all. The owner of land or property that adjoins a watercourse, such as a roadside ditch, is known as the **RIPARIAN OWNER**.

Most open ditch drainage systems are the responsibility of the riparian owner(s) but the Highway Authority has prescriptive powers to drain the highway into them. The Highway Authority has powers to clean and restore the profile of these ditches. However, the exercise of these powers does not relieve riparian owners of their duties, and they may still be charged. The Highways Authority is responsible for maintaining:

- Roadside verges
- Highway grips - (Drainage channel dug from road to ditch by the Highways Authority)
- Roadside ditches created by the Highways Authority for the sole purpose of draining the highway

Riparian owners have a duty to keep all roadside ditches clear (apart from those created and maintained by the Highways Authority for the sole purpose of draining water from the highway). This duty extends to the full width of the ditch.

Specifically, riparian owners are responsible for maintaining and keeping clear all:

- Roadside ditches taking land and road drainage
- Fieldside ditches taking land and highway drainage
- Culverts (piped ditches)
- Roadside hedges and trees

Enforcement and liability

If an owner fails to look after a watercourse it can cause the condition of the highway to deteriorate and potentially cause flooding to properties, the highway or surrounding land.

This can result in enforcement action being taken or liability in the event of an incident.

If you are a riparian owner you must

- Accept the natural flow of water across your land from an upstream neighbour and transfer this, together with drainage from your property or land, downstream
- Accept water ponding on your land even if it's caused by inadequate capacity downstream as there is no common law duty to improve a watercourse downstream
- Carry out any necessary maintenance of the watercourse at your own expense to the satisfaction of the local Land Drainage Body
- Seek Ordinary Watercourse Flood Defence Consent from Winchester City Council for erecting or altering any culvert, mill, dam, weir or other like obstruction in a watercourse

Do you own land that has a watercourse or drainage ditch on or adjacent to it?

Answer: Yes – You are therefore a **'riparian landowner'** and you are responsible for maintaining those watercourses

What is a watercourse?
Watercourses are any natural or artificial channel above or below ground through which water flows. Watercourses are classified as either 'Ordinary Watercourse' or 'Main River'.

Ordinary Watercourses are watercourses that are not part of a main river and include streams, ditches, drains, cuts, culverts, dykes, sluices, sewers (other than public sewers) and passages, through which water flows.

Main Rivers are typically larger streams and rivers, but some are smaller watercourses of local significance.

What can land and properties owners do to reduce the risk of flooding?

- ❖ Identify your ordinary watercourses/ditches/piped watercourses – check deeds if required
- ❖ Check whether they are clear from debris and vegetation and if not clear them

As a landowner you have a right to protect your property from flooding – consider how you might do this and prepare a plan.

More information:
www.hants.gov.uk/watercourses
National Flood Forum provides information on preparing for a flood:
www.nationalfloodforum.org.uk/at-risk-of-flooding-2/

Hampshire County Council www.hants.gov.uk

- Maintain the banks and bed of the watercourse or of the piped sections to avoid any obstruction to the flow of water. This includes trees, shrubs and litter, even if not deposited by you

Where a watercourse is sited between two or more properties, each owner is equally responsible.

Disposal of waste

Any waste removed from ditches should be disposed of in accordance with the Environmental Protection Act. Cuttings from any clearance work should be removed and kept clear of the watercourse or disposed of to avoid re-entry which might cause blockages downstream. Similarly, ensure that any disturbed debris does not end up flowing downstream and causing problems for other landowners.

Surface water flooding

Surface water flooding (also known as pluvial) occurs when rainfall cannot drain away through drainage systems or the land, and flows over land instead. It can occur when ground is saturated.

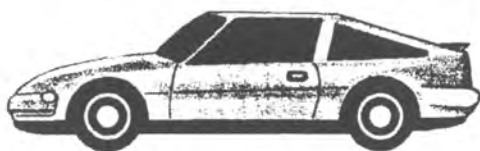
Report to the Lead Local Flood Authority

Watch a short video explaining your **RIPARIAN** responsibilities via the below link

<https://www.youtube.com/watch?v=an4KpfaRwBg&feature=youtu.be>

Andrews Autosource

Where Good Cars Cost Less



We specialise in Low Mileage, Service History Cars at Reasonable Prices

Find-a-car service

Free advice on selling your current car,
Nice cars bought for cash

For an up to date stock list, please visit
www.andrews-autosource.co.uk

Or call at:

The Forge Garage Droxford
Telephone 01489 878 879

WELLER PATRICK

SOBERTON AND MEON VALLEY PROPERTY EXPERTS

Experienced local team with
detailed knowledge of the area.

01489 893555

www.wellerpatrick.com
info@wellerpatrick.co.uk

BOWMAN ALES LTD

TRY OUR AWARD WINNING ALES



Our beers are
available in
bottles,
bags-in-boxes or
casks, all direct
from the brewery



01489 878 110
info@bowman-ales.com www.bowman-ales.com

HURRICANE FARM



Breeders of rare breed poultry
Hatching Eggs, Chicks, POL Hens
Breeders of Pigs Glos old spots
Tamworths and Kune Kune

01489 878218

LOCAL FARRIER

(Soberton Based)

David Povey Dip WCF

For:
Hot & Cold Shoeing
Remedial Shoeing

Established 1985
01489 878218





Experienced Local Window Cleaners
 Contact: David Maycock
 david@dmaycock.co.uk
 www.dmwindowcleaning.com
 Tel: 01489 891025 - 07815 698140



THE MOWER CLINIC

Repair and Service Facility for all types of:
 WALK-MOWERS • CHAIN-SAWS • STRIMMERS
 HEDGE-TRIMMERS • SHREDDERS • BLO-VACS etc.

.....
 New Service - at your home (minimum of 3 items)
 Sharpening of all garden hand tools including
 SECATEURS • SHEARS • LOPPERS etc.

.....
 Telephone: WICKHAM (01329) 833502



Whether you're thinking of moving or just need to know what's happening to the value of your home, call us for a market appraisal, absolutely free and without any obligation whatsoever.



ESTATE & LETTING AGENTS

Ben Runciman · Rona Thurston

The Square, Wickham, Hampshire PO17 5JT · Telephone: 01329 834579

Email: info@byrnerunciman.co.uk - www.byrnerunciman.co.uk

G. RIXON LTD.

ELECTRICAL PLUMBING AND HEATING ENGINEERS



01329 834600

www.g-rixon-ltd.co.uk

enquiries@g-rixon-ltd.co.uk

WE ALSO INSTALL, REPAIR AND SERVICE
 OIL, LPG AND NATURAL GAS BOILERS

G. RIXON LTD. Wynot Heath Road Soberton Hampshire SO32 3PG

To advertise please contact:

Anthony McEwen
 anthony.mcewen@btinternet.com
 01489 877448

R & G GAMBLIN

Extension Alteration Renovation
 Planning work

Bricklaying.	Digger Hire.
Civil Engineering.	Drainage.
UPVC Windows & Doors.	Fencing.
Plastic Fascia & Soffit.	Plastering.
Concrete.	Driveways.
Loft Conversion.	Plumbing.
Roofing Pitch & Flat.	Garages.
Painting.	Carpentry.
Conservatories.	Electrics.

For Free Estimates please phone
 Rob 01489 - 891801

M & S LOCKE & SON LTD

PLASTERING & CERAMIC TILING CONTRACTORS

Specialising in:

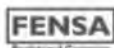
- All aspects of plastering
- All aspects of wall & floor tiling
- Interior stone flooring
- Exterior stone patios
- Full bathroom refurbishments

Family run business with over 30 years experience, we offer a reliable, friendly quality service.

For a free quotation/advice please call Dean on
Mobile: 07712 894119/Home: 01489 877199



**The all-round
glazing specialists**



Call 01730 233264

- Free no obligation quotation and no call out charge
- UPVC windows, doors and composite doors
- bi-fold and patio doors
- mirrors, showers screens, splash-backs, balustrades
- replacement of misted double glazed units
- traditional putty glazing and bespoke glazing
- single glazing, safety glass

sales@leydeneglassandglazing.co.uk

Member of
Checkatrade.com

www.leydeneglassandglazing.co.uk

Unit 2 Amey Industrial Estate, Petersfield, GU32 3AN



OLIVERS

PAINTERS & DECORATORS

Since 1992

Domestic & Commercial

External & Internal Decorating

We Pride Ourselves on Quality

02392 787967

Or

07889488010

info@oliverspainting.co.uk

D.J. SCOTT GARDEN MACHINERY

SALES & REPAIRS

Wheely Down Garages
Warnford, Nr. Southampton
Hampshire SO32 3LG

www.dj-scott.com

Telephone/Fax: 01730 829207



HORTON BARNs

TIMBER AND OAK FRAMED
HOUSES AND BUILDINGS OF
DISTINCTION

BESPOKE OAK FRAME GARAGES
AND BARNs

TRADITIONAL TIMBER FRAME
HOUSES MADE TO THE
HIGHEST QUALITY

CONTACT OUR SALES TEAM TO
DISCUSS YOUR PROJECT

01489 899033

info@hortonbarns.co.uk

www.hortonbarns.co.uk



TJ

CHIMNEY SWEEPS

TEL: 02392 002872

MOB: 07950 145494

COMPETENT, CLEAN & RELIABLE

WWW.TJCHIMNEYSWEEPS.CO.UK

FULLY INSURED & REGISTERED WITH THE INSTITUTE OF
CHIMNEY SWEEPS.

SEE US ON CHECKATRADE.COM

**FOOD
SERVED:**

**MON-FRI
6PM-9PM**

**SAT & SUN
12PM-8PM**

**TEL:
01329 830097**



THE TRAVELLERS REST

An 18th Century Character Country Pub in
the Rural Village of Newtown.

"Great place, great people, great food!"
01329 830097



REAL ALES • HOME COOKED FOOD • BEER GARDEN
CAMPSITE • PLAY AREA • INDOOR WELL • LIVE MUSIC

THE TRAVELLERS REST • CHURCH ROAD, NEWTOWN
FAREHAM, HAMPSHIRE PO17 6LL

**OPENING
TIMES:**

**MON-FRI
4PM TIL
LATE**

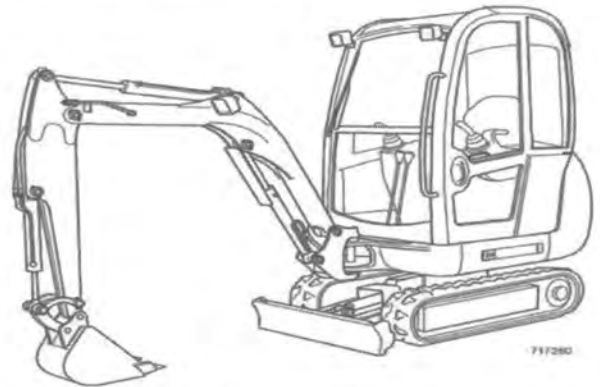
**SAT & SUN
12PM TIL
LATE**

KS Groundworks

Local General Builders & Ground
Maintenance, Hardscaping, Drives,
Slabs, etc.

Over 30 years experience.

Tel: 07801 141517



**Ben Tibbetts
Electrical Ltd**

Contact Details

**City &
Guilds**

- 01489 278792
- 07828 403185
- bte.enquiries@gmail.com

Your local electrician
No job too small
All work fully certified



LOCAL BARRISTERS

AVAILABLE DIRECT TO THE PUBLIC

**Disputes, Contract and
Business Advice**
Wills and Powers of Attorney
Litigation

First 20 minute consultation free

HD

HACKETT & DABBS

info@hackettdabbs.co.uk

Telephone: 023 93 878797

www.hackettdabbs.co.uk

Part P Full Scope
Electrician

Derek Pilcher JIB Approved

*Domestic • Commercial • Industrial
Agricultural • Rewires • Extra Sockets • Lights
Showers • Cookers • Fuseboards
Security Lights etc*

**Testing and Certification
Emergency Call-Out available**

Tel: 02380 602 627 Mob: 07766 418 039
Email: derekpilcher36@yahoo.co.uk



WICKHAM CAR SERVICING

MILL LANE, WICKHAM, FAREHAM
PO17 5HY
01329 832552

- Local Collection & Delivery Service
- All Makes & Models serviced
- Tyres, Brakes, Batteries, Exhausts.
- Air Conditioning Service & Repairs
- Engine & Gearbox repairs
- DPF & Fuel System Cleaning
- Mobile Servicing & Repairs
- Light Vehicle Recovery
- Courtesy Vans & Cars
- Trackers & Dash Cams fitted
- Class 4 & 7 Mots
- Welding & General repairs



All aspects of Carpentry & Building work undertaken

- Extensions • Alterations • Refurbishments
- New Builds • Landscaping

Tel: 02392 632037 Mob: 07885 283036



jay.tucker16@yahoo.co.uk
Fully qualified and insured

Checkatrade.com
Where reputation matters

**Leading the way in providing an
AFFORDABLE PROFESSIONAL service**

WESTMINSTER LAW

Wills, Probate & Estate Planning



If you are over 65 it will only cost you £75*
to make or update your Will.

We are also Lasting Power of Attorney
Specialists - only £85* each LPA if instructed
during the Will appointment.

Our prices include home visits and Inheritance Tax advice.

Call us now for a no obligation chat on: 02392 706980

www.westminster-law.co.uk

email: info@westminster-law.co.uk

Westminster Law Ltd, Grassmere Way, Waterlooville PO7 8QD

*ALL OUR PRICES INCLUDE VAT. These very special rates are only available if you are aged over 65. Our normal low price for a standard single Will is £125, or £195 for a couple.

FOR ALL YOUR DRY CLEANING AND LAUNDRY NEEDS

Duvets Laundered
Curtain Cleaning & Alterations
Tailor Repairs & Alterations
Wedding Dresses Cleaned & Boxed
Specialist Rug Cleaning Service



Professional Dry Cleaning Service

Laundry Service
Carpet Cleaning Machine Hire
Waxed Garments Cleaned & Re-Waxed
Pillows Cleaned & Recovered
Suede & Leather Cleaning

4 Merlin Mews, Bishop's Waltham. Tel: 01489 894421 • Agents: Pages of Wickham & Meonstoke Post Office

www.peterabryant.co.uk



STIHL®

Husqvarna HONDA

EST 1921 Carters of Swanwick

VISIT STORE or BUY ONLINE ♦ REPAIRS ♦ SERVICE ♦ PART-EX ♦ HIRE

LARGE GARDEN MACHINERY SHOWROOM

Lawnmowers & Ride-Ons
Hedge & Brush Cutters
Leaf & Litter Blow-vacs

Chainsaws & Safety Clothing
Rotavators & Shredders
Log Splitters & Chippers
Snow Sweepers
Used Machines Available

Mail Order Spare Parts

www.cartersofswanwick.co.uk | www.bestbuymowers.co.uk

Call Direct On: 01489 575242



Duncan Road, Swanwick, Southampton, SO31 1BD. (Opposite Swanwick Railway Station. Follow the signs to the station from Park Gate.)



Victoria Road
Bishop's Waltham
Hants. SO32 1DJ
Tel: 01489 896734

SURGERY HOURS (by appointment)

Monday-Friday	9.00am-12noon
Monday-Friday	4.00pm-7.30pm
Saturday	9.00am-12noon

Open for routine enquiries between
8.00am and 7.30pm Monday to Friday
& 8.00am and 12 noon Saturday

24 hour emergency cover provided by Vets Now
www.shieldveterinarycentre.co.uk



- Design
- Artwork
- Stationery
- Leaflets
- Flyers
- Brochures
- Booklets
- Newsletters
- Labels
- Postcards
- Folders
- Posters
- Banners
- Vinyl
- Exhibition Displays



Tel: 01489 892344 • Email: sales@solentdesignstudio.com
www.solentdesignstudio.com

LBH LANDSCAPE & GROUND WORKS Ltd

Free Estimates - Quality Work - Competitive Prices

**Brick Laying • Block Paving • Patios
Concreting • Drainage • Extensions
Garages • Decking • Fencing • Turfing**

All other aspects of Hard and Soft Landscaping
and Maintenance

KEVIN HALL 07808 496004

Tel: 01329 832169 Email: lbhkevin@tiscali.co.uk
www.lbhlandscapesandgroundworks.co.uk

City & Guilds
NPTC

Cynthia Tester

Blinds and Curtain Track Experts

Vertical • Venetian • Roller • Pleated • Awnings
Canopies • Plantation Shutters • Conservatory Blinds
Silent Gliss • Velux • Keylite • Luxaflex

Custom made blinds & curtains
Full fitting service • Curtain tracks
Poles • Electric • Bay specialist
Upholstery • Traditional • Antique • Modern
Domestic & commercial contracts undertaken



Please contact us for advice & no obligation quotation
Tel: 01329 833784 Email: jo@creative-needlecraft.co.uk

MJM PLUMBING & HEATING

Wickham based company
with over 30 years experience

Installation, servicing and repairs for oil fired
boilers. Installation of new oil tanks.

Installation, servicing and repairs for all natural
gas appliances, domestic and commercial.

Installation, servicing and repairs of all LPG
appliances, domestic and commercial,
mobile homes and boats.

Installation and maintenance of heating systems.

Central heating systems power flushed.

Unvented hot water systems installed,
serviced and repaired.



OFTEC Reg 14371 Gassafe Reg 529990



Complete bathroom installations,
including wall & floor tiling.

All general plumbing work, installation and
maintenance.

All work guaranteed for 12 months.

Telephone 01329 507712 / 07773 385946

email: info@mjmplumbing.co.uk

www.mjmplumbing.co.uk

Logs, Logs

Hardwood logs delivered for
log burners or open fires.

Contact: John Newbury

07940 357 839

Woodlea Nurseries Seasoned
Hardwood, Durley

GAMBLIN CARS

PRIVATE HIRE

TAXI

FOR ALL YOUR TAXI REQUIREMENTS

TEL: 01489 89-33-33

AIRPORT SERVICES TO HEATHROW AND GATWICK

LOCAL & LONG DISTANCE

4-6 SEATER



Carpet Fayre Ltd



HARVEY
MARIAL
FLOORING

ABINGDON
FLOORING

alternative
flooring

Uniquely
ambico



Karndean
Designflooring

QUICK STEP

RHINOFLOOR

WESTEX

Checkatrade.com
Trustworthy
Recommended
Member

www.locksheathcarpets.co.uk

Call us on: 01489 532530

Home Selection Service Available

30
YEARS
Experience

SYCAMORE TREE SURGEONS

All aspects of tree work

Pruning Surgery Felling Hedgecutting

Tree Stump Removal and Site Clearance

Approved contractors for local authorities

FULLY INSURED

023 9223 0146

Mob: 07889 704449 David Farrington

30 YEARS EXPERIENCE

D.G. CLEEVE GENERAL BUILDER

- EXTENSIONS • ALTERATIONS • REPAIR & MAINTENANCE •
- DECORATING • PLUMBING •

NO JOB TOO SMALL

FOR ADVICE OR ESTIMATE

TELEPHONE (01329) 833677

MOBILE 07919 100074

Moore Electrical Services

A complete and reliable service including:
Installation of new circuits and repairs
Fuse board upgrades
Fault finding
inspection and testing
Landlords reports

Part P registered with the NICEIC



Proud members of
Checkatrade.com
Where reputation matters

01489 786419

07971 405014



info@mooreelectricalservices.co.uk

CARPET & UPHOLSTERY CLEANING HIGH QUALITY & AFFORDABLE

- Independent Family Run & Owned Business - 16 years
- Carpets, Leather, Rug & Curtain Cleaning
- Approved by Trading Standards
- Honest & Competitive Pricing
- Rapid Drying Times
- Discounts for Whole Houses

We endeavour to
Price Match any
genuine quote...

1 - Room - £65.00

2 - Rooms - £80.00

(additional rooms discounted)

**20% OFF our regular price
on all UPHOLSTERY**

Call us today on:

T: 023 8055 5810

M: 07436 266078

www.elliottcarpetcare.co.uk



Award-winning self-catering holiday cottages

- Eight cottages with 2, 3 or 4 en-suite bedrooms and excellent accessibility
- Underfloor heating, wood burners and free WiFi
- Indoor heated pool available from June 2018, games room to follow
- Contemporary, open plan layout with extending dining table seating 12
- Individual enclosed gardens with hot tubs and stunning views, safe for both children and pets
- Ideal for family gatherings, groups, wedding guest accommodation or corporate visitors

www.wallopswoodcottages.co.uk

T: 01489 878888

E: liz@wallopswoodcottages.co.uk

Wallops Wood, Sheardley Lane, Droxford, Hampshire, SO32 3QY



Nigel Chamberlain & Partners

Independent Family

FUNERAL DIRECTORS

serving Swanmore and Newtown since 1892

The Gate House, Victoria Road

BISHOPS WALTHAM

(01489) 892640

Bob Metcalf MBE

Personal 24 Hour Service

www.chamberlainfunerals.co.uk



Part of **Richard Steel & Partners**
The Family Owned Funeral Directors
Serving Hampshire since 1860

LOGS & KINDLING



Telephone: 07956 049462
01329 833350

The Grooming Room Professional Dog Grooming



City & Guilds Qualified with distinction, over 10 years experience

Services Include:

Clipping • Scissoring • Hand Stripping • Wash & Groom • Nail Clipping

Based in Soberton Heath

Tel: 01329 835332 / 07909 575417

www.k9-4pawsandthegroomingroom.co.uk

Your local, independent and family owned
funeral homes of Denmead,
Wickham and Clanfield

South Downs
Funeral Service



24 hour, local and personal service

- Floristry service • Stonemasonry service
- No deposits required

Managing and Principle Funeral Director:
Mr Paul M Lee-Bapty DIP FD AFFIL RSH

Wickham Funeral Home
Tel: 01329 833920

13 The Square, Wickham PO17 5JG

Denmead Funeral Home
Tel: 02392 231567

The Old Post Office, Hambledon Road PO7 6NN

Clanfield Funeral Home
Tel: 02392 570239

43 Drift Road, PO0 8JS

www.southdownfuneralservice.com



Golden Charter
Funeral Plans



GS PEST CONTROL & GARDEN SERVICES

Fast effective pest control

Rabbits, Moles, Wasps, Rats, Bees, Mice

Fleas, Hornets, Moths, Flies, Squirrels,

Woodworm, Bedbugs, Foxes, Etc.

Bee specialist humane bee removals

Other services

Pest Prevention, Logs, Tree work, Garden Clearance

07453965542 george@gsp PestControl.net

CHAMBERLAINS

Family Solicitors – Home Visits willingly undertaken

Fast, Efficient, Personal Service by the Partners
Colin Chamberlain and Henry Mundy

We can help you with a wide range of legal
services including conveyancing,

Probate and Wills

Free Initial Office Interview

RED LION STREET (OFF HIGH STREET), BISHOPS WALTHAM

TEL: 01489 896141

info@chamberlainslaw.co.uk

Harpers Since 1885

The Aga & Central Heating Company

Oil & Gas Aga servicing, repairs and installations.

Oil & Gas boiler servicing, repairs and installations.

We also provide other services such as...

- Oil tank replacement, installation and relocations.
- LPG, natural Gas & Oil work.
- Chimney installations.
- Wood burning stoves.
- Trenchless watermains.
- Mains pressure hot water.
- Fuel tank spillage clearance.

Landlord safety
certificates.

Free quotes and
professional
advice.

Fully qualified
engineers.

Tel: (023) 92 388 300

Based in South Boarhunt

www.harpers-services.co.uk





SAFER CHIMNEYS

Member of National Association of Chimney Sweeps
NACS Certificates Issued.

"Highly Recommended" Local Chimney Sweep

Power Sweeping, Traditional Brushes,
Chimney Camera Surveys
Stoves, Open fires, Range Cookers

Less waiting time – 2 qualified sweeps

023 9247 6458 or 07733 343530

or 07847 466281

david@saferchimneys.co.uk

Proud members of

Checkatrade.com
Where reputation matters

www.saferchimneys.co.uk



Easy Clean Services

Contact Us Now!

Tel: 01489 896 903

info@easycleanservices.co.uk

CESSPIT / SEPTIC TANK EMPTYING

TANK EMPTYING

- Cesspits
- Septic Tanks
- Interceptors
- Grease Traps
- Treatment plants
- Pump Stations



SERVICING

- All Treatment Plants
- Pump Sets
- Pumping Stations
- Water Pumps

INSTALLATIONS

- Soakaways / Drainage Fields
- Drain Runs
- New Plant & Tank Conversions
- Percolation Tests
(Foul, Storm & Rainwater)

PUMP SHOP

- Air Blowers - All Makes
- Submersible pumps
- Spares and accessories

DRAINAGE SERVICES

- Root Cutting
- CCTV Surveys
- Blocked Drains
(Jetting/Rodding)

www.easycleanservices.co.uk



ICAEW
CHARTERED
ACCOUNTANTS

Chartered Accountants
& Registered Auditors

LOCAL INDEPENDENT ACCOUNTANTS AND
TAXATION ADVISORS

FREE INITIAL CONSULTATION

Full range of accountancy, auditing and taxation services

Business start up advice

Book-keeping and Payroll Services

Self-Assessment Returns

Detailed Fixed Cost Quotes

Visits to your Premises

Avalon House, Waltham Business Park,
Brickyard Road, Swanmore, Southampton,
SO32 2SA

Tel: 01489 896996 Fax: 01489 895255

Email: enquiries@butlerco-bw.co.uk

Website: www.butlerco-bw.co.uk



A BEAUTIFUL YOGA STUDIO IN WICKHAM

Providing authentic Yoga classes in a beautiful
& tranquil environment. Daytime & evening classes
available with ample free parking.

Visit birchtreeyoga.co.uk or call Karen on 01329 834511

Inkjet Printer Cartridges

EPSON®  HEWLETT
PACKARD  Canon etc.



**Save Pounds on Compatible
and Original Printer
Cartridges Today**

Excellent Price Free Delivery

Email Sales@inkking.co.uk Tel: 01489 877818

www.inkking.co.uk

DROXFORD ANTIQUES @ THE OLD BAKERY

High Street, Droxford

01489 878800

Established for over 40 years.

Still buying and selling antiques of all descriptions, valuations and probate service.

We repair, restore and polish in our own workshops.

CURTAIN MAKING & ALTERATIONS

Stockists of Kate Forman, Vanessa Arbuthnott, Ada & Ina

We offer a full service from measuring to making beautiful hand sewn curtains, blinds and pelmets especially for you.

Please telephone Mark or Mary for free, professional and confidential help and advice.



THE JOINERS SHOP

Period Joinery of Every Description

Conservation Approved
Double Glazed
Box Sash Windows

(Genuine) Handmade Kitchens

Tel: 02392 814780
www.thejoinershop.co.uk



Associate Member of the Hampshire
Buildings Preservation Trust Ltd

Associated Trades



ARCHITECTURAL DRAWING SERVICE

"Architectural Drawings
& Services"

info@gossandpartners.co.uk

www.gossandpartners.co.uk

Some of our services:

Consultation
Floorplans & Elevations
Site Plans
3D Modeling
Planning Applications

What we offer:

Using CAD software
we can produce scale
drawings for any design
specification or create
designs based on a
criteria.

**GOSS
& PARTNERS**

WHITE ROSE PLUMBING Russell Beaumont

Free quotation
No call out charge
No job too small
Family run local business
24 hour emergency service

Tel: **01489 893419** Mobile: **07843 586366**
Email: whiteroseplumb@googlemail.com

F A R E H A M Creek V E T S

32 East Street, Fareham PO16 0BY
www.farehamcreekvets.co.uk
Tel: 01329 280412

Local, independent small animal practice
Friendly, dedicated care for you and your pet
See the same vet at each visit
Close to Fareham town centre • Parking on site
24 Hours Emergency Service

Oliver Chimney Sweep



Experienced member of the Guild of Master Sweeps.
Insurance approved certificates issued with every sweep.
Professional, clean brush and vac system.

02392 787967

Email:

info@oliver-chimney-sweeps.co.uk



CRAMER BESPOKE

CABINETRY | KITCHENS | FURNITURE

T: 02392 632222 M: 07805 040464

josh@cramerbespoke.com

Why not read our glowing reviews from some of the Meon Valley's most fabulous residents?

www.cramerbespoke.com

Natural Stone & Timber

THE SOUTH'S
LARGEST NATURAL
STONE SUPPLIER

READER DISCOUNT

Bring me in to receive a 5% discount. Please ask for details. Valid until 31st Nov. 2020

The finest quality interior and exterior products at exceptionally low prices

TILES & ACCESSORIES

WOODEN WORKTOPS

BASINS & SINKS

FIREPLACE HEARTHES

ENGINEERED WOOD FLOORING

PAVING, SLEEPERS & BLOCK PAVING

AGGREGATES

ARTIFICIAL GRASS & ACCESSORIES

STEPS & COPINGS



Visit us in store or shop on-line

Natural Stone & Timber
Voyager Park North
Portfield Road
Portsmouth
Hampshire
PO3 5FX

023 9265 2923

naturalstoneandtimber.co.uk

WE'RE ON YOUR DOORSTEP

Having a local office means we're accessible, whether you need to make changes to your policy, make a claim or need financial advice.

We can help you with:

- Home Insurance
- Business Insurance
- Retirement Planning
- Car Insurance
- Commercial Vehicle Insurance
- Protection

NFU Mutual Financial Advisers advise on NFU Mutual products and selected products from specialist providers. We'll explain the services we offer and the charges. Financial advice is provided by NFU Mutual Select Investments Ltd.

For a real conversation about your insurance

Give us a call or pop in

NFU Mutual Winchester and Wickham, 3-5 Albany Business Centre,
Wickham Road, Fareham, Hampshire, PO17 5BD
01962 881 888



NFU Mutual
INSURANCE | PENSIONS | INVESTMENTS

Our Agents are appointed representatives of The National Farmers Union Mutual Insurance Society Limited (No. 11968), Registered in England, Registered Office: Tiddington Road, Stratford upon Avon, Warwickshire, CV37 7BL. Authorised by the Prudential Regulation Authority and regulated by the Financial Conduct Authority and the Prudential Regulation Authority. A member of the Association of British Insurers. 01/2020

RJS Fencing Contractors

Agricultural Fencing	Equestrian Fencing	Domestic Fencing
• Stock Fence	• Electric Fencing	• Closeboard
• Deer Fence	• Equifence	• Panel Fencing
• Post & Rail	• Post & Rail	• Trellis
• Stake & Rail	• Stake & Rail	• Picket Fencing
• Permanent	• Permanent	• Dog Proof Fencing
• Electric Fencing	• Electric Fencing	• Post & Rail

Call Richard on 07930 229649



The Village Cattery – Soberton

*Superior holiday accommodation
for your feline friend*

Viewing welcome by appointment

Tel: 01489 877768

1 Glencoe Cottages, Long Road, Soberton, Hants SO32 3PG
www.villagecattery.co.uk

The best printers for miles - now only 1.7 miles from Soberton!

STUDIO 6 DESIGN & PRINT

Now offering high quality colour print at lower prices
Professional graphic design • Posters & building plans printed
Scanning service • Documents copied, printed & wire bound

Good, friendly service guaranteed!

www.studio-6.co.uk • print@studio-6.co.uk

Telephone: 01329 832933

Wallops Wood Farm, Sheardley Lane, Droxford SO32 3QY



Wasps, Fleas, Flies, Rats, Mice & Moles

Call Matthew

Tel: 01329 832159 Mobile: 07962 872063

BPCA Qualified

Insured

EXPERT TAX ADVICE WITH A HUMAN FACE FOR THE MEON VALLEY

WATCHING OUT FOR THE NEXT GENERATION

Is IHT a factor in making my Will? Is a Family Trust a good idea?

PROPERTY OR WORK OVERSEAS

How does it affect my tax if I live, work or have property abroad?

FOR ENTREPRENEURS

Am I the only one wondering whether it's worth all the aggro?

PERSONAL TAX

What is the best way to order my tax affairs, in full compliance with the law?

SELLING MY BUSINESS

How much tax will I pay? What is my business worth?

Nicholas Ridge ^{CTA}
TAX EXPERTISE

Oakleaf, Ludwells Lane, Waltham Chase, Southampton, SO32 2NP

t: 01489 899102 e: nicholas@nicholasridgecta.co.uk

www.nicholasridgecta.co.uk

Computer Problems Solved

A qualified & experienced Computer Engineer who can efficiently solve your home and business computer needs.



For a friendly, no obligation quote call:

Chris Guénier: 01489 890738 or 07962 641796



http://www.cps-ltd.org.uk

info@computerproblemsolvedltd.co.uk

MARK & JUNE MASON

Husband and wife high quality painters and decorators. Period to modern properties, one room to a whole building. We work around your requirements.

www.masonspaint.co.uk

Dulux Select Decorators

Phone 01329 235847

Mobile 07973 162397

52 The Causeway, Fareham PO16 8RW

Ray Chandler

STATION GARAGE FAREHAM LTD

SERVICING, MECHANICAL & BODY REPAIRS,
WELDING, M.O.T. TESTING,
BREAKDOWN SERVICE

Tel: **01329 238451**

www.stationgaragefareham.co.uk

Unit 1, The Avenue, Fareham, Hants PO14 1NP

StorAway

Your local choice for storage



Secure Storage for Classic Cars,
Archived Documents and Personal Property.
Long or short term storage options available.

For ALL your storage needs
Contact StorAway on **01489 877988**
or www.storaway.co.uk

FREE RANGE EGGS



Available from:

The Old Buttery, High Street, Soberton.

Contact: Carol or Barry Tel: **01489 877389**

Email: barry.lawrence58@gmail.com

To advertise please contact:

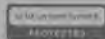
Anthony McEwen

anthony.mcewen@btinternet.com

01489 877448



Selling, Letting & Managing properties
in the parish of Soberton



02392 632 275



countryhousecompany.co.uk

A WARM WELCOME AWAITS
from Allan, Vicky and their team at

The White Lion

School Hill, Soberton

Beer Garden, Functions,
Home Cooking and Local Beers

now offering

BED & BREAKFAST

Recently created 4 double rooms each
beautifully appointed with en suite.

Luxury accommodation on
your doorstep!

Telephone: 01489 877346

info@thewhitelionsoberton.co.uk

www.thewhitelionsoberton.com



Specialist in all types of mowers and garden machinery

- Service and repairs on site
- Collection & delivery
- Competitive rates
- Rotary blades & hedge cutter sharpening on site
- Over 10 years experience

Call James on 077 83 93 72 12 or 01489 878085 • jimmeonvalleymowers@gmail.com

Mrs G's Pilates



- Enhanced core strength
- Improved flexibility
- Greater postural control

Rooksbury Hall Tuesday
9:15-10:15, or
1:1 & smaller groups.

Contact Charlotte Graetz: 07776221077
01329 835717 or charlottegraetz@yahoo.com

Pat Staples Interiors

INTERIOR DESIGN, FURNITURE & FURNISHINGS
Unit 3, Claylands Road, Bishop's Waltham SO32 1BH
Tel No: 01489 892626
E-mail: sales@patstaplesinteriors.co.uk

Trading locally since 1993



- Interior Design
- Measuring & Fitting Service
- Curtains & Blinds
- Carpets & Floorcovering
- Upholstery & Re-upholstery
- Wallpaper & Paint

www.patstaplesinteriors.co.uk

HAMBLEDON CARS

PRIVATE TAXI SERVICE

Superior Air Conditioned Cars
8 Seater Minibus
Airports, Stations & Cruise Transfers
Theatre, Shopping, Business
& Local Travel

Steve & Tracey Eames

M: 07766 027 301

W: 02392 632 375

hambledon-cars@hotmail.co.uk
www.hambledoncars.co.uk

West Street Hambledon Hampshire

Mushroom Catering

**Bringing Masterchef
to the Meon Valley**

Masterchef contestant Gill Holland provides bespoke menus that give your special occasion the wow factor! Traditional British fare, a Thai feast or a Mediterranean mezze, canapés at a drinks party to full wedding packages. Whatever your event give Gill a call on the contact details below:

www.mushroom-club.co.uk
**West Down Cottage, Chalk Hill,
Soberton, SO32 3PH**
07879 696495, 01489 876741



J. Gordon

Forestry & Arboriculture Ltd

- Crown Reduction/Re-shaping • Thinning/Dead Wooding • Skilled Tree Removal • Hedges
- Plantation Maintenance • Tree Planting • Fencing • Woodland Management • Stump Grinding

Professional Qualifications • Insured in all aspects of forestry and tree surgery

For a personal and caring service contact Joe Gordon

24 HOUR EMERGENCY CALL-OUT • FREE QUOTATIONS

Hambledon 023 9263 2418 Mobile 07712 808 081 www.treedocjoe.co.uk



Taylor's Garage
Droxford
Hampshire SO32 3QL



Tel: 01489 877433

CAR and MOTORCYCLE MOTs

Service and repair to cars
light commercials and horse trailers

Air conditioning - service & repair

Competitive prices on
tyres batteries and exhausts

Collection & delivery or loan car available
subject to availability

BUY WITH CONFIDENCE
Trading Standards Approved Trader

Cleaner Chimneys

REGISTERED CHIMNEY SWEEPS

Certificates Issued, HETAS approved
Buy with Confidence Approved Trader
Stoves, ranges, open fires swept
Traditional and Power Sweeping
CCTV surveys and tar reduction services

Paul and Elly Clements 01489 578541 or 07540 841022

www.cleanerchimneys.co.uk

CORE STRENGTH
FLEXIBILITY
FLAT STOMACH
JOINT MOBILITY
REDUCED STRESS
TONING
IMPROVED POSTURE

PILATES

PILATES

CARRIE MANDLEY RGN
PILATES INSTRUCTOR
PHONE 07854 413352

R.A. Redman

PLUMBING, HEATING & SOLAR ENGINEERS

Family run business • Free quotations
Gas, LPG and oil boiler servicing, installation and breakdowns
Bathrooms, kitchens and underfloor heating
Powerflushes • Disability installations

02380 476340 / 07590 229935

www.raredman.co.uk • contact@raredman.co.uk



WOODPECKERS, ALLINGTON LANE, WEST END, SOUTHAMPTON, HAMPSHIRE SO30 3HP

Some simple things you can do at this time of the year to support wildlife in your gardens



1 Ponds Male frogs often spend winter in the muddy depths of ponds, breathing through their skin. But if the pond freezes over, gases caused by decaying plant material can get trapped and poison them. Remove debris from ponds now, and float a tennis or golf ball on the surface to prevent ice from sealing it.

2 Twigs Put bundles of twigs at the back of borders, or in a plant pot on its side, where invertebrates and small mammals can shelter.

3 Borders Leave herbaceous borders intact in winter so decaying plants can act as a 'winter duvet' for small mammals and insects. Clumps of ornamental grasses may offer the perfect hibernaculum for a hedgehog, while hollow plant stems and seedheads provide nooks and crannies for invertebrates. Seedheads are also a source of oil-rich food for birds which may visit to feed

4 Plant pots Leave stacks of plant pots in a sheltered spot to offer shelter for bees and other insects needing a cool, dry place.

5 Sheds Some butterflies overwinter as adults and will enter our homes in autumn, where they find conditions cool and dry. However, when the central heating is turned on they wake up and expend energy flying around. If you find a butterfly inside your home, transfer it to your shed or garage, where temperatures

will remain constant. Use an empty shoe box to move it, keeping the lid on until it has settled down. Make sure it can exit safely in spring, via a window or door.

6 Leaves Remove leaves from paths or lawns but transfer them to a corner or beneath a hedge, where hedgehogs and other animals can crawl for shelter.

7 Compost heaps A variety of species, including hedgehogs and queen bumblebees, find compost heaps the perfect place to hibernate. If your heap is in a plastic bin with a lid, this will keep it dry, but be sure to provide access for hibernators at the base by standing the bin on bricks. If you have an open bin, cover it with a thick piece of old carpet to keep it dry and insulated. Avoid disturbing the bin between autumn and April, when all species will have finished their long snooze. Or go online to make a Hedgehog house e.g The Woodland Trust web site <https://www.woodlandtrust.org.uk/blog/2019/08/how-to-make-hedgehog-house/>

8 Indoors Like butterflies, ladybirds may choose to overwinter in your home and will be disturbed by the heating coming on. As they hibernate in large groups, it may be best to leave them alone and if you can, leave the room unheated. If not, using a dustpan and brush, tip them gently into an empty box and move them to the shed.

9 Nest boxes Birds don't hibernate and they require a lot of energy to keep themselves warm at night. Clear out nest boxes now so that birds can take shelter in them on cold nights.

10 Lofts Take care if paying a visit to your loft in winter, as you may disturb hibernating bats, ladybirds or butterflies.

Vicki Weston



RBL Droxford & District Branch

70 years ago...



HMS COMUS

... Less than 5 years from VJ-Day, Britain was at war again. The Allies had divided the Japanese colony of Korea at the 38th Parallel; North Korea under Soviet and Chinese influence with the independent Republic of (South) Korea supported by much of the rest of the world.

Initially thought to be an exercise, some 100,000 troops of the Korean People's Army (KPA) invaded South Korea. A hastily assembled UN force led by USA and UK was overwhelmed by the KPA, retreating to the Pusan Perimeter. An amphibious counterattack at Inchon in September cut off many KPA troops and, with the support of 21 nations under US General Douglas MacArthur, the invaders were driven back to the Yalu River on the border with China. In October 1950, an alarmed Chinese government responded by committing hundreds of thousands of men to the conflict. Eventually, the fighting reached a stalemate on the 27th July 1953 at the 38th parallel where it had started three years before. An armistice was agreed but the war has still not been formally concluded. Six million lives were lost, mainly civilians with 1,078 British Servicemen killed in action.

Newtown veteran and RBL member, Commander Charles Wylie OBE Royal Navy, was then a Boy Seaman 1st Class in *HMS Comus*, a 'Co' class destroyer. At 1,710 tons and capable of 36 knots, she had used her 4.5-inch guns to bombard the coastal railway line which carried supplies to the KPA. On the 23rd August 1950, *HMS Comus'* Captain (Lieutenant Commander R A M Hennessy

LVO DSC Royal Navy – a former Droxford resident) ordered "FULL AHEAD BOTH ENGINES - HARD A-STARBOARD!" and four 500lb bombs dropped by two Russian-built Ilyushin 2 fighter-bombers hit the sea on the port side. His prompt action saved the lives of 185 out a ship's company of 186, and his ship from certain destruction. In Cdr Wylie's own words:

"During the Morning Watch I was at my Defence Station as an ammunition supply number to the twin 40 mm Bofors mounting amidships. As the enemy aircraft dived at us from astern, I was interested to watch them and intrigued by the sparkling of their wings. A few seconds later, when machine gun bullets and 20 mm cannon shells were spraying all around me, I dived for cover - behind ready-use lockers filled with graze-fused Bofors shells. I thought I was a hero for having survived. The ship's real heroes were in Number 1-Boiler Room. One of the bombs that missed the ship blew a hole in the ship's side some 6 feet long and 2 feet high, killing Leading Stoker Jimmy Addison. Leading Stoker John Banister now found himself up to his neck in sea water in the dark, and suddenly in charge of a nasty situation. The boilers would have exploded and blown the ship in half, but he quickly isolated his boilers from the adjacent No 2-Boiler Room and vented off the steam. Subsequently he supervised shoring up bulkheads to prevent their collapse. He was gazetted for a well-deserved Distinguished Service Medal which he received from King George VI at Buckingham Palace".

Leading Stoker Jimmy Addison was buried at sea on the day after the action and, traditionally, his kit was auctioned to raise money for his next-of-kin. *HMS Comus* limped back to Kure in Japan. (See poem written by Charles Wylie dedicated to Jimmy Addison on facing page).

A full programme of RBL events is planned for next year. These will be subject to Covid-19 restrictions, but it is hoped that meetings will be held virtually via Zoom if it is not possible to hold them live. Non-members are welcome to join us. For further details see www.soberton.org/rblweb.



The RBL Droxford & District Branch is always looking for new members, both Service and civilian, to help keep remembrance alive and support our Servicemen and women, veterans and their families. For more information or to join us, please contact the Secretary – Cdr Rob Scott RN at robmunroscott@aol.com or 01489 877800. www.soberton.org/rblweb.

KIT AUCTION IN HMS COMUS - KOREA 24th AUGUST 1950

Dedicated to Leading Stoker Mechanic Jimmy Addison (deceased) and his watch-mates, Leading Stoker Mechanic John Banister DSM and Stoker Mechanic Billy Moss. All three were in No. 1 Boiler Room when a bomb dropped by enemy aircraft exploded alongside and blew a huge hole in the ship's side, resulting in the death of Jimmy Addison and the near death of the other two. John Banister's quick thinking while in peril of his life led him to shut down the boiler and disconnect it from the No.2 boiler. This single action was a major factor in saving the ship. As a result, everyone on board except Jimmy lived to tell the tale. Jimmy was buried at sea on the day after the action, and his kit was auctioned in the traditional way. My wife, our four children and their spouses, and our nine grandchildren all owe our wonderfully rich and fulfilled lives to John Banister, God bless him. He was gazetted for the DSM (Distinguished Service Medal) and was invested by King George VI.

Was it only yesterday that the ship was bombed so badly?
Was it only yesterday that Jim was killed so sadly?
And now today, we've saved the ship, and we're limping to dry dock.
Today we're doing mundane things to relieve the numbing shock.

The pipe is made 'D'ye hear there? There'll be an auction soon,
In the after Stokers' Messdeck, ten minutes after noon.'
The Coxswain's cleared Jim's locker and saved his precious bits
To send home to his missus to try to save her wits.

Now all that's left is Pusser's kit, his jumper and his shoes,
His toothpaste and his razor blades, his tropicals and blues.
'How much this tube of toothpaste?' The bids come thick and fast,
Until they get ridiculous and peter out at last.

"Twenty quid for toothpaste, not even to my taste.
You'd better put it in again; it mustn't go to waste."
Three times we bid, three times it sold, it found a home with Bill,
And on we moved to socks and vests and bought them with a will,
Until we'd nine months' wages to send home to his wife,
Until each turned and sighed and left to get on with his life.

I could not remember whether Jimmy Addison was married, so I allowed myself some poetic licence about that. Subsequently, at a Trafalgar Night Dinner in Kendal, with the Royal Naval Association, I was given an account written by John Bannister DSM, member of the Nottingham Branch, RNA. I had the honour of meeting him again at his home, to pay my respects. Three of my grandchildren wrote him a letter thanking him for his professionalism and bravery and 'for saving grandpa's life.'

Charles Wylie (Newtown veteran and RBL member, Commander Charles Wylie OBE Royal Navy)



MEON VALLEY

Currently our indoor meetings are suspended until at least January 2021 due to Covid-19. We are now holding our meetings via Zoom. Members will be sent a link to join the session a few days before, and we look forward to more of you taking part. On the 1st December we hope to have a presentation on an Egyptian theme from our Chairman Mike Hollis. On 15th December instead of our usual pre-Christmas buffet and talk we can 'meet' via Zoom and exchange greetings. If you have an interesting object to show us, either for us to guess what it is or to tell us why it is important to you that would be appreciated. Zoom meetings for January will be on the 5th The Cold War by Dennis Boylan, on the 19th Harvey Griffiths on Charles II and Nell Gwynn. Hopefully this time this will Please bear in mind that the subject of these meetings can change without notice. Wishing you all a Happy Christmas and hoping 2021 be brighter for us all and we can meet at the Wickham Centre again.

Due to the current lockdown restrictions some groups are not active though Egyptology continues using Zoom and others via email.

Membership renewals have been postponed until January. Meon Valley U3A is one of the smallest U3As with a membership of over 100 people and has nine interest groups. If you are interested in joining please use one of the contact details below.

General enquiries to: Betty Hiscock, Secretary 01489 894807 or 07766522464.

email: mvu3asec@yahoo.com

Website: u3asites.org.uk/meon-valley

Meon Valley Baby Bank

Hello Everyone,
I'm writing to tell you about an exciting new mission we have started at St Peter's Church, "**The Meon Valley Baby Bank**"! I know there are lots of baby banks in the surrounding towns and I really believe there is a need for one to serve our local communities.



Our mission at the Meon Valley Baby Bank will be to provide clothes for babies and children up to the age of 4 and essential baby care items to all families who would like to use our service. It is important for us to welcome everyone, regardless of circumstance. We will also liaise with family and child care agencies, such as the Local Health Visitors, Home Start and our local churches..

The '*Meon Valley Baby Bank*' is to be church led and therefore we are keen for as many local churches as possible to be involved. So families across the Meon Valley will feel supported by the Love of Christ from across the denominations.
Hence "**Meon Valley Baby Bank Churches Together**"

It would be so wonderful if we are able to work together in 2 main ways:

1. To spread the word in our communities, particularly emphasising that we welcome everyone to use the Meon Valley Baby Bank,
2. Gathering donations on an ongoing basis.

I really do feel that God is at the heart of this and the response I have had so far has been so incredibly welcoming and positive!

Some general points to add:

Initially it will run on the first Thursday of every month and will be at The Stables in Bishops Waltham between 10 and 11:30.

Donations we can accept are:

**Clothing for babies and children up to the age of 4.
Essential baby care items (baby wipes, nappies, nappy cream/ sacks).**

I have created a Facebook page:

@meonvalleybabybank.

If you are interested in playing a part then please do get in touch. My email is: hannahhorner@gmail.com and phone number is 01489 896003

Looking forward to hearing from you.
With love and prayers,
Hannah x

Meon Valley Heartstart Founder recognized in Queen's Birthday Honours

David Williamson, founder of Meon Valley Heartstart has been awarded the British Empire Medal in the 2020



Queen's Birthday Honours, in recognition of long-standing service to the community of Bishop's Waltham.

It was on his retirement from a distinguished 33 year career with the Ambulance Service in 2000 that David turned his efforts to community health initiatives. From his experience in the Ambulance Service he had seen firsthand the importance of early intervention in saving lives in emergency health situations. He was convinced that the widespread provision of free training to teach people the basics of emergency life saving techniques would make a real difference.

So in 2000, he developed Meon Valley Heartstart, going live in 2001. Affiliated to the British Heart Foundation, Meon Valley Heartstart provides free education and training programmes on how to save lives and since its inception has trained over 25,000 people - members of the general public, community groups and school children of all ages. This is all done by volunteer effort. David is still very involved in the Scheme, coordinating its activities, doing hands on training and acting as the scheme's Ambassador.

Meon Valley Heart Start Chairman, Gary Ford in speaking about David's award said "This recognition of David's contribution to his local community is fantastic. We are delighted for him. His hard work, determination and dedication to the Heartstart Scheme is without doubt what has made the scheme the success it is today. His passion, compassion, enthusiasm, drive and willingness to help anyone make David a stand out individual in the communities he serves".

David's award is also recognition of the role he played in starting a Community First Responder's Scheme in Bishop's Waltham. *Community First Responders* are volunteers who are trained to attend emergency calls received by the ambulance service and provide care until the ambulance arrives. David was not only the original inspiration; he has led the scheme and acted as a responder himself.

On receiving the award David said "This is an enormous honour and I am very overwhelmed to be a recipient of an award on the Queen's Birthday List. It came completely out of the blue, so much so that when I first received the notification, I initially thought it was a scam. But seriously the award, while given to me, is in recognition of the tremendous work that is done by teams of people. I couldn't have made a difference here in Bishop's Waltham without the fantastic teams of people ready to join in and work with me, so this is as much recognition for them as it is for me".

Meon Valley Lions



Making a big difference

Meon Valley Lions secured funding of £4,395 from a generous benefactor to buy a Smartdrive 'Power wheel add on' to power up the wheelchair of a young lady in Bishops Waltham, this is life changing.

More help for the little people Meon Valley Lions Club is proud to support and sponsor the new Meon Valley Baby Bank based in Bishops Waltham.

Santa and his Elves Sadly, Santa and his elves are unable to help this year, but we will be out on the streets taking donations. So, if you would like to help us help our local community, please keep an eye open for us. Or if you, or someone you know, needs help please get in touch.



TELEPHONE: 07443 753780

To donate: See our website

<https://www.meonvalleylionsclub.org.uk/donate.html>

TEXT DONATION: Simply text LIONS to 70490 to donate £3 OR if you would like to donate between £1 and £20 text LIONS followed by your donation amount e.g. to donate £5 text LIONS 5 or to donate £10 text LIONS 10.

PLEASE HELP US SUPPORT OUR LOCAL COMMUNITY

DATES FOR YOUR DIARY

Swanmore Fete 2021 - We'll keep you updated on our website but in the meantime please add next year's date to your diary: Saturday 10th July 2021.

Annual Ford Charity Fishing Festival 2021 – We're sorry to report this has been cancelled for 2021.

Update - MUSIC & FIZZ

All being well Music & Fizz will now take place 364 days late, on 26th June 2021. A dedicated website www.musicandfizzinthehampshirehills.co.uk (when formatted) will provide up to date information.

Wessex Cancer Trust, who provide care and support locally seemed an alternative charity to benefit, following the closure locally of Breast Cancer Haven (Wessex).

MUSIC & FIZZ IN THE HAMPSHIRE HILLS WITH

Beverley Craven

HAMBLETON VINEYARD
HAMPSHIRE ENGLAND
SINCE 1952

Saturday 26 June 2021
Music from 5pm til Sunset
Tickets from £40 (plus fees)

see tickets.com
Scan the QR Code!

plus performances by
iwyo & JOSE FLORENCE

BRIT Award winning singer-songwriter Beverley Craven best known for her UK hit single *Promise Me*, headlines this charity fundraising event for the benefit of Rowans Hospice Charity and Wessex Cancer Trust. Also performing will be the Isle of Wight Youth Jazz Orchestra and singer Josie Florence.

Hambleton Vineyard are very generously hosting this event with the setting, in the open air vines and overlooking the South Downs, this is set to be a glorious event where you are welcome to bring a picnic, soft drinks and to soak up the atmosphere. Hambleton Vineyard are kindly providing a licensed bar. Food will be available. Proceeds from the tickets, bar and food will be going to the chosen charities. For further details, please email info@musicandfizzinthehampshirehills.co.uk

In support of
WESSEX CANCER TRUST & Rowans HOSPICE CHARITY

See TICKETS
hambletonvineyard.co.uk
beverleycraven.com

This event has only been possible with the generosity of those performing, the Vineyard and generosity of others involved



SOBERTON PARISH COUNCIL

including Newtown, One Hundred Acres, Hoegate, Soberton Heath, Kingsmead, Brockbridge and Soberton

Local Hero's Award

Presented by the Mayor of Winchester your Parish Council has received the 'Local Hero Award' on behalf of all in the Parish who were active in helping others during this current crisis. We all know those among us who have actioned, coordinated, driven and encouraged those less fortunate than themselves during this past year. This Parish wide award is for you, congratulations and thank you.



Remembrance Day 2020

We thank the local branch of the Royal British Legion for organising the ceremonies held at the Parish War Memorials, the Lychgate, Holy Trinity Church, Newtown and the Cross, High Street, Soberton. The one held at Soberton may be viewed on line via the Parish Facebook Page and Soberton Echo, the one at Newtown was in too close a proximity to the school to be filmed.

The Lychgate at Holy Trinity Church, Newtown

This was built by the people of Newtown as a memorial after WW1. The structure has become unstable and has subsided; after a structural survey the Parish Council has now instructed contractors to reconstruct the structure on new foundations. As the Lychgate is not recognised by the Memorials Commission and no grants are available - funding for the work will be met by the Parish Council.

The Village Pond, Chapel Road, Soberton Heath

There has been concern expressed that the water level had dropped towards the end of the summer. However, since then it has rained (quite a lot) and

the aquifer is filling, levels are rising. The pond was the subject of a hydrological appraisal commissioned by the Parish Council in June 1999; see an extract below which helps our understanding of the ponds fluctuating level recently:

"The surface of the water within the feather edge of the terrace gravels is likely to be nearer to the surface than elsewhere and so if you wanted to dig a pond, this is the easiest place to dig one. This is because the water table is higher in relation to the ground surface and you will not have to dig so deep. The location at the junction of several roads is also convenient and suggests that the pond had a communal function when first dug (as today).

The volume of water in the surface aquifer, and its rate of flow towards the pond, will vary with rainfall and the level in the pond would be expected to rise and fall with the seasons. Summer evaporation may also reduce summer levels in the pond if the rate of flow into the pond is low."

Hedges, Ditches and Water Courses

Every year we remind landowners that roadside hedges should be cut back in anticipation of next spring's growth. In the summer we remind landowners to maintain, clear and jet out etc. ditches and culverts. Flooding in our villages is usually caused by the lack of capacity or blockage in the ditches and drainage channels. The difficulty here is that the flooding usually effects those upstream (the flood water backing up). It is very important that we all check that the water is flowing properly through our own ditches/culverts and if not take immediate action to assist the flow. Hampshire Highways take this responsibility very seriously and attend areas where flooding occurs on the roads. The difficulty we have in the Parish is that a great number of our lanes/roads are not the Highways Authorities responsibility, generally this is where property ownership runs up to the tarmac road. Roadside ditches in many of these roads and lanes have been culverted to allow access to driveways etc. It is the responsibility of the landowner to maintain the water flow along the ditch. If you have difficulties with any drainage issue do contact the Parish Clerk and we will help if we can.

John Hyland
Chairman

New Garden Waste Service



The new garden waste collection service starts on **1 February 2021** (until 29 January, garden waste collections and the green bag system will operate as normal).

Residents will have the option to purchase a new garden waste bin at an annual fee.

The annual fee is:

- £59 for a standard size bin
- £39 for a smaller bin
- The standard sized bin (240l) is 1m high, 70cm deep and 60cm wide (jpg, 2mb) (Equivalent to 2.7 of the current garden waste bag)
- The smaller bin(140l) is 1m high, 55cm deep and 50cm wide. (jpg, 2.4mb) (Equivalent to 1.6 of the current garden waste bag)

Residents will need to sign up for the garden waste service. You can now sign up to the new Garden Waste service. Please follow the instructions below on how to purchase the service.

<https://www.winchester.gov.uk/waste-recycling/garden-waste-collection-sign-up>

Once you have purchased the service the aim is to begin delivering the bins before the end of November. You will be able to use them as soon as you get them.

The free bag collection service will stop when the new service is introduced.

After the new service is introduced, waste will only be collected from those that subscribe to take part, and pay the annual fee for the collection. The collection

day for garden waste bins will not change and will continue as detailed on your collection calendar from 1 February, but only households who subscribe will receive the service.

You can keep your existing bag to move material around your garden, but **collection will only be made from the new bins**, unless you are from a (council approved) property which is not able to receive one. There are some council approved locations where for operational reasons there is not room for an additional bin, which will continue to operate with a bag collection, but on the same charged for basis as above.

However, if you have a council approved bag system for your current residual waste or recycling service because of accessibility issues, or the type of house frontage that you have, you will be able to continue with a bag system, but you will have to pay for the collection - £39 for up to two bags (equivalent to smaller bin), and £59 for up to three bags (equivalent to standard bin).

You are able to share the bins with a neighbour if you want to reduce your individual cost, but we will need a single point of contact from whoever is the lead neighbour.

If you currently receive an assisted collection and sign up to the new service, you will continue to receive an assisted collection.

The service will give significant increase in capacity over the current bags and mean that the waste is easier and safer to move, will not be blown away and lost, as is common with the bag system, and keeps the green waste material dry. Compost will continue to be processed in the same way as present, being turned into PRO GROW organic soil conditioner which is for sale on-line or at HWRCs.

Unlike many local authorities that run this type of scheme, we are not asking for you to purchase the bin, this is included in the annual cost. All Winchester residents can get special offers on Composters and Water Butts.

Your councillors wish all residents a Happy Christmas and New Year despite challenging times we are experiencing.

Keep yourselves and your families safe through these tough times.

Vicki Weston Vweston@winchester.gov.uk
Frank Pearson Fpearson@winchester.gov.uk
Linda Gemmell Lgemmell@winchester.gov.uk





Families in Need

Hampshire County Council has worked with partner organisations to distribute £150,000 of funding to support food banks and charities that are helping support the most vulnerable families in Hampshire. In addition, I have donated £2,000 of my Councillor grant budget towards helping local families who need support with buying food and other essentials during these very difficult times. Any vulnerable family in need of support with food at this time can visit the Hampshire County Council webpages - www.hants.gov.uk - where they will find local contact details for their nearest source of support.

Stop Press Central Government has, within the last few days, allocated a further sum of money to local authorities and £2.89 million of funding will come to Hampshire as part of Government's £170 million winter funding package heading to Councils across the country, to help support the most vulnerable children and families - including providing free meals to disadvantaged children during the Christmas holidays.

The Covid Winter Grant Scheme funding will support children, families and the most vulnerable over the season, while the Holiday Activities and Food programme will be extended to cover the Easter, summer and Christmas breaks in 2021. Healthy Start payments from Government, which help expectant mothers and those with young children on low incomes and in receipt of benefits to buy fresh fruit and vegetables, are also set to increase from April 2021.

While much of the focus to date has been supporting families whose children are eligible for free school meals, we will be exploring the possibility of extending the assistance to families of children being supported by a social worker, and those where we are delivering *early help* interventions to prevent families reaching social crisis. Staff in my Department are now working extremely hard to establish a fair system of funding distribution and we will launch an extensive media campaign as soon as we can to ensure that families get the help they need and no child goes hungry. Please watch the Hampshire County Council web site for updates - www.hants.gov.uk

Kickstart Scheme

Hampshire County Council has committed to actively support the national Kickstart scheme with plans to offer a minimum of 30 job placements across the organisation for young people aged 16 to 24 years. From November 2020 until June 2022, the County Council's Kickstart programme will offer six-month job placements of 25 hours a week across the organisation. Young people will be supported with work-related training and helped to develop their employability skills, while receiving the National

Minimum Wage. To reach those young people who will benefit most from these placements, the County Council's Skills and Participation Team will be working closely with Department for Work and Pension (DWP) Work Coaches. Any business, no matter how small, can get involved. If you would like more information about how to participate please email: kickstart@hants.gov.uk

Active future for Hampshire

The County Council welcomed 130 delegates to an online summit to help shape the County's green and healthy recovery from the COVID-19 pandemic. Representatives from district, parish and town councils, local enterprise partnerships, walking groups, cycling groups, access forums, town and transport planners and many others with an interest in how Hampshire's streets work for people walking and cycling attended the summit to share ideas and expertise.

The summit followed a county-wide survey of the public's opinions on active travel, to which nearly 3,000 people responded. The survey gathered views and experiences from Hampshire residents on what it is like to walk, scoot, cycle, use a wheelchair, mobility scooter or a pushchair for day-to-day journeys to work, school or the shops. Evidence and feedback from the summit and the survey will be used to inform the County Council's Local Transport Plan which will guide future investment and decision making within the County Council in relation to transport.

Amongst the World's best Green Spaces

Three of the County Council's country parks are officially among the best in the world, with each of them awarded the internationally recognised Green Flag for 2020. The international quality mark is a sign to the public that Lepe, Queen Elizabeth and Royal Victoria country parks boast the highest possible environmental standards, are beautifully maintained, and have excellent visitor facilities. Royal Victoria Country Park, which the County Council manages in partnership with the Forestry Commission, has also received the much-coveted Green Heritage Site Accreditation for the management of its historic features. The Green Flag Award scheme, managed by environmental charity Keep Britain Tidy under licence from the Ministry of Housing, Communities and Local Government, recognises and rewards well-managed parks and green spaces, setting the benchmark standard for their management across the United Kingdom and around the world.

The County Council is investing extensively in its Country Parks to make them even more enjoyable, with projects that have collectively attracted nearly £7 million in external funding, as part of a £19.5 million total spend. Significant improvements have already

been made to facilities and historical features at Lepe, Royal Victoria and Queen Elizabeth country parks and transformation work at Staunton and River Hamble country parks, such as providing new and improved visitor centres, is well underway. The County Council did not submit Staunton and River Hamble country parks for this year's Green Flag Awards due to the development works taking place.

National recognition for Environmental Sustainability

Hampshire Highways' commitment to reduce carbon emissions and mitigate against the impact of climate change has been recognised in the 2020 shortlist for Highways Magazine's Environmental Sustainability Award. It comes as Hampshire's highways service launches a four-year Carbon Strategy outlining how carbon emissions will be reduced in all highways operations

The Strategy sets out what adaptations are needed to the highway network as changes in the climate bring more intense, heavy rainfall and periods of hot weather. It details how Hampshire Highways will reduce carbon emissions in all day-to-day operations including maintenance works, energy use in buildings and depots, vehicles and fuel – all with regular and robust measurement.

Meals on Wheels

I would like to remind residents that the meals on wheels services is still operating and continues to provide essential nutrition and social contact for its users, especially the elderly or infirm, during the Covid-19 pandemic and national lockdown. The service offers hot meals to adults aged 18+ years who need support with meals and managing their nutrition. Please note that in response to the impact of Covid-19, eligibility criteria has been temporarily broadened to include those who people are under 55 years, classed as highly vulnerable to the virus, unable to leave the house and unable to reheat a pre-prepared meal.

The County Council's Meals on Wheels service is Covid-secure – with all meals delivered by Apetito drivers in line with national public health advice, including wearing the required personal protective equipment. The delivery comprises a two-course hot lunchtime meal, with an additional option of afternoon tea. The current cost is £5.13 for the two-course meal and £3.25 for the tea.

Meals on Wheels drivers are trained to carry out a wellbeing check in addition to the delivery of the meal. This ensures that wellbeing and safety concerns are identified, and action taken in a timely way. Drivers report concerns to the relevant Hampshire County Council team or call for emergency services where necessary. For more information see

<https://www.hants.gov.uk/socialcareandhealth/adultsocialcare/meals-on-wheels>

Money Worries

Find out where to get help and support on rent arrears, debt and budgeting in Hampshire during the coronavirus. See Connect to Support – the Money Worries section – visit <https://connecttosupporthampshire.org.uk/coronavirus>

How to Save Money in Winter

Nearly 24% of Hampshire's total carbon emissions come from domestic energy, and energy bills are a significant outgoing for most households. This is why the County Council has joined forces with the Environment Centre to make it easy for Hampshire residents to save money at the same time as contributing to the overall carbon reduction target for the whole of Hampshire.

As well as advice on energy bills, Hampshire residents can find out more about renewable energy options, switching to a green tariff or saving water from the Environment Centre. This is a free service for Hampshire residents, who can access advice by calling: 0800 804 8601 or going online: <https://environmentcentre.com>

Advice is also available on the Green Homes Grant scheme, launched by the Government in September 2020, which allows homeowners and landlords in England to apply for vouchers to pay for green improvements, such as insulation and draught proofing. The grant covers two-thirds of the cost up to £5,000 per household. For households on low incomes, the scheme can fully fund energy efficiency measures of up to £10,000. For more information visit <https://www.hants.gov.uk/landplanningandenvironment/environment/climatechange>

Useful Contact Information

The Silver Line – a free, confidential helpline providing information, friendship and advice to older people. Open 24 hours a day, every day of the year. Call Freephone 0800 470 8090

Mental Health and Dementia Support – Andover Mind is a local mental charity offering mental health, one-to-one support and counselling. Also offers Dementia Advice and Carers Support. Contact their referral and enquiries team on 01264 332297 and select option 3 or ring 0300 5000907.

And, finally

I know that these are very difficult times for everyone and, at the time of writing this report, no-one knows whether or not we will be able to share the Christmas and New Year festivities with our family and friends. However, I very much hope that it will be possible and send you all good wishes for a happy and healthy festive season.



Patricia Stallard

Lead Executive Member for Children's Services & Young People
Hampshire County Council
Divisional Member for Winchester Southern Parishes
pgstallard@aol.com / 02392 251484

Meon Valley Community Bus Association

NOTES:-

- For more details and suggested stops please contact:-
John Shorrocks ☎ 01489 877499
✉ john.shorrocks@btinternet.com
- The bus does not run on Christmas Eve, New Year's Eve or Bank Holidays.
- Fares to all destinations are £5 adult return / £2.50 adult single. Free bus passes are accepted. Children under 16 pay half fare and under 5s travel free.
- On Mondays & Wednesdays at 1058 the bus will take passengers at Sainsbury's to Fareham Library and at 1102 from Fareham Library to Sainsbury's.
- Timings for all trips are strict and the bus will not wait after scheduled time.
- When boarding for the return journey, priority will be given to returning passengers over "one way only" passengers.
- Dogs are allowed on the bus under strict control and at the discretion of the driver.
- If you don't live directly on the route, then why not consider "Park & Ride" from Droxford Square, Soberton Village Hall or Rookesbury Hall?
- When not on its scheduled services the bus is available for hire, but it must be driven by a MIDAS trained driver. Persons or Organisations wishing to hire the bus should contact:-
Ken Giles ☎ 01329 830355
✉ hire.mvcba@gmail.com

**Monday and
Wednesday to
Fareham**

**Thursday to
Whiteley Shopping
Centre
or Hedge End Marks &
Spencer**

**Friday to
Winchester,
Waterlooville or
Petersfield**

**See timetable below
for more details**



The Meon Valley Community Bus Association runs regular timetabled services – see below.

The drivers and organisers of the Association are all volunteers.

Mondays and Wednesdays to FAREHAM

0900 West Meon Thomas Lord PH
0903 Warnford Village Hall
0908 Exton The Shoe PH
0910 Meonstoke PO & Stores
0914 Meonstoke Pound Cottages
0919 Droxford Square (PARK & RIDE)
0923 Brockbridge The Hurdles
0927 Soberton Village Hall (PARK & RIDE)
0931 Webbs Green War Memorial
0934 Soberton Heath Chapel Road pond
0936 Soberton Heath Bold Forester PH
0938 Newtown Rookesbury Hall (PARK & RIDE)
0943 Hundred Acres
0955 Fareham Library
1000 Fareham Sainsbury's

Return:

1200 Fareham Sainsbury's
1205 Fareham Library

1st & 3rd Thursday Each Month to HEDGE END

0900 West Meon Thomas Lord PH
0903 Warnford Village Hall
0908 Exton The Shoe PH
0910 Meonstoke PO & Stores
0914 Meonstoke Pound Cottages
0919 Droxford Square (PARK & RIDE)
0923 Brockbridge The Hurdles PH
0927 Soberton Village Hall (PARK & RIDE)
0931 Webbs Green War Memorial
0934 Soberton Heath Chapel Road pond
0936 Soberton Heath Bold Forester PH
0938 Newtown Rookesbury Hall (PARK & RIDE)
0943 Hundred Acres
1005 Hedge End Marks & Spencer

Return:

1200 Hedge End Marks & Spencer

2nd & 4th Thursday Each Month to WHITELEY

0900 West Meon Thomas Lord PH
0903 Warnford Village Hall
0908 Exton The Shoe PH
0910 Meonstoke PO & Stores
0914 Meonstoke Pound Cottages
0919 Droxford Square (PARK & RIDE)
0923 Brockbridge The Hurdles
0927 Soberton Village Hall (PARK & RIDE)
0931 Webbs Green War Memorial
0934 Soberton Heath Chapel Road pond
0936 Soberton Heath Bold Forester PH
0938 Newtown Rookesbury Hall (PARK & RIDE)
0943 Hundred Acres
1009 Whiteley Shopping Centre

Return:

1200 Whiteley Shopping Centre

1st & 3rd Friday Each Month to WINCHESTER

0900 Soberton Village Hall (PARK and RIDE)
0904 Brockbridge The Hurdles
0907 Droxford Square (PARK and RIDE)
0913 Meonstoke Pound Cottages
0917 Meonstoke PO & Stores
0919 Exton The Shoe PH
0924 Warnford Village Hall
0944 Winchester Broadway
0951 River Park Leisure Centre

Return:

1155 River Park Leisure Centre
1200 Winchester Broadway

4th Friday Each Month to WATERLOOVILLE

0900 West Meon Thomas Lord PH
0903 Warnford Village Hall
0908 Exton The Shoe PH
0910 Meonstoke PO & Stores
0914 Meonstoke Pound Cottages
0919 Droxford Square (PARK & RIDE)
0923 Brockbridge The Hurdles
0927 Soberton Village Hall (PARK & RIDE)
0931 Webbs Green War Memorial
0934 Soberton Heath Chapel Road pond
0936 Soberton Heath Bold Forester PH
0938 Newtown Rookesbury Hall (PARK & RIDE)
0955 Waterlooville Waitrose
1001 Waterlooville Sainsbury's

Return:

1200 Waterlooville Sainsbury's
1205 Waterlooville Waitrose

2nd & 5th Friday Each Month to PETERSFIELD

0900 Soberton Village Hall (PARK and RIDE)
0904 Brockbridge The Hurdles
0907 Droxford Square (PARK and RIDE)
0913 Meonstoke Pound Cottages
0917 Meonstoke PO & Stores
0919 Exton The Shoe PH
0924 Warnford Village Hall
0945 Petersfield Waitrose

Return:

1200 Petersfield Waitrose

USEFUL INFORMATION

Any additions or changes, please contact the editor

USEFUL NUMBERS			LOCAL CLUBS AND INTEREST GROUPS		
Beat Surgeries (tbc)	Rookesbury Hall	Alternate Fridays 10:00 to 12:00	Brownies & Guides	Caroline Rogers	01489 877430
Doctors Surgeries	Droxford Wickham Denmead Bishops Waltham	01489 877588 01329 833121 02392 239630 01489 892288	Film Club	Lyndon Palmer	01489 896862
Baby Clinics	Wickham Comm.Centre Waltham Chase Village Hall	1st Wed 2.00-3.00 4th Wed 10 – 11:30	Local History	Duncan Colin-Jones	01489 877237
Social Services Direct		0845 600 4555	Soberton Football	Keith Moran	01329 834897
Hants Carers Helpline		08457 221122	Soberton Players	Susan Hyland	01489 878724
NHS Direct		111	Table Tennis	Pete Woodacre Adrian Hunt	01489 877768 01489 878141
Age Concern	Head Office	0800 328 7154	Ladies Group	Liz Whales	01489 877712
CAB		01489 896376	Good Neighbours Group	Sue Mussellwhite Philomena Bergin	01489 877282 02392 632551
LOCAL FACILITIES			COUNCILLORS		
Soberton Village Hall Booking	Katie Flannagan	07850 569548	Central Meon Valley Councillors	Frank Pearson Vicki Weston Linda Gemmell	01489 892822 01329 835161 01489 895023
<i>sobertonvillagehall@googlemail.com</i> <i>www.sobertonvillagehall.co.uk</i>			County Councillor	Patricia Stallard	02392 251484
Rookesbury Hall Booking	Jenny Doney	01329 834392	SOBERTON PARISH COUNCIL <i>www.soberton.org</i>		
<i>Bookings@rookesburyhall.co.uk</i>			John Hyland Chairman	Northern Ward chair@soberton.org	
Guide Hut Booking	Mrs. C. Rogers	01489 877430	Jane Masterman Vice-Chairman	Southern Ward vicechair@soberton.org	
CHURCHES			David Salmon	Southern Ward 01489 878659	
Newtown Church Wardens	Fra Wells Barry Rowswell	01329 834130 01329 834671	Bob Stranks	Southern Ward robert.stranks@btopenworld.com	
Soberton Church Wardens	Louise McEwen Norman Chapman	01489 877448 01489 877378	Arabella Turner	Southern Ward arabellavturner@gmail.com	
PCC Secretary(N)	(Acting) Barry Rowswell	01329 834671	Neil Findlay	Northern Ward littlemeadsneil@googlemail.com	
PCC Secretary(S)	Norman Chapman	01489 877378	Wendy Prangnell	Northern Ward wprangnell@aol.com	
Capt. Of Bells(S)	Noel Evans	01489 877271	Clerk and Proper Officer Jenny Clarke	clerk@soberton.org 01489 877836	
Churchyard Keeper (S)	John Lester	01489 878557			

Please e-mail copy for the magazine to gill.highcroft@btinternet.com

NEXT COPY DATE - 18th JANUARY 2021

We wish all our friends in Soberton and Newtown
a very Merry Christmas and a Happy New Year

